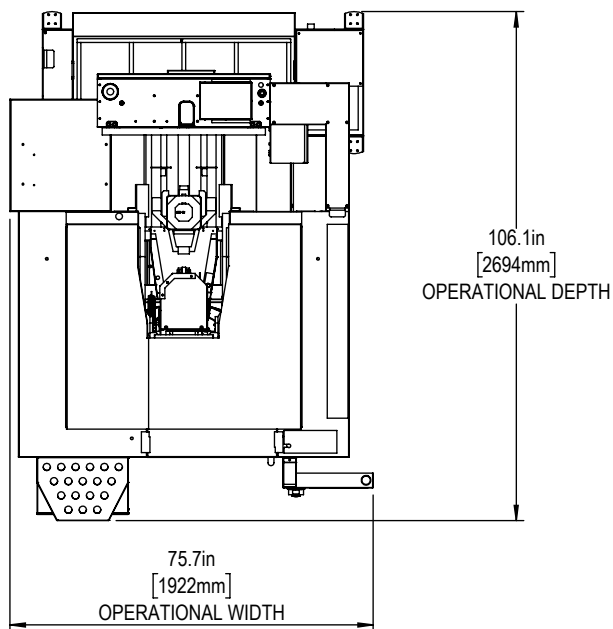
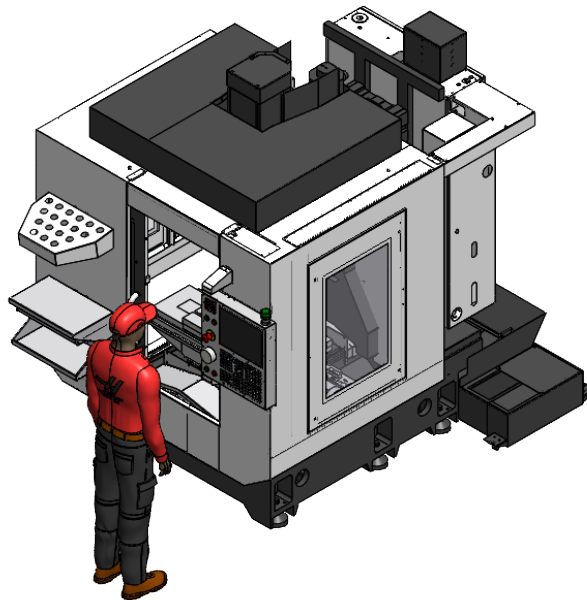
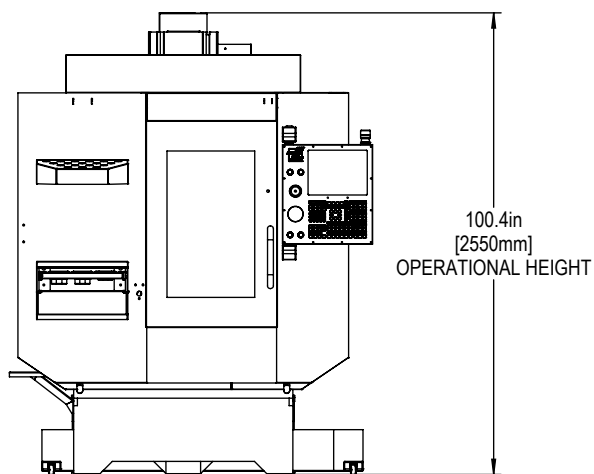
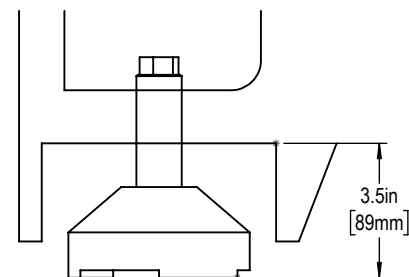




Installed Dimensions

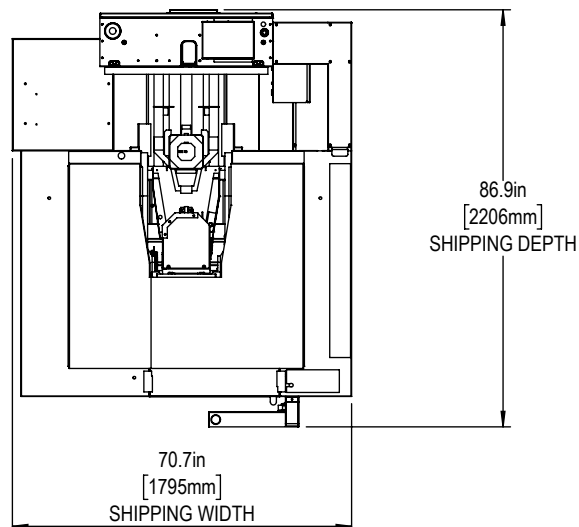
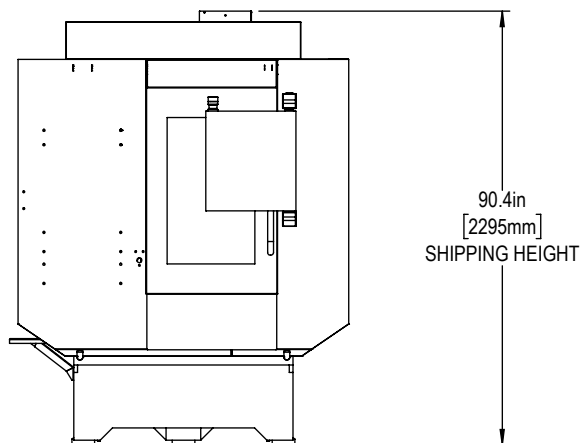


Leveling Pad Height

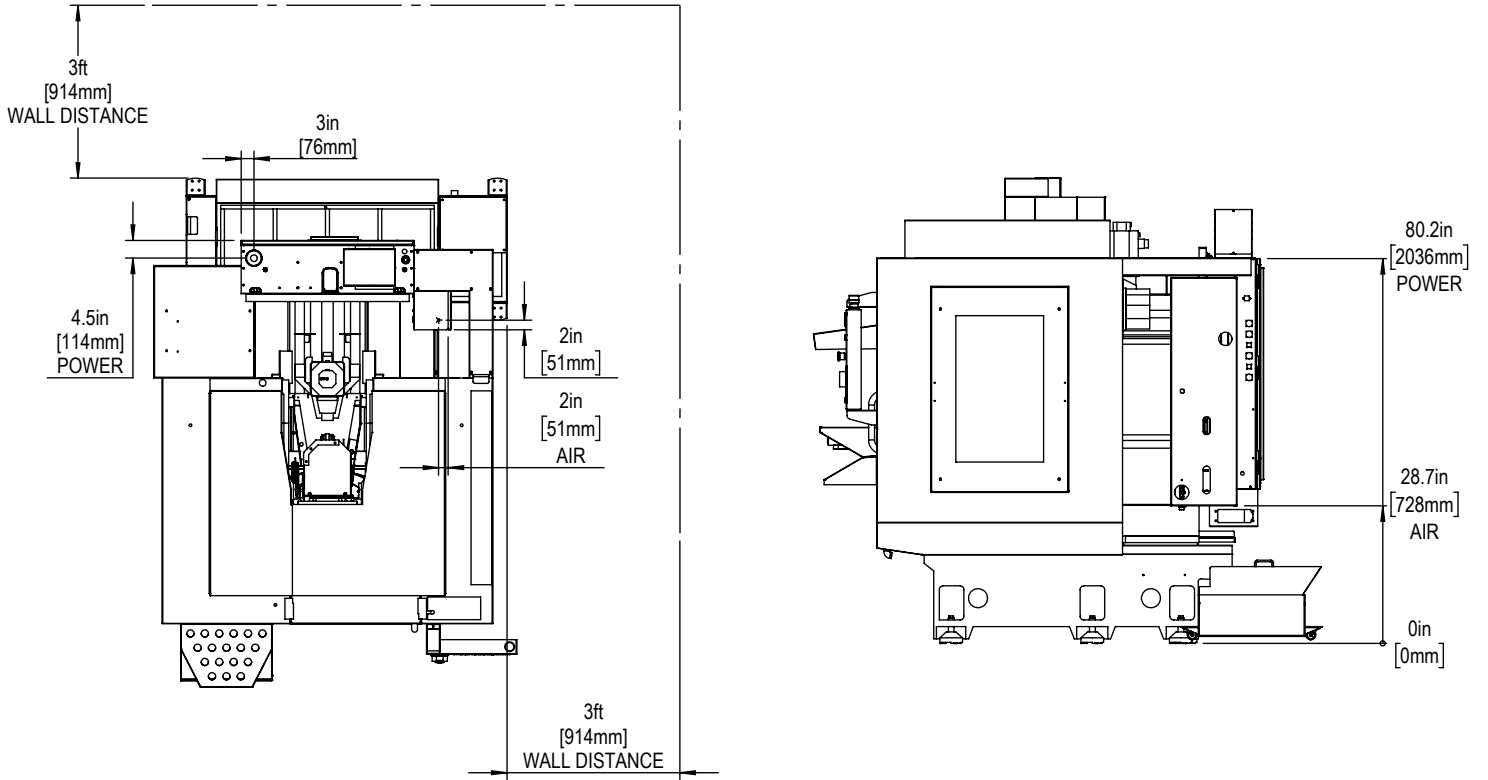


\*All Height Dimensions Based on Suggested Leveling Pad Height

Shipping Dimensions



Air & Power

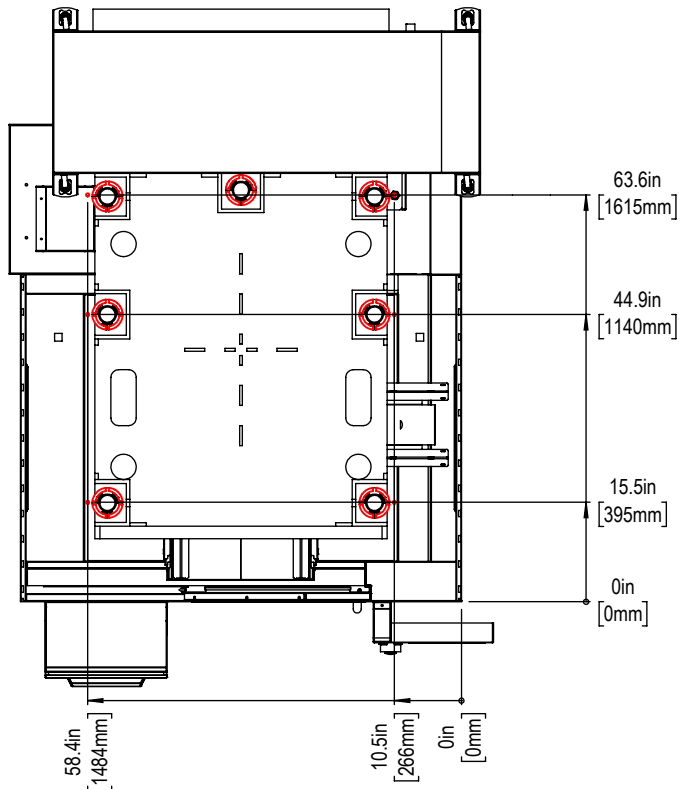


Maintain 3 feet [915mm] clearance to the nearest obstruction around all sides of machine perimeter for maintenance access

Note:  
Machine must be placed on one continuous concrete slab. Slab should extend 12in [305mm] beyond anchor holes in all directions

Anchor Pattern

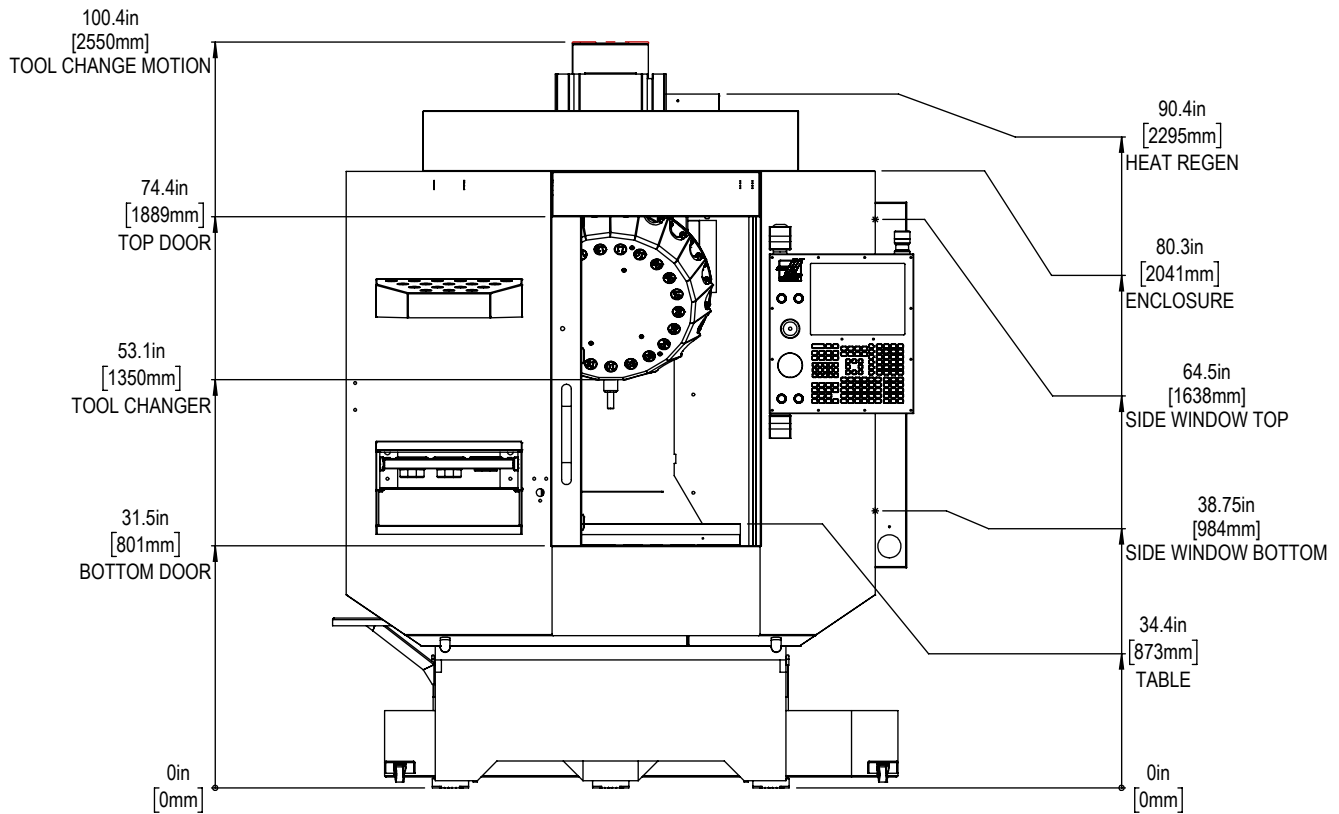
Anchor Hole Detail  
 $\varnothing$  0.625in [25mm]  
 $\nabla$  2.0in [50mm]-  
 $\nabla$  2.25in [57mm]



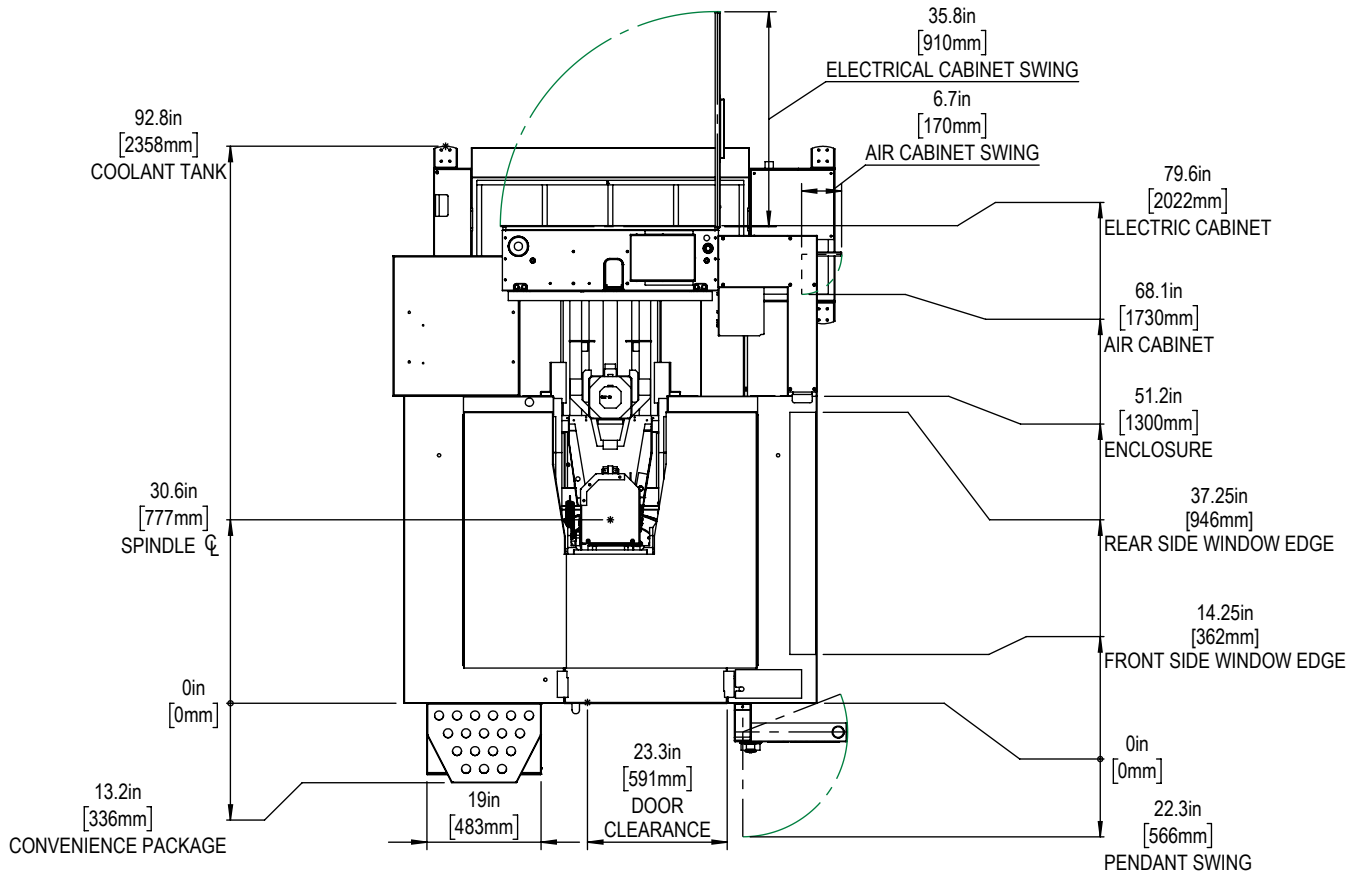
For precise locations and specifications please use template in Anchoring Kit found at Haascnc.com



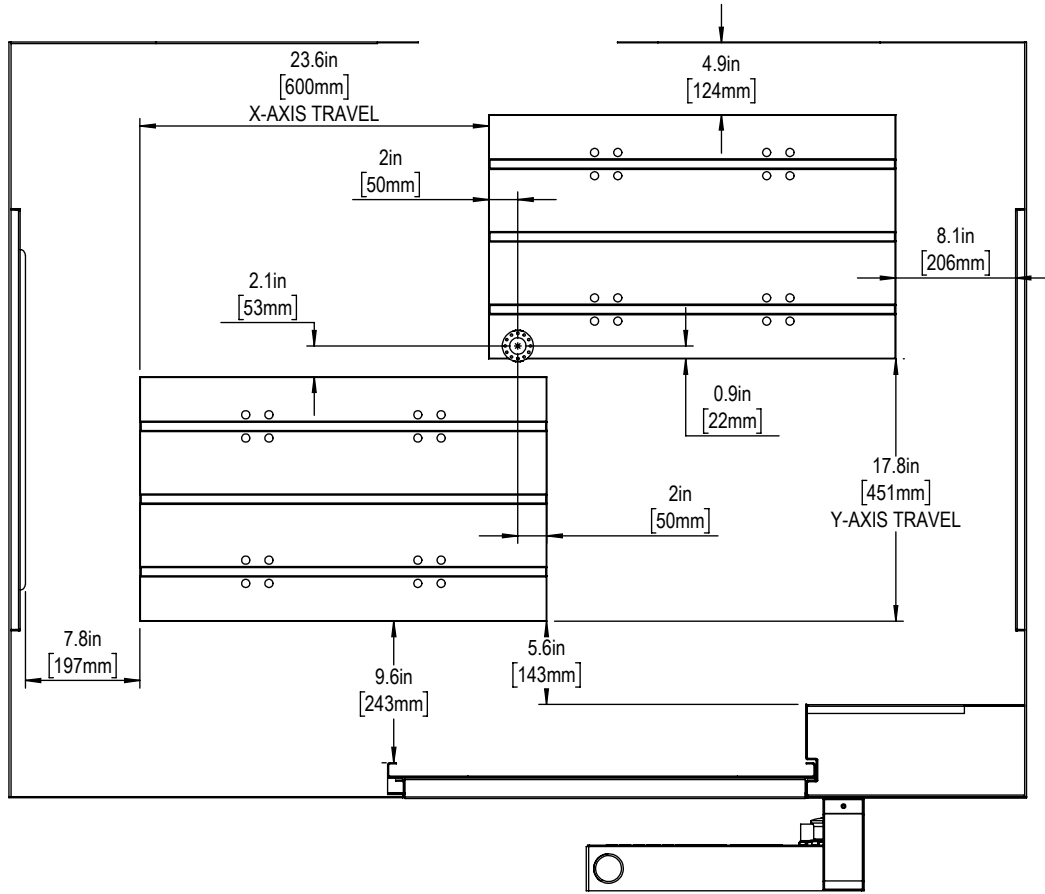
Height Breakdown



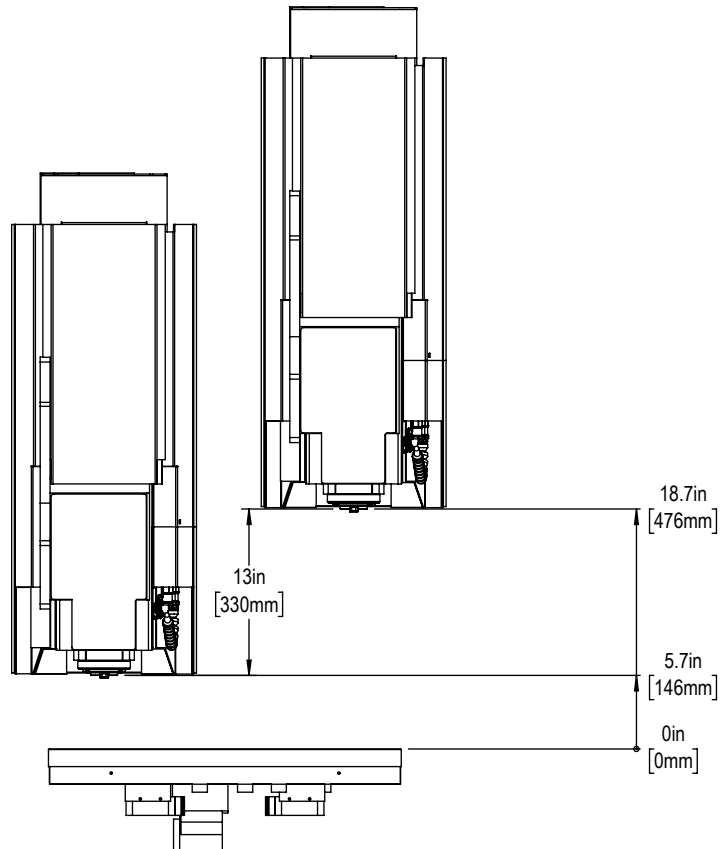
Width Breakdown



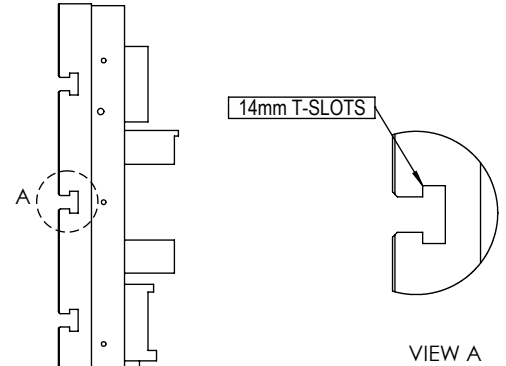
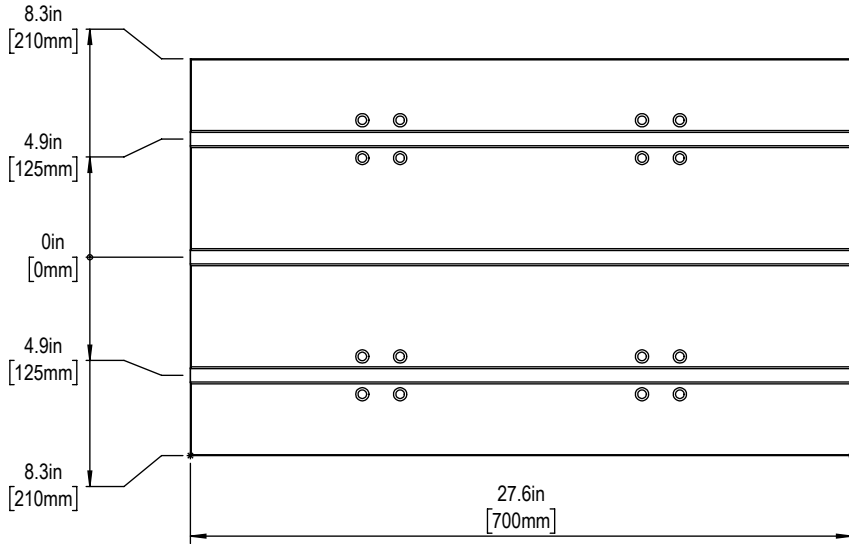
X&Y-Axis Travel and Clearance



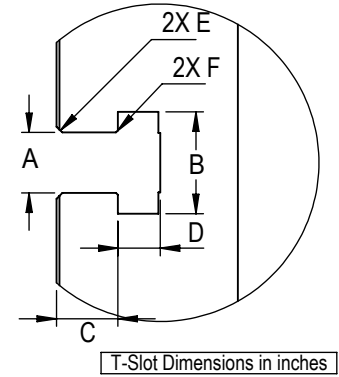
Z-AXIS TRAVEL & CLEARANCE



Table



Slot Size	A	B	C	D	E	F
12mm	0.438 $\frac{+.002}{-.000}$	0.76 ± 0.02	0.310 ± 0.010	0.318 ± 0.010	0.03x45°	0.020x45°
14mm	0.551 $\frac{+.004}{-.000}$	0.906 ± 0.008	0.472 ± 0.006	0.354 ± 0.006	0.08x45°	0.012x45°
16mm	0.628 ± 0.002	1.06 ± 0.02	0.640 ± 0.010	0.420 ± 0.010	0.06x45°	0.020x45°



Tool Changer

