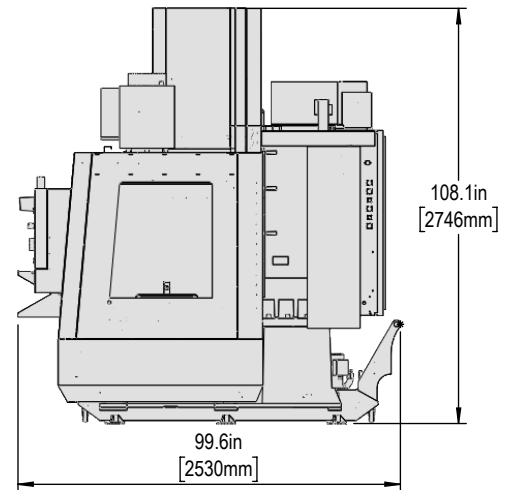
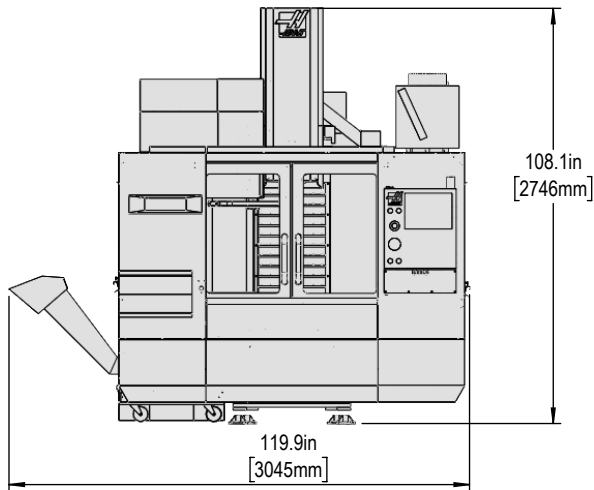
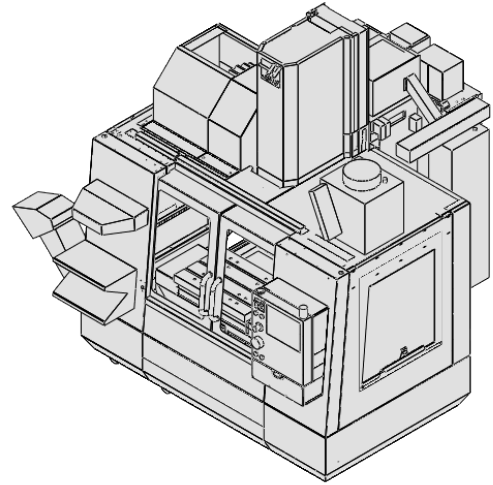
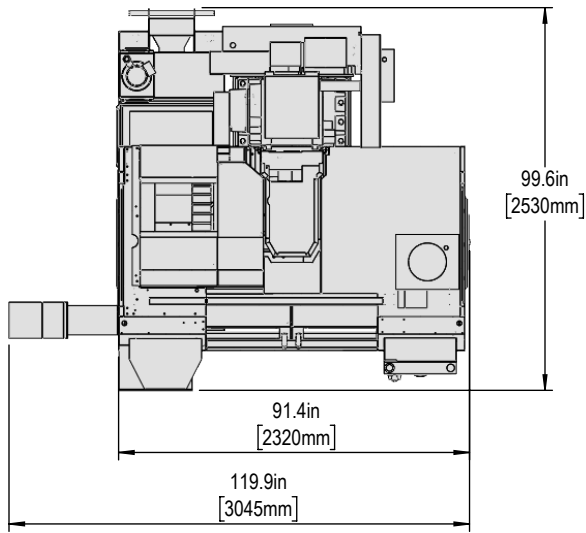
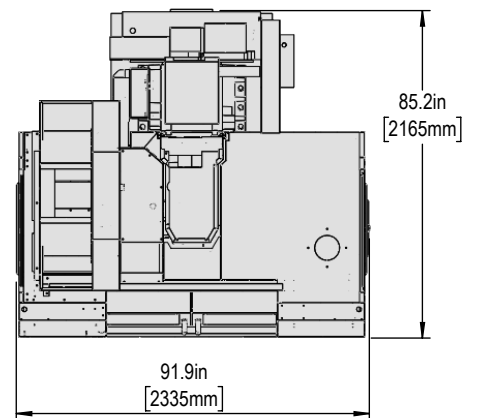
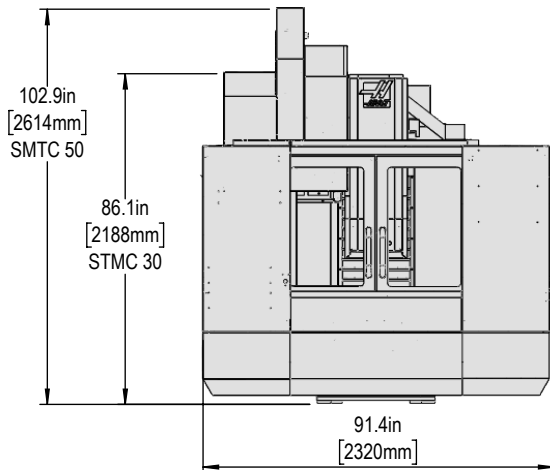


Installed Dimensions

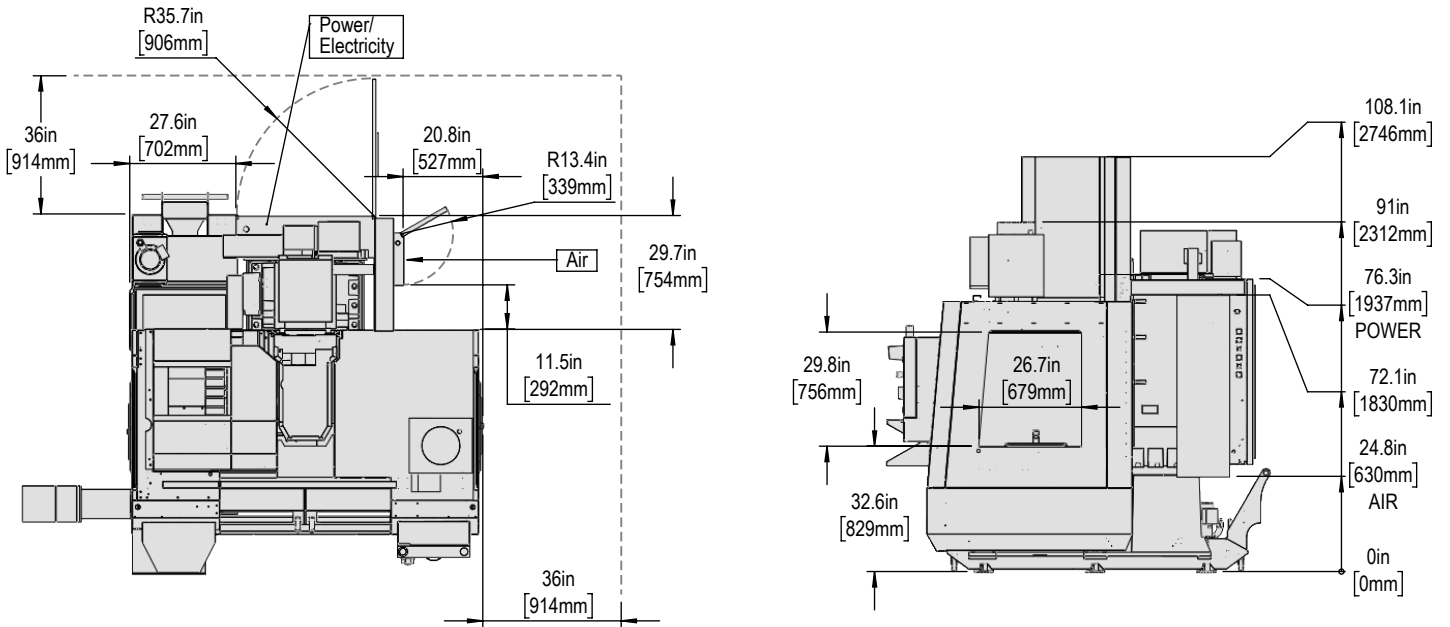


Shipping Dimensions

\*All Height Dimensions Based on Suggested Leveling Pad Height



Air & Power

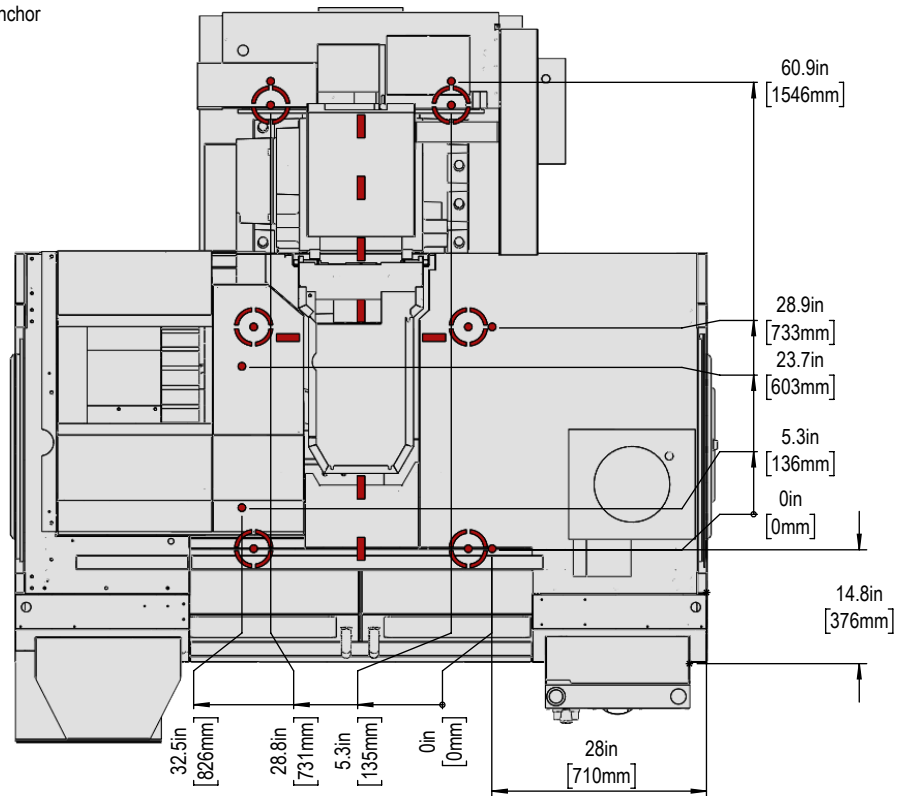


Maintain 3 feet [915mm] clearance to the nearest obstruction around all sides of machine perimeter for maintenance access

Note:  
Machine must be placed on one continuous concrete slab. Slab should extend 12in [305mm] beyond anchor holes in all directions

Anchor Pattern

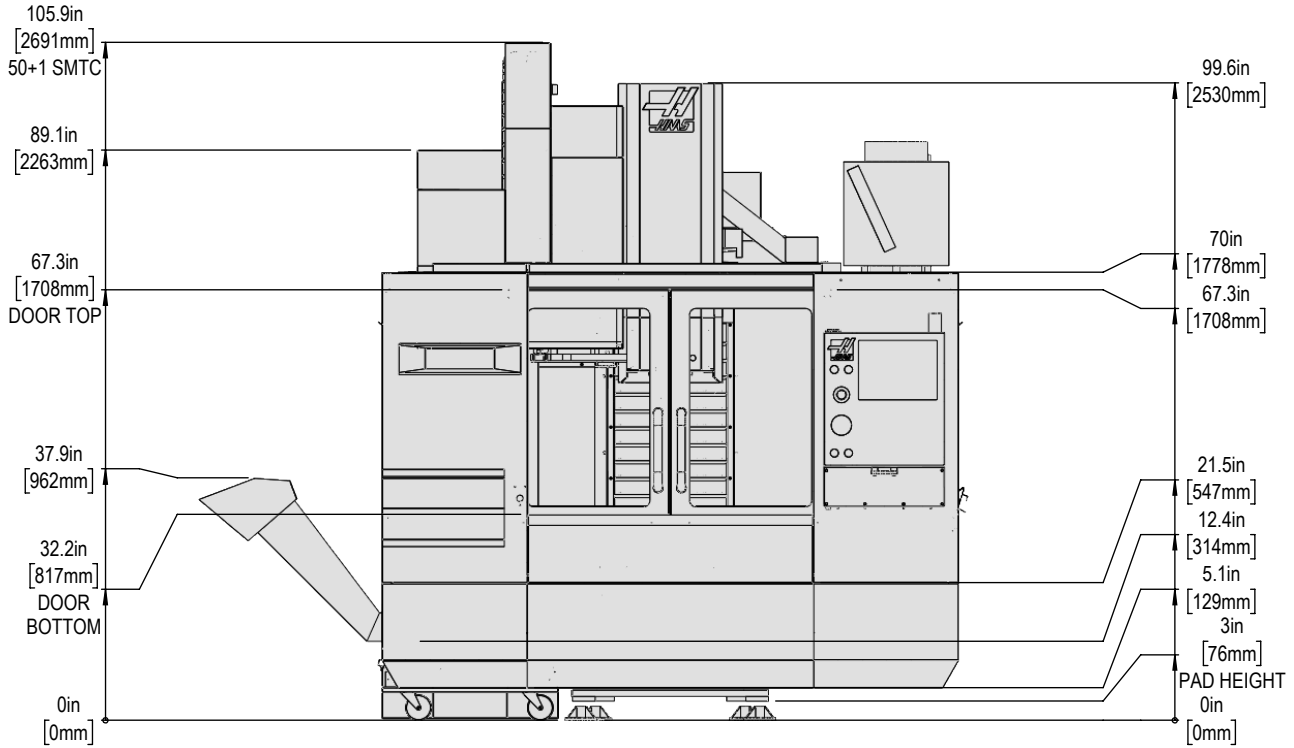
Anchor Hole Detail  
 $\varnothing 0.625in [16mm]$   
 $\nabla 2.0in [51mm]$ -  
 $\nabla 2.25in [57mm]$



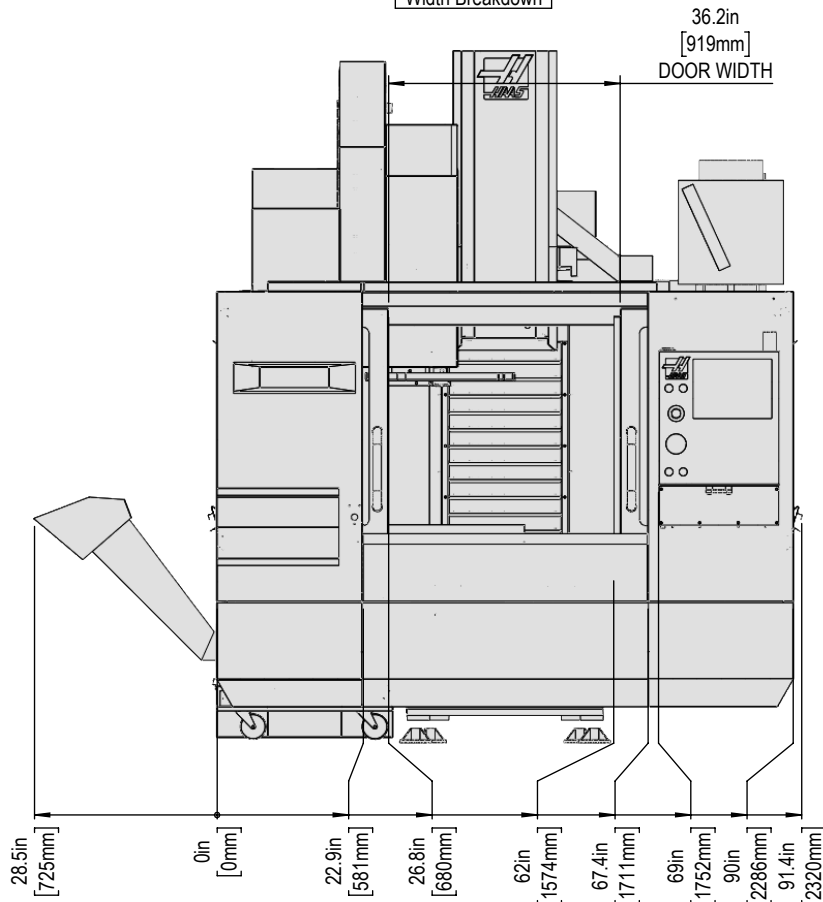
For precise locations and specifications please use template in Anchoring Kit found at Haascnc.com



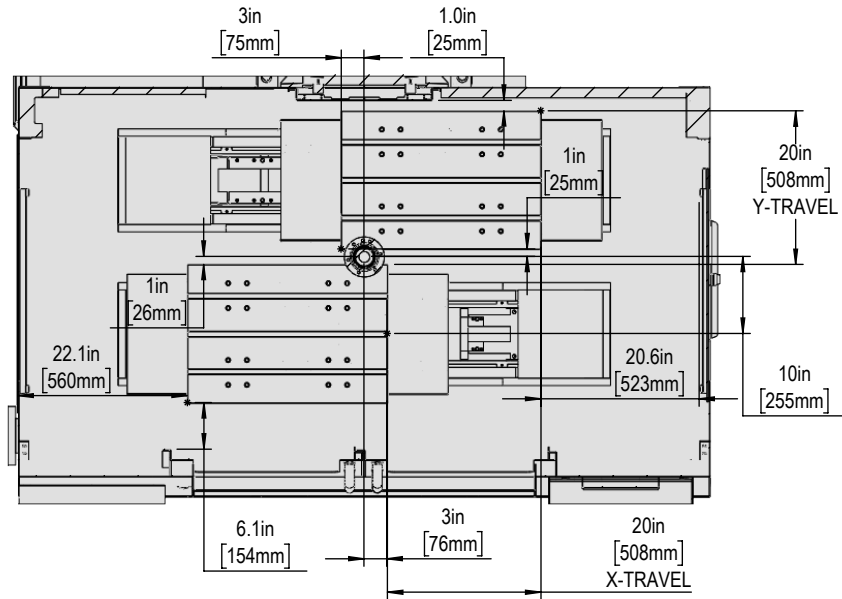
Height Breakdown



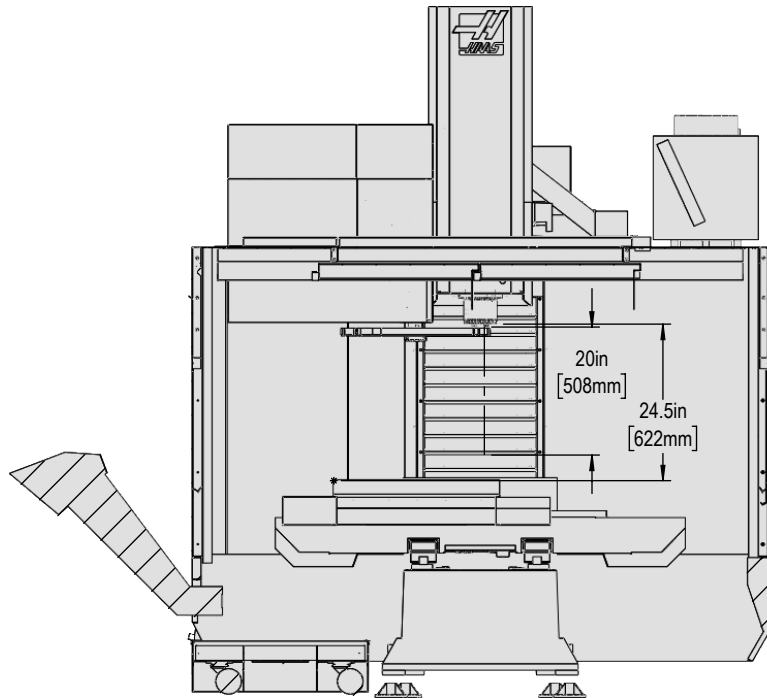
Width Breakdown



X&Y-Axis Travel and Clearance

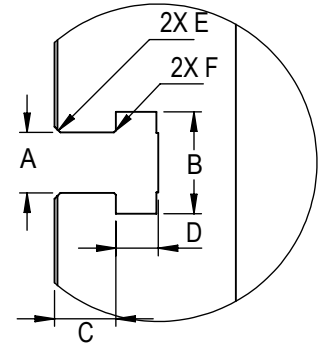
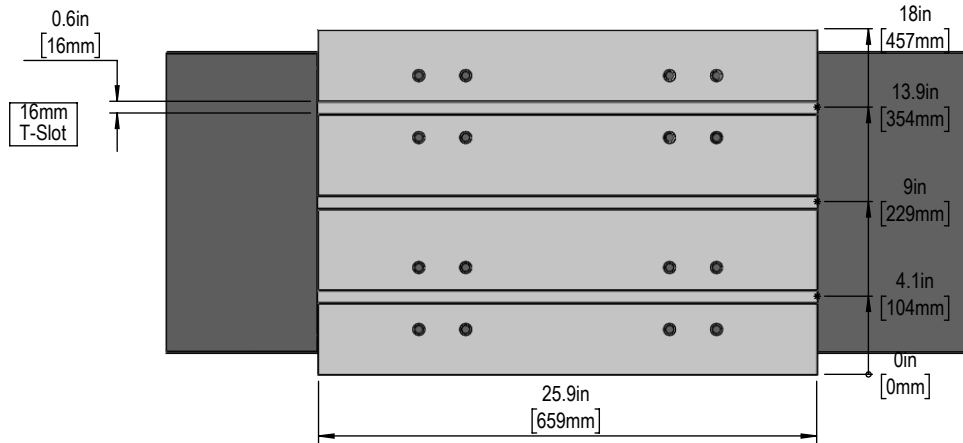


Z-AXIS TRAVEL & CLEARANCE





Table



T-Slot Dimensions in inches

Slot Size	A	B	C	D	E	F
11mm	$0.438 \begin{smallmatrix} +.002 \\ -.000 \end{smallmatrix}$	$0.76 \pm 0.02$	$0.310 \pm 0.010$	$0.318 \pm 0.010$	$0.03 \times 45^\circ$	$0.020 \times 45^\circ$
16mm	$0.628 \pm 0.002$	$1.06 \pm 0.02$	$0.640 \pm 0.010$	$0.420 \pm 0.010$	$0.06 \times 45^\circ$	$0.020 \times 45^\circ$

Tool Changer

