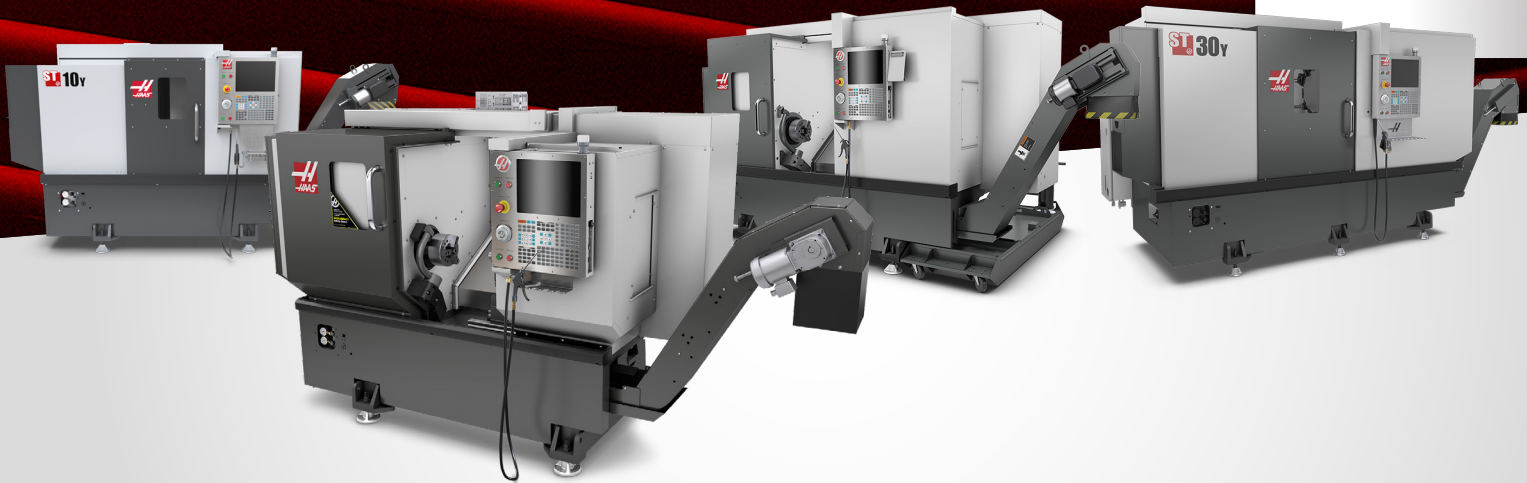


NEW MODEL

MORE CHOICES | MORE VALUE

TURNING CENTERS

Machines configured, built, and priced just for Europe.
You can't get more personalized than that.



Haas
F1™ Team

OFFICIAL MACHINE TOOL

HAAS AUTOMATION, INC.

EU-MODEL LATHES



ST-10Y-EU

Special Price: **€69.995**

Regular Price: €88.080

165 mm Chuck, 44 mm Bar Capacity

ST-15Y-EU

Special Price: **€74.995**

Regular Price: €92.480

210 mm Chuck, 64 mm Bar Capacity

UP TO
20%
OFF REGULAR PRICE

ST-20Y-EU

Special Price: **€79.995**

Regular Price: €97.680

210 mm Chuck, 64 mm bar capacity

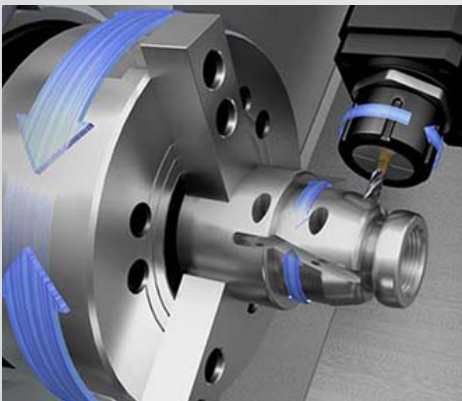
ST-30Y-EU

Special Price: **€88.995**

Regular Price: €111.680

254 mm Chuck, 76 mm bar capacity

HIGH-PRODUCTIVITY COMES STANDARD



6000-rpm Live Tooling

Provides 33% faster speeds than our standard live tooling, allowing higher surface feeds, and reducing cycle times.



Automatic Tool Presetter

Increase part accuracy and setup consistency, while reducing setup times by up to 50%.

SPECIAL FINANCING



FINANCE AN **IN-STOCK**
ST-20Y-EU WITH
20% DOWN FOR
48 MONTHS!

Haas Automation, Inc.
2800 Sturgis Rd., Oxnard, CA, USA, +1-805-278-1800

Haas Automation Europe
Mercuriusstraat 28, B-1930 Zaventem, Belgium, +32 2 522 99 05

Specifications subject to change without notice. Not responsible for typographical errors. Machines shown with optional equipment. Actual product appearance may differ. Pricing subject to change without notice.

