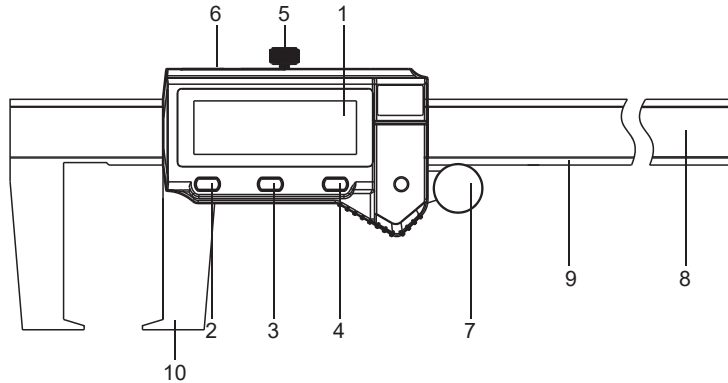


To ensure the proper use of the product, please read this product instructions manual thoroughly.

CALIPER COMPONENTS



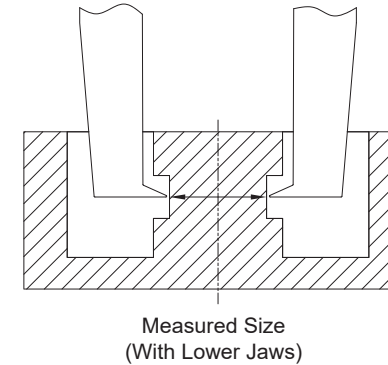
1. LCD display: Displays measurement value.
2. ON/OFF button: Press and release to power on/off the caliper. Caliper defaults to "absolute measuring mode" (ABS) when powered on.
3. mm/inch switch: Press this button to change between inch to metric.
4. Zero button: Press to set zero.
5. Clamp screw
6. Battery cover
7. Thumb wheel
8. Scale
9. Beam
10. Measuring faces: Measures dimensions such as outer diameter, thickness, contours, and various features on the exterior surface of an object.

SET UP

Press the power button. If display does not show a value, check condition of the battery.

1. Rotate the locking screw counterclockwise to unlock the caliper.
2. Clean the measuring surfaces of the jaws.
3. Close the jaws.
4. Press the power button, and set the zero position.
5. The caliper is ready to measure parts of the following example:

EXAMPLE



PRODUCT SPECIFICATIONS

Measuring range	0-150mm(0-6"), 0-200mm(0-8"), 0-300mm(0-12"),
Resolution	0.01mm/0.0005"/ 1/128"
Battery	CR2032 lithium battery
Working temperature	0-40°C (32 to 104°F)
Storage	-10 to 60°C (-14 to 140°F)
Environmental humidity	<80%

CAUTIONS

1. Avoid contact with liquid, prolonged exposure to sunlight or heat, and high impacts, such as dropping or items falling on the caliper.
2. Do not charge and reuse the battery. Properly dispose of old battery and replace with a new one when power is low.
3. Keep the caliper clean to ensure accuracy and long life. Clean with a clean soft cloth after each use.
4. Remove the battery if the product will not be used for a long period of time.
5. Do not disassemble.

TROUBLESHOOTING

If values on screen are dim or flashing, replace the battery with a new one.