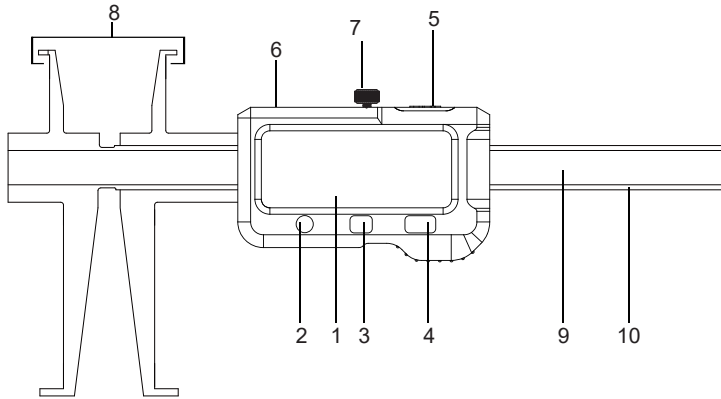


To ensure the proper use of the product, please read this product instructions manual thoroughly.

CALIPER COMPONENTS



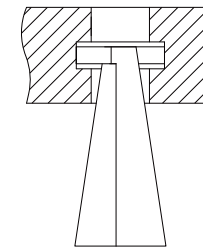
1. LCD Screen: Displays measurement value.
2. ON/OFF Button: Press and release to power on/off the caliper. Caliper defaults to "absolute measuring mode" (ABS) when powered on.
3. mm/in Button: Press this button to change between inch and metric.
4. Zero Button: Press to set zero.
5. Data Output Port: Used to transfer data.
6. Battery Cover: Stores the battery (battery type: CR2032).
7. Clamp screw
8. Upper/Lower Jaws: Measure internal features.
9. Scale
10. Beam

SET UP

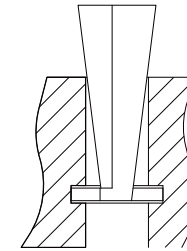
Press the power button. If display does not show a value, check condition of the battery.

1. Rotate the locking screw counterclockwise to unlock the caliper.
2. Clean the measuring surface of the jaws.
3. Close the jaws.
4. Press the power button, and set the zero position.
5. The caliper is ready to measure parts of the following example:

EXAMPLE



Measured Size
(With Upper Jaws)



Measured Size
(With Lower Jaws)

PRODUCT SPECIFICATIONS

Measuring range	10-150mm(0.39-6"), 10-200mm(0.39-8"), 10-300mm(0.39-12"),
Accuracy	0.04mm/0.0015", 0.04mm/0.0015", 0.05mm/0.0019"
Resolution	0.01mm/0.0005"
Battery	CR2032 lithium battery
Working temperature	0-40°C (32 to 104°F)
Storage	-10 to 60°C (-14 to 140°F)
Environmental humidity	<80%

CAUTIONS

1. Avoid contact with liquid, prolonged exposure to sunlight or heat, and high impacts, such as dropping or items falling on the caliper.
2. Do not charge and reuse the battery. Properly dispose of old battery and replace with a new one when power is low.
3. Keep the caliper clean to ensure accuracy and long life. Clean with a clean soft cloth after each use.
4. Remove the battery if the product will not be used for a long period of time.
5. Do not disassemble.

TROUBLESHOOTING

1. If values on screen are dim or flashing, replace the battery with a new one.