



Double Beam Dial Height Gauge Instruction Manual

INSTRUCTION MANUAL



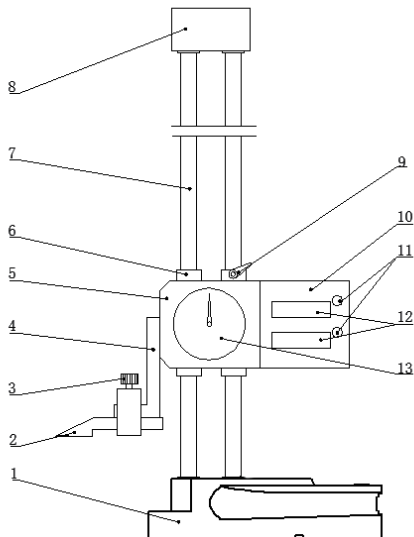
INSTRUCTIONS

In order to ensure the safety of the operator and the use of the product, please read the product manual carefully.

FEATURES

1. Dual directional counter
2. Dial indicator
3. Origin setting at any height
4. Large hand wheel

HEIGHT GAUGE COMPONENTS



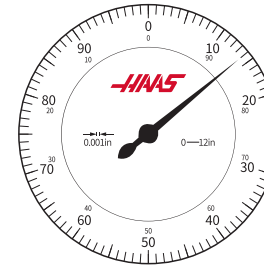
- (1) Base
- (2) Scribe
- (3) Scribe clamp
- (4) Measuring blade
- (5) Bezel
- (6) Hand wheel
- (7) Columns
- (8) Frame clamp
- (9) Locking clamp
- (10) Slider
- (11) Reset button
- (12) Counter
- (13) Dial indicator

USAGE

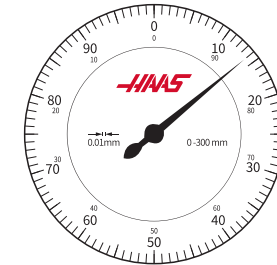
1. Prior to measurement, clean the bottom surface of the base and scriber tip with a clean, dry cloth.
2. Release locking clamp, turn the hand wheel until the scribe (or contact point of indicator) contacts the reference surface.
3. Zero set the dial indicator by turning the bezel to "0" and resetting the counter readings.
4. After use, lower the measuring blade leaving space between the scriber and measuring plate.

5. Place a dust proof cover over the column to prevent dirt and dust from damaging the height gauge.
6. For long-term storage, apply rust preventative to the scribe and to the bottom surface of the base.

READING



Graduation value: 0.001"
Main scale value: 03.00"
Dial division degree: 0.014"
Measured value: 3.014"



Graduation value: 0.01mm
Main scale value: 030.00mm
Dial division degree: 0.14mm
Measured value: 30.14mm