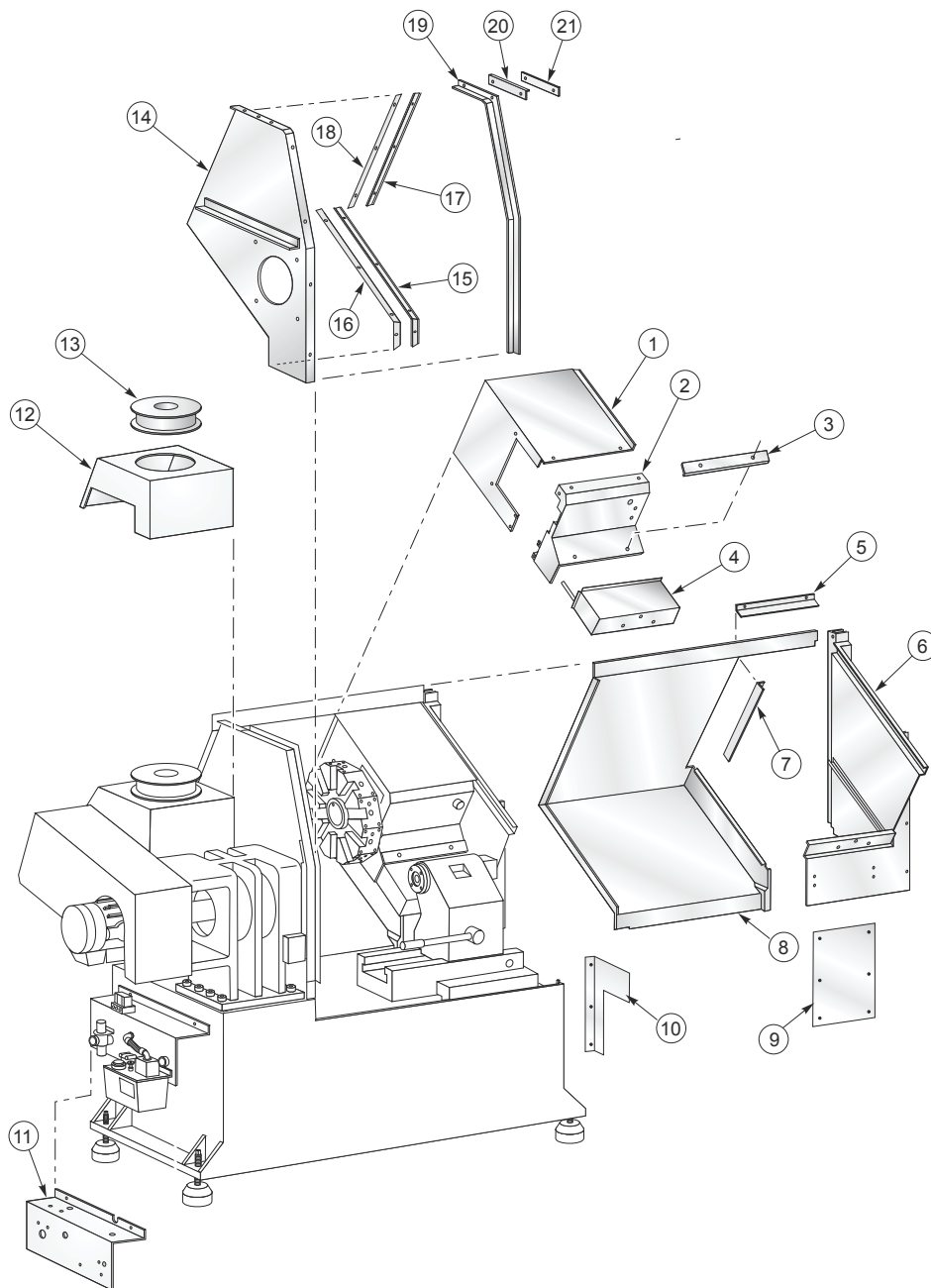




SL-10 - Internal Enclosure



- 1. X-Axis Top Cover
- 2. X-Axis Front Cover
- 3. X-Axis Wiper Retainer
- 4. X-Axis Way Cover
- 5. X-Axis Top Wiper Felt
- 6. Moving Bulkhead
- 7. X-Axis Side Wiper Felt
- 8. Z-Axis Sliding Cover
- 9. Cover, Z-axis Right
- 10. Chip Shield Wedge SL-10

- 11. Lube Rack Bracket
- 12. Fan Mount
- 13. Spindle Motor Fan
- 14. Fixed Bulkhead
- 15. Z-Axis Left Bottom Wiper Retainer
- 16. Z-Axis Left Bottom Wiper Felt
- 17. Z-Axis Left Top Wiper Retainer
- 18. Z-Axis Left Top Wiper Felt
- 19. Door Drain
- 20. Door Wiper
- 21. Top Wiper Retainer