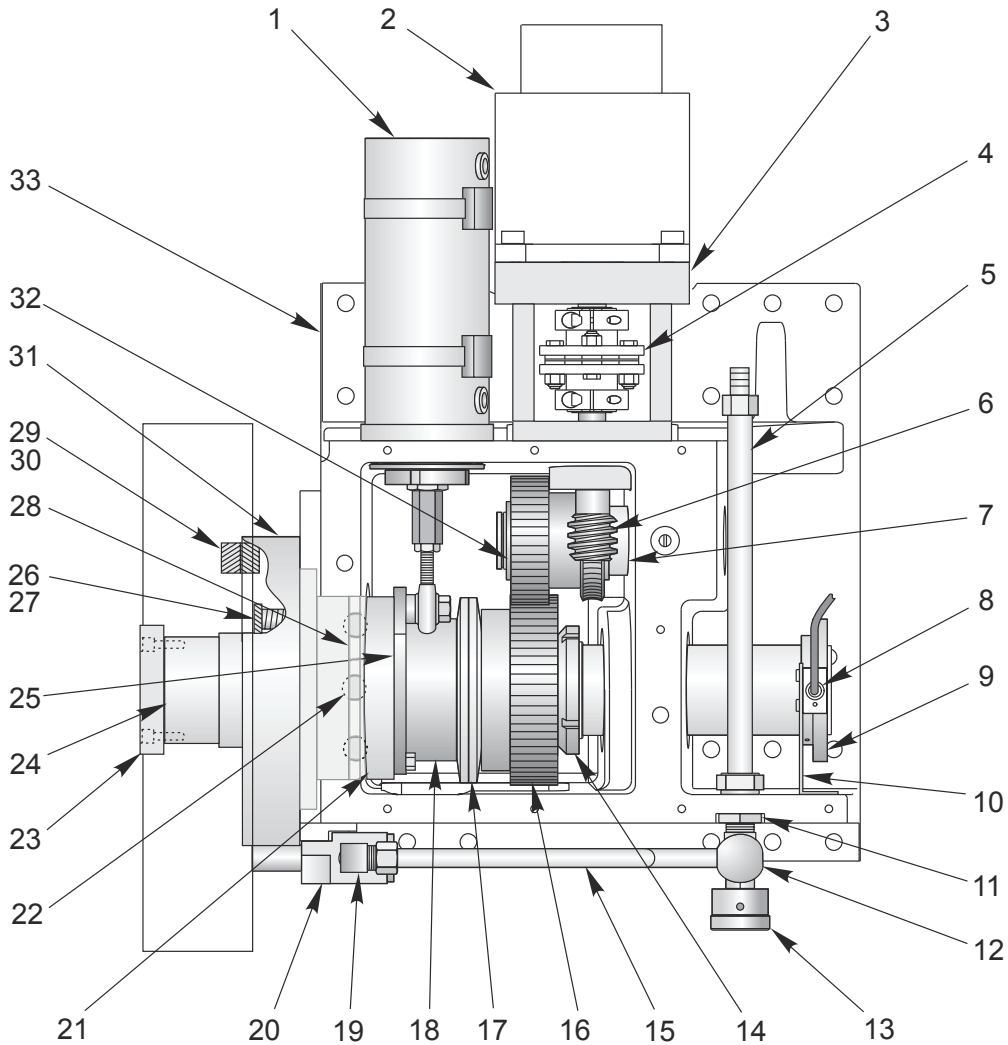




SL-10 - Tool Turret



- | | |
|-----------------------------------|-------------------------------|
| 1. Air Cylinder Assembly | 17. Belleville Washers (2) |
| 2. Motor | 18. TC Belleville Spacer |
| 3. Worm Housing | 19. Coolant Elbow |
| 4. Coupling Assembly | 20. Coolant Transfer Assembly |
| 5. Coolant Line Assembly | 21. TC Turret Cams (2) |
| 6. Worm Shaft | 22. 15/16 Steel Balls (3) |
| 7. TC Transfer Shaft | 23. Turret Retainer |
| 8. Switch | 24. TC Turret Shaft |
| 9. TC Switch Ring | 25. TC Cam Lever |
| 10. Turret Switch Bracket | 26. Spring Retainer |
| 11. Bulkhead Fitting | 27. Spring |
| 12. Coolant Valve | 28. Cam Cage |
| 13. Coolant Knob | 29. Male Turret Coupling |
| 14. Bearing Nut N-13 | 30. Female Turret Coupling |
| 15. Coolant Line | 31. Turret Mount Coupling |
| 16. TC Spur Gear
Spur Gear Key | 32. TC Cluster Gear |
| | 33. TC Turret Housing |