



Haas Automation, Inc.

Scan Code to get
the latest version
of this document



Translation
Available



Mill Operator's Manual

Next Generation Control - 15" LCD
96-8210
Revision U
December 2024
English
Original Instructions

Haas Automation Inc.
2800 Sturgis Road
Oxnard, CA 93030-8933
U.S.A. | HaasCNC.com

© 2024 Haas Automation, Inc.

All rights reserved. No part of this publication may be reproduced, stored in a retrieval system, or transmitted, in any form, or by any means, mechanical, electronic, photocopying, recording, or otherwise, without the written permission of Haas Automation, Inc. No patent liability is assumed with respect to the use of the information contained herein. Moreover, because Haas Automation strives constantly to improve its high-quality products, the information contained in this manual is subject to change without notice. We have taken every precaution in the preparation of this manual; nevertheless, Haas Automation assumes no responsibility for errors or omissions, and we assume no liability for damages resulting from the use of the information contained in this publication.



This product uses Java Technology from Oracle Corporation and we request that you acknowledge that Oracle owns the Java Trademark and all Java related Trademarks and agree to comply with the trademark guidelines at www.oracle.com/us/legal/third-party-trademarks/index.html.

Any further distribution of the Java programs (beyond this appliance/machine) is subject to a legally binding End User License Agreement with Oracle. Any use of the commercial features for production purposes requires a separate license from Oracle.

LIMITED WARRANTY CERTIFICATE

Haas Automation, Inc.

Covering Haas Automation, Inc. CNC Equipment

Effective September 1, 2010

Haas Automation Inc. (“Haas” or “Manufacturer”) provides a limited warranty on all new mills, turning centers, and rotary machines (collectively, “CNC Machines”) and their components (except those listed below under Limits and Exclusions of Warranty) (“Components”) that are manufactured by Haas and sold by Haas or its authorized distributors as set forth in this Certificate. The warranty set forth in this Certificate is a limited warranty, it is the only warranty by Manufacturer, and is subject to the terms and conditions of this Certificate.

Limited Warranty Coverage

Each CNC Machine and its Components (collectively, “Haas Products”) are warranted by Manufacturer against defects in material and workmanship. This warranty is provided only to an end-user of the CNC Machine (a “Customer”). The period of this limited warranty is one (1) year. The warranty period commences on the date the CNC Machine is installed at the Customer’s facility. Customer may purchase an extension of the warranty period from an authorized Haas distributor (a “Warranty Extension”), any time during the first year of ownership.

Repair or Replacement Only

Manufacturer’s sole liability, and Customer’s exclusive remedy under this warranty, with respect to any and all Haas products, shall be limited to repairing or replacing, at the discretion of the Manufacturer, the defective Haas product.

Disclaimer of Warranty

This warranty is Manufacturer’s sole and exclusive warranty, and is in lieu of all other warranties of whatever kind or nature, express or implied, written or oral, including, but not limited to, any implied warranty of merchantability, implied warranty of fitness for a particular purpose, or other warranty of quality or performance or noninfringement. All such other warranties of whatever kind are hereby disclaimed by Manufacturer and waived by Customer.

Limits and Exclusions of Warranty

Components subject to wear during normal use and over time, including, but not limited to, paint, window finish and condition, light bulbs, seals, wipers, gaskets, chip removal system (e.g., augers, chip chutes), air guns and hoses, washdown guns and hoses, belts, filters, door rollers, tool changer fingers, etc., are excluded from this warranty. Manufacturer's specified maintenance procedures must be adhered to and recorded in order to maintain this warranty. This warranty is void if Manufacturer determines that (i) any Haas Product was subjected to mishandling, misuse, abuse, neglect, accident, improper installation, improper maintenance, improper storage, or improper operation or application, including the use of improper coolants or other fluids, (ii) any Haas Product was improperly repaired or serviced by Customer, an unauthorized service technician, or other unauthorized person, (iii) Customer or any person makes or attempts to make any modification to any Haas Product without the prior written authorization of Manufacturer, and/or (iv) any Haas Product was used for any non-commercial use (such as personal or household use). This warranty does not cover damage or defect due to an external influence or matters beyond the reasonable control of Manufacturer, including, but not limited to, theft, vandalism, fire, weather condition (such as rain, flood, wind, lightning, or earthquake), or acts of war or terrorism.

Without limiting the generality of any of the exclusions or limitations described in this Certificate, this warranty does not include any warranty that any Haas Product will meet any person's production specifications or other requirements, or that operation of any Haas Product will be uninterrupted or error-free. Manufacturer assumes no responsibility with respect to the use of any Haas Product by any person, and Manufacturer shall not incur any liability to any person for any failure in design, production, operation, performance, or otherwise of any Haas Product, other than repair or replacement of same as set forth in the warranty above.

Limitation of Liability and Damages

Manufacturer will not be liable to Customer or any other person for any compensatory, incidental, consequential, punitive, special, or other damage or claim, whether in an action in contract, tort, or other legal or equitable theory, arising out of or related to any Haas product, other products or services provided by Manufacturer or an authorized distributor, service technician, or other authorized representative of Manufacturer (collectively, "authorized representative"), or the failure of parts or products made by using any Haas Product, even if Manufacturer or any authorized representative has been advised of the possibility of such damages, which damage or claim includes, but is not limited to, loss of profits, lost data, lost products, loss of revenue, loss of use, cost of down time, business good will, any damage to equipment, premises, or other property of any person, and any damage that may be caused by a malfunction of any Haas product. All such damages and claims are disclaimed by Manufacturer and waived by Customer. Manufacturer's sole liability, and Customer's exclusive remedy, for damages and claims for any cause whatsoever shall be limited to repair or replacement, at the discretion of Manufacturer, of the defective Haas Product as provided in this warranty.

Customer has accepted the limitations and restrictions set forth in this Certificate, including, but not limited to, the restriction on its right to recover damages, as part of its bargain with Manufacturer or its Authorized Representative. Customer realizes and acknowledges that the price of the Haas Products would be higher if Manufacturer were required to be responsible for damages and claims beyond the scope of this warranty.

Entire Agreement

This Certificate supersedes any and all other agreements, promises, representations, or warranties, either oral or in writing, between the parties or by Manufacturer with respect to subject matter of this Certificate, and contains all of the covenants and agreements between the parties or by Manufacturer with respect to such subject matter. Manufacturer hereby expressly rejects any other agreements, promises, representations, or warranties, either oral or in writing, that are in addition to or inconsistent with any term or condition of this Certificate. No term or condition set forth in this Certificate may be modified or amended, unless by a written agreement signed by both Manufacturer and Customer. Notwithstanding the foregoing, Manufacturer will honor a Warranty Extension only to the extent that it extends the applicable warranty period.

Transferability

This warranty is transferable from the original Customer to another party if the CNC Machine is sold via private sale before the end of the warranty period, provided that written notice thereof is provided to Manufacturer and this warranty is not void at the time of transfer. The transferee of this warranty will be subject to all terms and conditions of this Certificate.

Miscellaneous

This warranty shall be governed by the laws of the State of California without application of rules on conflicts of laws. Any and all disputes arising from this warranty shall be resolved in a court of competent jurisdiction located in Ventura County, Los Angeles County, or Orange County, California. Any term or provision of this Certificate that is invalid or unenforceable in any situation in any jurisdiction shall not affect the validity or enforceability of the remaining terms and provisions hereof, or the validity or enforceability of the offending term or provision in any other situation or in any other jurisdiction.

Customer Feedback

If you have concerns or questions regarding this Operator's Manual, please contact us on our website, www.HaasCNC.com. Use the "Contact Us" link and send your comments to the Customer Advocate.

Join Haas owners online and be a part of the greater CNC community at these sites:



haasparts.com
Your Source for Genuine Haas Parts



www.facebook.com/HaasAutomationInc
Haas Automation on Facebook



www.twitter.com/Haas_Automation
Follow us on Twitter



www.linkedin.com/company/haas-automation
Haas Automation on LinkedIn



www.youtube.com/user/haasautomation
Product videos and information



www.flickr.com/photos/haasautomation
Product photos and information

Customer Satisfaction Policy

Dear Haas Customer,

Your complete satisfaction and goodwill are of the utmost importance to both Haas Automation, Inc. and the Haas distributor (HFO) where you purchased your equipment. Normally, your HFO will rapidly resolve any concerns you have about your sales transaction or the operation of your equipment.

However, if your concerns are not resolved to your complete satisfaction, and you have discussed your concerns with a member of the HFO's management, the General Manager, or the HFO's owner directly, please do the following:

Contact Haas Automation's Customer Service Advocate at 805-988-6980. So that we may resolve your concerns as quickly as possible, please have the following information available when you call:

- Your company name, address, and phone number
- The machine model and serial number
- The HFO name, and the name of your latest contact at the HFO
- The nature of your concern

If you wish to write Haas Automation, please use this address:

Haas Automation, Inc. U.S.A.
2800 Sturgis Road
Oxnard CA 93030
Att: Customer Satisfaction Manager
email: customerservice@HaasCNC.com

Once you contact the Haas Automation Customer Service Center, we will make every effort to work directly with you and your HFO to quickly resolve your concerns. At Haas Automation, we know that a good Customer-Distributor-Manufacturer relationship will help ensure continued success for all concerned.

International:

Haas Automation, Europe
Mercuriusstraat 28, B-1930
Zaventem, Belgium
email: customerservice@HaasCNC.com

Haas Automation, Asia
No. 96 Yi Wei Road 67,
Waigaoqiao FTZ
Shanghai 200131 P.R.C.
email: customerservice@HaasCNC.com



Declaration of Conformity

Product: Mill (Vertical and Horizontal)* (ES0766AD)

*Including all options factory- or field-installed by a certified Haas Factory Outlet (HFO)

Manufactured By: Haas Automation, Inc.
2800 Sturgis Road, Oxnard, CA 93030
805-278-1800

We declare, in sole responsibility, that the above-listed products, to which this declaration refers, comply with the regulations as outlined in the CE directive for Machining Centers:

- Machinery Directive 2006/42/EC
- Electromagnetic Compatibility Directive 2014/30/EU
- Low Voltage Directive 2014/35/EC
- Additional Standards:
 - EN 12417:2001+A2:2009
 - EN 60204-1:2018
 - EN ISO 13849-1:2015
 - EN 50370-1:2005
 - EN 50370-2:2003
 - ISO 10218:1-2:2011 (if robot or Cobot included)
 - ISO/TS 15066:2016 (if Cobot included)

RoHS2: COMPLIANT (2011/65/EU) by Exemption per producer documentation.

Exempt by:

- a) Large scale stationary industrial tool.
- b) Lead as an alloying element in steel, aluminum, and copper.
- c) Cadmium and its compounds in electrical contacts.

Person authorized to compile technical file:

Kristine De Vriese

Phone: +32 (2) 4272151

Address:

Haas Automation Europe
Mercuriusstraat 28
B-1930 Zaventem
Belgium

USA: Haas Automation certifies this machine to be in compliance with the OSHA and ANSI design and manufacturing standards listed below. Operation of this machine will be compliant with the below-listed standards only as long as the owner and operator continue to follow the operation, maintenance, and training requirements of these standards.

- *OSHA 1910.212 - General Requirements for All Machines*
- *ANSI B11.5-1983 (R1994) Drilling, Milling, and Boring Machines*
- *ANSI B11.19-2019 Performance Requirements for Risk Reduction Measures*
- *ANSI B11.23-2002 Safety Requirements for Machining Centers and Automatic Numerically Controlled Milling, Drilling, and Boring Machines*
- *ANSI B11.TR3-2000 Risk Assessment and Risk Reduction - A Guideline to Estimate, Evaluate, and Reduce Risks Associated with Machine Tools*

CANADA: As the original equipment manufacturer, we declare that the listed products comply with regulations as outlined in the Pre-Start Health and Safety Reviews Section 7 of Regulation 851 of the Occupational Health and Safety Act Regulations for Industrial Establishments for machine guarding provisions and standards.

Further, this document satisfies the notice-in-writing provision for exemption from Pre-Start inspection for the listed machinery as outlined in the Ontario Health and Safety Guidelines, PSR Guidelines dated November 2016. The PSR Guidelines allow that notice in writing from the original equipment manufacturer declaring conformity to applicable standards is acceptable for the exemption from Pre-Start Health and Safety Review.



All Haas CNC machine tools carry the ETL Listed mark, certifying that they conform to the NFPA 79 Electrical Standard for Industrial Machinery and the Canadian equivalent, CAN/CSA C22.2 No. 73. The ETL Listed and cETL Listed marks are awarded to products that have successfully undergone testing by Intertek Testing Services (ITS), an alternative to Underwriters' Laboratories.



Haas Automation has been assessed for conformance with the provisions set forth by ISO 9001: 2015. Scope of Registration: Design and Manufacture of CNC Machines Tools and Accessories, Sheet Metal Fabrication. The conditions for maintaining this certificate of registration are set forth in ISA's Registration Policies 5.1. This registration is granted subject to the organization maintaining compliance to the noted standard. The validity of this certificate is dependent upon ongoing surveillance audits.

Original Instructions

User's Operator Manual and other Online Resources

This manual is the operation and programming manual that applies to all Haas Mills.

An English language version of this manual is supplied to all customers and is marked "**Original Instructions**".

For many other areas of the world, there is a translation of this manual marked "**Translation of Original Instructions**".

This manual contains an unsigned version of the EU required "**Declaration Of Conformity**". European customers are provided a signed English version of the Declaration of Conformity with Model Name and Serial Number.

Besides this manual, there is a tremendous amount of additional information online at: www.haascnc.com under the Service section.

Both this manual and the translations of this manual are available online for machines up to approximately 15 years old.

The CNC control of your machine also contains all of this manual in many languages and can be found by pressing the **[HELP]** button.

Many machine models come with manual supplement that is also available online.

All machine options also have additional information online.

Maintenance and service information is available online.

The online "**Installation Guide**" contains information and check list for Air & Electrical requirements, Optional Mist Extractor, Shipping Dimensions, weight, Lifting Instructions, foundation and placement, etc.

Guidance on proper coolant and Coolant Maintenance is located in the Operators Manual and Online.

Air and Pneumatic diagrams are located on the inside of the lubrication panel door and CNC control door.

Lubrication, grease, oil and hydraulic fluid types are listed on a decal on the machine's lubrication panel.





How to Use This Manual

To get the maximum benefit of your new Haas machine, read this manual thoroughly and refer to it often. The content of this manual is also available on your machine control under the HELP function.

IMPORTANT: Before you operate the machine, read and understand the Operator's Manual Safety chapter.

Declaration of Warnings

Throughout this manual, important statements are set off from the main text with an icon and an associated signal word: "Danger," "Warning," "Caution," or "Note." The icon and signal word indicate the severity of the condition or situation. Be sure to read these statements and take special care to follow the instructions.

Description	Example
<p>Danger means that there is a condition or situation that will cause death or severe injury if you do not follow the instructions given.</p>	 <p>DANGER: No step. Risk of electrocution, bodily injury, or machine damage. Do not climb or stand on this area.</p>
<p>Warning means that there is a condition or situation that will cause moderate injury if you do not follow the instructions given.</p>	 <p>WARNING: Never put your hands between the tool changer and the spindle head.</p>
<p>Caution means that minor injury or machine damage could occur if you do not follow the instructions given. You may also have to start a procedure over if you do not follow the instructions in a caution statement.</p>	 <p>CAUTION: Power down the machine before you do maintenance tasks.</p>
<p>Note means that the text gives additional information, clarification, or helpful hints.</p>	 <p>NOTE: Follow these guidelines if the machine is equipped with the optional extended Z-clearance table.</p>

Text Conventions Used in this Manual

Description	Text Example
A Code Block text gives program examples.	G00 G90 G54 X0. Y0. ;
A Control Button Reference gives the name of a control key or button that you are to press.	Press [CYCLE START] .
A File Path describes a sequence of file system directories.	<i>Service > Documents and Software >...</i>
A Mode Reference describes a machine mode.	MDI
A Screen Element describes an object on the machine's display that you interact with.	Select the SYSTEM tab.
A System Output describes text that the machine control displays in response to your actions.	PROGRAM END
A User Input describes text that you should enter into the machine control.	G04 P1. ;
A Variable n indicates a range of non-negative integers from 0 to 9.	Dnn represents D00 through D99.

Contents

	User's Operator Manual and other Online Resources	xi
	How to Use This Manual	xii
Chapter 1	Safety	1
	1.1 General Safety Notes	1
	1.1.1 Summary of Types of Operation for Haas Automation Machine Tools	2
	1.1.2 Read Before Operating	4
	1.1.3 Machine Environmental Limits	7
	1.1.4 Machine Noise Limits	7
	1.2 Unattended Operation	8
	1.3 Door Rules - Run / Setup Mode	8
	1.3.1 Robot Cells	10
	1.4 Haas Robot Package	10
	1.5 Mist Extraction / Enclosure Evacuation	13
	1.6 Spindle Safety Limit	14
	1.7 Modifications to the Machine	15
	1.8 Improper Coolants	15
	1.9 Safety Decals	16
	1.9.1 Decal Symbols Reference	17
	1.9.2 Other Safety Information	21
	1.9.3 More Information Online	21
Chapter 2	Introduction	23
	2.1 Vertical Mill Overview	23
	2.2 EC-1600 Overview	29
	2.2.1 EC-400, EC-400PP Overview	32
	2.3 Control Pendant	36
	2.3.1 Pendant Front Panel	36
	2.3.2 Pendant Right Side, and Top Panels	37
	2.3.3 Keyboard	38
	2.3.4 Control Display	50
	2.4 Tabbed Menu Basic Navigation	73
	2.5 LCD Touchscreen Overview	74
	2.5.1 LCD Touchscreen - Navigation Tiles	76
	2.5.2 LCD Touchscreen - Selectable Boxes	78
	2.5.3 LCD Touchscreen - Virtual Keyboard	80

	2.5.4	LCD Touchscreen - Program Editing	81
	2.5.5	LCD Touchscreen - Maintenance	82
2.6	Help		82
	2.6.1	Active Icon Help	83
	2.6.2	Active Window Help	83
	2.6.3	Active Window Commands	83
	2.6.4	Help Index	83
	2.6.5	More Information Online	83
Chapter 3	Control Icons		85
	3.1	Next Generation Control Icon Guide	85
	3.2	More Information Online.	102
Chapter 4	Operation		103
	4.1	Machine Power-On	103
	4.2	Spindle Warm-Up	104
	4.3	Device Manager ([LIST PROGRAM])	104
	4.3.1	Device Manager Operation	105
	4.3.2	File Display Columns	106
	4.3.3	Create a New Program	107
	4.3.4	Create A Container	108
	4.3.5	Select the Active Program.	109
	4.3.6	Check Mark Selection	109
	4.3.7	Copy Programs	109
	4.3.8	Edit a Program.	110
	4.3.9	File Commands	111
	4.4	Screen Capture	112
	4.5	Error Report	112
	4.6	Full Machine Backup	113
	4.6.1	Selected Machine Data Backup	116
	4.7	Restoring a Full Machine Backup	117
	4.7.1	Restoring Selected Backups.	118
	4.8	Basic Program Search.	119
	4.9	Locate the Last Program Error	120
	4.10	Safe Run Mode	120
	4.11	Tooling.	123
	4.11.1	Tool Holders	123
	4.11.2	Advanced Tool Management Introduction.	124
	4.11.3	Tool Usage Display	130
	4.11.4	Tool Info Display.	132
	4.12	WorkHolding Tab- Overview.	133
	4.12.1	E-Vise Setup.	134
	4.12.2	Hydraulic Vise - Setup.	137

	4.12.3	Pneumatic Vise - Setup	141
4.13		Tool Changers	143
	4.13.1	Loading the Tool Changer	143
	4.13.2	Umbrella Tool Changer Recovery	150
	4.13.3	SMTC Programming Notes	150
	4.13.4	SMTC Recovery	151
	4.13.5	SMTC Door Switch Panel	152
4.14		Pallet Changer - Introduction	153
	4.14.1	Pallet Changer Warnings and Cautions	153
	4.14.2	Maximum Pallet Loads.	153
	4.14.3	Operator Load Station (EC-400).	154
	4.14.4	Sub-Panel Controls	154
	4.14.5	Pallet Replacement	154
	4.14.6	Pallet Storage	155
	4.14.7	Pallet Schedule Table	156
	4.14.8	Pallet Pool/Changer Recovery.	157
4.15		RJH-Touch Overview	159
	4.15.1	RJH-Touch Operation Mode Menu	160
	4.15.2	RJH-Touch Manual Jogging	161
	4.15.3	Tool Offsets with RJH-Touch	162
	4.15.4	Work Offsets with the RJH-Touch	163
4.16		Part Setup	164
	4.16.1	Jog Mode	164
	4.16.2	Setting Offsets	164
4.17		Run-Stop-Jog-Continue	172
4.18		Graphics Mode	174
4.19		More Information Online	175
Chapter 5		Programming	177
	5.1	Create / Select Programs for Editing	177
	5.2	Program Edit Modes.	177
		5.2.1 Basic Program Editing	177
		5.2.2 Manual Data Input (MDI).	180
		5.2.3 Background Edit	181
		5.2.4 Program Editor.	181
	5.3	Basic Programming	186
		5.3.1 Preparation	187
		5.3.2 Cutting	189
		5.3.3 Completion.	189
		5.3.4 Absolute vs. Incremental Positioning (G90, G91)	190
	5.4	Tool and Work Offset Calls	194
		5.4.1 G43 Tool Offset	194
		5.4.2 G54 Work Offsets	194

5.5	Miscellaneous Codes	195
5.5.1	Tool Functions (Tnn).	196
5.5.2	Spindle Commands	196
5.5.3	Program Stop Commands	196
5.5.4	Coolant Commands	197
5.6	Cutting G-codes	197
5.6.1	Linear Interpolation Motion	197
5.6.2	Circular Interpolation Motion	198
5.7	Cutter Compensation	199
5.7.1	General Description of Cutter Compensation	200
5.7.2	Entry and Exit from Cutter Compensation	203
5.7.3	Feed Adjustments in Cutter Compensation	204
5.7.4	Circular Interpolation and Cutter Compensation.	206
5.8	Canned Cycles	209
5.8.1	Drilling Canned Cycles	209
5.8.2	Tapping Canned Cycles	209
5.8.3	Boring and Reaming Cycles	210
5.8.4	R Planes	210
5.9	Special G-codes	210
5.9.1	Engraving	211
5.9.2	Pocket Milling	211
5.9.3	Rotation and Scaling.	211
5.9.4	Mirror Image	211
5.10	Subprograms	212
5.10.1	External Subprogram (M98)	212
5.10.2	Local Subprogram (M97)	215
5.10.3	External Subprogram Canned Cycle Example (M98)	216
5.10.4	External Subprograms With Multiple Fixtures (M98)	218
5.10.5	Setting Up Search Locations	220
5.10.6	More Information Online	220

Chapter 6	Options Programming	221
6.1	Introduction	221
6.2	Feature List	221
6.2.1	Purchased Options Enable/Disable	222
6.2.2	Option Tryout	222
6.3	Rotation and Scaling	222
6.4	Visual Programming System (VPS)	223
6.4.1	VPS Example	224
6.5	Rigid Tapping	226
6.6	M19 Spindle Orientation	226
6.7	High-Speed Machining	226
6.8	Additional Memory Options	226

Chapter 8	M-codes	409
	8.1 Introduction	409
	8.1.1 List of M-codes	409
	8.1.2 More Information Online	438
Chapter 9	Settings	439
	9.1 Introduction	439
	9.1.1 List of Settings	439
	9.2 Network Connection	501
	9.2.1 Network Icon Guide	502
	9.2.2 Network Connection Terms and Responsibilities	503
	9.2.3 Wired Connection Setup	504
	9.2.4 Wired Network Settings	505
	9.2.5 Wireless Connection Setup	505
	9.2.6 Wireless Network Settings	508
	9.2.7 Net Share Settings	508
	9.2.8 Haas Drop	510
	9.2.9 Haas Connect	511
	9.2.10 Remote Display View	511
	9.2.11 Machine Data Collection	513
	9.3 User Positions	517
	9.4 More Information Online	519
Chapter 10	Other Equipment	521
	10.1 More Information Online	521
	Index	523

Chapter 1: Safety

1.1 General Safety Notes

**CAUTION:**

Only authorized and trained personnel may operate this equipment. You must always act in accordance with the Operator's manual, safety decals, safety procedures, and instructions for safe machine operation. Untrained personnel present a hazard to themselves and the machine.

IMPORTANT:

Do not operate this machine until you have read all warnings, cautions, and instructions.

**CAUTION:**

The sample programs in this manual have been tested for accuracy, but they are for illustrative purposes only. The programs do not define tools, offsets, or materials. They do not describe workholding or other fixturing. If you choose to run a sample program on your machine, do so in Graphics mode. Always follow safe machining practices when you run an unfamiliar program.

All CNC machines present hazards from rotating cutting tools, belts and pulleys, high voltage electricity, noise, and compressed air. When you use CNC machines and their components, you must always follow basic safety precautions to reduce the risk of personal injury and mechanical damage.

The work area must be adequately illuminated to allow clear view and safe operation of the machine. This includes the operator work area and all areas of the machine that might be accessed during maintenance or cleaning. Adequate illumination is the responsibility of the user.

Cutting tools, workholding, workpiece and coolant are beyond the scope and control of Haas Automation, Inc. Each of these potential hazards associated with it (sharp edges, heavy lifting considerations, chemical composition, etc) and it is the responsibility of the user to take appropriate action (PPE, training, etc).

Cleaning of the machine is required during normal use and prior to maintenance or repair. Optional equipment is available to aid cleaning such as washdown hoses, chip conveyors and chip augers. Safe use of this equipment requires training and might require appropriate PPE and is the responsibility of the user.

This operator's manual is intended as a reference guide and is not to be the sole source of training. Complete operator training is available from the authorized Haas distributor.

1.1.1 Summary of Types of Operation for Haas Automation Machine Tools

Haas CNC Mills are intended for cutting and shaping of metals and other hard materials. They are general purpose in nature and a list of all of those materials and types of cutting would never be complete. Almost all cutting and shaping is performed by a rotating tool mounted in a spindle. Rotation of the mill is not required. Some cutting operations require liquid coolant. That coolant is also an option depending on the type of cutting.

Operations of Haas Mills are separated into three areas. They are: Operations, Maintenance, and Service. Operations and Maintenance are intended to be performed by a trained and qualified machine operator. This Operator's Manual contains some of the information necessary to operate the machine. All other machine operations are to be considered Service. Service is only to be performed by specially trained service personnel.

Operation of this machine consists of the following:

1. Machine Setup
 - Machine setup is done to initially set up the tools, offsets, and fixtures required to perform a repetitive function that later is called machine operation. Some machine setup functions can be done with the door open but are limited to "hold to run".
2. Machine operating in Automatic Mode
 - Automatic operation is initiated with Cycle-Start and can only be done with the doors closed.
3. Operator loading and unloading of materials (parts)
 - Parts loading and unloading is what precedes and follows an automatic operation. This must be done with the doors open and all machine automatic motion is stopped when the door is open.
4. Operator loading and unloading of cutting tools
 - Tool loading and unloading is done less often than setup. It is often required when a tool has become worn and must be replaced.

Maintenance only consists of the following:

1. Adding and maintaining condition of coolant
 - Adding coolant and maintaining coolant concentration is required at regular intervals. This is a normal operator function and is either done from a safe location outside of the work enclosure or with the doors open and the machine stopped.
2. Adding lubricants

- Adding lubricants for spindle and axes is required at regular intervals. These are often months or years in length. This is a normal operator function and is always done from a safe location outside of the work enclosure.
3. Cleaning chips out of the machine
 - Cleaning out of chips is required at intervals dictated by the type of machining performed. This is a normal operator function. It is performed with the doors open and all of the machine operation is stopped.

Service only consists of the following:

1. Repairing of a machine that is not operating correctly
 - Any machine that is not operating correctly requires service by factory trained personnel. This is never an operator function. It is not considered maintenance. Installation and service instructions are provided separately from the Operator's Manual.
2. Machine moving, unpacking, and installation
 - Haas machines are shipped to a user's location almost ready to operate. They still require a trained service person to complete the installation. Installation and service instructions are provided separately from the Operator's Manual.
3. Machine packing
 - Machine packing for shipment requires the same packing material supplied by Haas in the original shipment. Packing requires a trained service person to complete the installation. Shipping instructions are provided separately from the Operator's Manual.
4. Decommission, dismantle and disposal
 - Machine is not expected to be disassembled for shipment; it can be moved in its entirety in the same manner in which it was installed. Machine can be returned to the manufacturer's distributor for disposal; manufacturer accepts any/all components for recycling per Directive 2002/96/EC.
5. End-of-life disposal
 - End-of-life disposal must conform to the laws and regulations in the region the machine is located. This is a jointly the responsibility of the owner and seller of the machine. The risk analysis does not address this phase.

1.1.2 Read Before Operating



DANGER:

Do not enter the machining area any time the machine is in motion, or at any time that machine motion is possible. Severe injury or death may result. Motion is possible when the power is on and the machine is not in [EMERGENCY STOP].

Basic safety:

- This machine can cause severe bodily injury.
- This machine is automatically controlled and may start at any time.
- Consult your local safety codes and regulations before you operate the machine. Contact your dealer if you have questions about safety issues.
- It is the machine owner's responsibility to make sure that everyone who is involved in installing and operating the machine is fully acquainted with the operation and safety instructions provided with the machine, BEFORE they work with the machine. The ultimate responsibility for safety rests with the machine owner and the individuals who work with the machine.
- Use appropriate eye and ear protection when you operate the machine.
- Use appropriate gloves to remove processed material and to clean the machine.
- Replace windows immediately if they are damaged or severely scratched.
- Keep the side windows locked during operation (if available).

Electrical safety:

- The electrical power must meet the required specifications. Attempting to run the machine from any other source can cause severe damage and will void the warranty.
- The electrical panel should be closed and the key and latches on the control cabinet should be secured at all times, except during installation and service. At those times, only qualified electricians should have access to the panel. When the main circuit breaker is on, there is high voltage throughout the electrical panel (including the circuit boards and logic circuits) and some components operate at high temperatures; therefore, extreme caution is required. Once the machine is installed, the control cabinet must be locked, with the key available only to qualified service personnel.
- Do not reset a circuit breaker until the reason for the fault is investigated and understood. Only Haas-trained service personnel should troubleshoot and repair Haas equipment.
- Do not press **[POWER UP]** on the control pendant before the machine is fully installed.

Operation Safety:

**DANGER:**

To avoid injury verify that the spindle has stopped turning before opening the doors. In the event of a loss of power the spindle will take much longer to coast to a stop.

- Do not operate the machine unless the doors are closed and the door interlocks are functioning correctly.
- Check for damaged parts and tools before you operate the machine. Any part or tool that is damaged should be properly repaired or replaced by authorized personnel. Do not operate the machine if any component does not appear to be functioning correctly.
- Rotating cutting tools can cause severe injury. When a program runs, the mill table and spindle head can move rapidly at any time.
- Improperly clamped parts machined at high speeds/feeds may be ejected and puncture the enclosure. It is not safe to machine oversized or marginally clamped parts.

**CAUTION:**

Manual or Automatic closing of the enclosure doors is a potential pinch point. With Auto Door, the door may be programmed to close automatically, or by pressing the door open/close button on the operators pendant. Avoid putting hands or appendages in the door while closing either manually or automatically.

Release of person trapped in the machine:

- No person should ever be located inside the machine during operation.
- In the unlikely event that a person is trapped inside the machine the emergency stop button should be immediately be depressed and the person removed.
- If the person is pinched or entangled the machine should be powered off; then the machine axes can be moved by use of a large external force in the direction required to free the person.

Recover from a jam or blockage:

- Of the chip conveyor - Follow the cleaning instructions on the Haas service site (go to www.haascnc.com click on the Service tab). If necessary, close the doors and reverse the conveyor so the jammed part or material is accessible, and remove. Use lifting equipment or get assistance for lifting heavy and awkward parts.
- Of a tool and material/part - Close the doors, press **[RESET]** to clear and displayed alarms. Jog the axis so the tool and material are clear.
- Of the Automatic Tool Changer/tool and spindle - Press **[RECOVER]** and follow the on-screen instructions.

- If the alarms do not reset or you are unable to clear a blockage, contact your Haas Factory Outlet (HFO) for assistance.

Follow these guidelines when you work with the machine:

- Normal operation - Keep the door closed and guards in place (for non-enclosed machines) while the machine operates.
- Part loading and unloading – An operator opens the door, completes the task, closes the door, and then presses **[CYCLE START]** (starting automatic motion).
- Machining job set-up – When set-up is complete, turn the set-up key to lock out set-mode and remove the key.
- Maintenance / Machine Cleaner– Press **[EMERGENCY STOP]** or **[POWER OFF]** on the machine before you enter the enclosure.

Periodic inspection of machine safety features:

- Press any of the Emergency Stop buttons to verify all motion is stopped and a 107 EMERGENCY STOP Alarm is displayed.
- A monthly inspection of each Emergency Stop button should be performed.
- Inspect door interlock mechanism for proper fit and function.
- Inspect safety windows and enclosure for damage or leaks.
- Verify all enclosure panels are in place.

Door Safety Interlock inspection:

- Inspect the door interlock, verify the door interlock key is not bent, misaligned, and that all fasteners are installed.
- Inspect the door interlock itself for any signs of obstruction or misalignment.
- Immediately replace any components of the Door Safety Interlock system that do not meet this criteria.

Door Safety Interlock verification:

- With the machine in run mode, close the machine door, run the spindle at 100 RPM, pull the door and verify the door does not open.

Machine Enclosure and Safety Glass inspection and testing:

Routine Inspection:

- Visually inspect the enclosure and safety glass for any signs of distortion, breakage or other damage.
- Replace the Lexan windows after 7 years or if they are damaged or severely scratched.
- Keep all safety glass and machine windows clean to allow proper viewing of the machine during operations.
- A daily visual inspection of the machine enclosure to verify all panels are in place should be performed.

Testing of machine enclosure:

- No testing of the machine enclosure is necessary.

1.1.3 Machine Environmental Limits

This table list the environmental limits for safe operation:

T1.1: Environmental Limits (Indoor Use Only)

	Minimum	Maximum
Operating Temperature	41 °F (5.0 °C)	122 °F (50.0 °C)
Storage Temperature	-4 °F (-20.0 °C)	158 °F (70.0 °C)
Ambient Humidity	20% relative, non-condensing	90% relative, non-condensing
Altitude	Sea Level	6,000 ft. (1,829 m)



CAUTION: *Do not operate the machine in explosive atmospheres (explosive vapors and/ or particulate matter).*

Machine with Haas Robot Package

Machine and robot environment is intended to be a machine shop or industrial installation. Shop lighting is the users responsibility.

1.1.4 Machine Noise Limits



CAUTION: *Take precautions to prevent hearing damage from machine/machining noise. Wear ear protection, change your application (tooling, spindle speed, axis speed, fixturing, programmed path) to reduce noise, or restrict access to machine area during cutting.*

Typical noise levels at the operator's position during normal operation are as follows:

- **A-Weighted** sound pressure level measurements will be 69.4dB or lower.
- **C-Weighted** instantaneous sound pressure levels will be 78.0dB or lower.
- **LwA** (sound power level A-weighted) will be 75.0dB or lower.



NOTE:

Actual noise levels while cutting material are greatly affected by the user's choice of material, cutting tools, speeds and feeds, workholding and other factors. These factors are application specific and are controlled by the user, not Haas Automation Inc.

1.2 Unattended Operation

Fully enclosed Haas CNC machines are designed to operate unattended; however, your machining process may not be safe to operate unmonitored.

As it is the shop owner's responsibility to set up the machine safely and use best practice machining techniques, it is also the owner's responsibility to manage the progress of these methods. You must monitor your machining process to prevent damage, injury, or loss of life if a hazardous condition occurs.

For example, if there is the risk of fire due to the material machined, then you must install an appropriate fire suppression system to reduce the risk of harm to personnel, equipment, and the building. Contact a specialist to install monitoring tools before machines are allowed to run unattended.

It is especially important to select monitoring equipment that can immediately detect a problem and perform an appropriate action without human intervention.

1.3 Door Rules - Run / Setup Mode

All Haas CNC machines are equipped with locks on the operator doors and a key switch on the side of the control pendant to lock and unlock setup mode. Generally, setup mode status (locked or unlocked) affects how the machine operates when the doors are opened.

Setup mode should be locked out (the keyswitch in the vertical, locked position) at most times. In Run and in Setup mode, the enclosure doors are locked closed during CNC program execution, spindle rotation or axis movement. The doors automatically unlock when the machine is not in cycle. Many machine functions are unavailable with the door open.

When unlocked, setup mode allows a skilled machinist more access to the machine to set up jobs. In this mode, machine behavior is dependent on whether the doors are opened or closed. The following charts summarize the modes and allowed functions.



CAUTION:

***Haas Robot Package:** Care should be taken in Setup mode - Only time Robot can move while cage is open. For more information on the Haas Robot Package refer to the "Haas Robot Package" on page 10*

**NOTE:**

All these conditions follow assuming that the door is open and stays open before, during and the actions occur.

T1.2: Mill - Run/Setup Mode Restrictions

Machine Function	RUN Mode	SETUP Mode
Air Blast (AAG) On	Not allowed.	Not allowed.
Axis Jog using the Pendant Handle Jog	Not allowed.	Allowed.
Axis Jog using the RJH Handle Jog	Not allowed.	Allowed.
Axis Jog using the RJH shuttle knob	Not allowed.	Not allowed.
Axis Rapid using Home G28 or Second Home	Not allowed.	Not allowed.
Axis Zero Return	Not allowed.	Not allowed.
Automatic Pallet Change	Not allowed.	Not allowed.
APC Operation Buttons	Not allowed.	Not allowed.
Chip Conveyor [CHIP FWD, REV]	Not allowed.	Not allowed.
[COOLANT] button on pendant	Not allowed.	Allowed.
[COOLANT] button on RJH.	Not allowed.	Allowed.
Move Programmable Coolant Spigot	Not allowed.	Allowed.
Orient Spindle	Not allowed.	Not allowed.
Run a program, [CYCLE START] button on the pendant	Not allowed.	Not allowed.
Run a program [CYCLE START] button on the RJH	Not allowed.	Not allowed.

Machine Function	RUN Mode	SETUP Mode
Run a program (Pallet)	Not allowed.	Not allowed.
Spindle [FWD] / [REV] button on the pendant	Not allowed.	Not allowed.
Spindle [FWD] / [REV] on the RJH	Not allowed.	Not allowed.
Tool Change [ATC FWD] / [ATC REV] .	Not allowed.	Not allowed.
Tool Release from Spindle	Allowed.	Allowed.
Through Spindle Coolant (TSC) On	Not allowed.	Not allowed.
Tool Air Blast (TAB) On	Not allowed.	Not allowed.



DANGER:

Do not attempt to override safety features. Doing so makes the machine unsafe and voids the warranty.

1.3.1 Robot Cells

A machine in a robot cell is allowed to run a program while the door is open, regardless of the position of the Run-Setup key. While the door is open, the spindle speed is limited to the lower of the factory RPM limit or Setting 292, Door Open Spindle Speed Limit. If the door is opened while the spindle RPM is above the limit, the spindle will decelerate to the limit RPM. Closing the door removes the limit and the programmed RPM is restored.

This open-door condition is allowed only while a robot communicates with the CNC machine. Typically, an interface between the robot and the CNC machine addresses the safety of both machines.

1.4 Haas Robot Package

The Haas designed work cell made up of a CNC machine and a robot has been evaluated for CE compliance. Changes or variations to the Haas cell design should be re-evaluated for compliance to the applicable standards and are the responsibility of the user/integrator.

Robot is controlled by the CNC it is paired with. It does not respond to any external commands as it could cause hazardous conditions. Do not leave a network connection plugged into the robot controller. No remote control is permitted.

Run Mode

When in Run mode, unlocking the interlock and opening up the gate stops all motion, and no motion can be started until it is closed and locked.

Setup Mode

In Set up mode, speed limited motion such as jogging an axis of the robot can be performed in order to program a robot's path of motion, pick up position, set a robot's tool center point, (an offset), load and pick up parts from the spindle or part holder in the machine, etc. The robot program will also be able to be run slowly to prove out the programmed path of the robot.

**NOTE:**

The max robot speed in setup mode is 7.9 in/sec (200mm/sec).

Robot Motion

Manual motion is only permitted in set up mode and is recommended only with limited speed of motion. High speed is permitted but 500mm clearance for the safety of the operator is required. This requires the set up and verification of DCS/keep out zone(s).

**WARNING:**

Startup of automatic motion with someone in the fenced in area is controlled by the operator. The hazardous area is visible from the remote jog pendant outside of the fenced in area surrounding the robot. Verify nobody is in the fenced in area before starting an automatic operation.

Lighting

Level of task lighting required for the robot installation is to be provided by the end user. The robot does not require any lighting. But, light will be required for a user to load or unload parts or to perform maintenance, or service.

Installation

The Haas Robot Package installation procedure is located on the website. This procedure describes and verifies the functionality of the enabling device at install, i.e the buttons and how the remote jog handle is intended to be used. Scan the code below with your mobile device to go directly to the procedure.

F1.1: Haas Robot Package 1 - VMC Installation



Haas Robot - FANUC Dual Check Safety (DCS)

Each Haas Robot is provided with FANUC's DCS System. This allows the user to define speed and positional limits to the robot. If the robot goes outside of these limits, DCS will stop the robot and remove power to the motors.



NOTE:

Verify proper setup of the DCS zones at the time of robot installation and every 6 months. It should also be verified after a new job has been set up. Scan the code below with your mobile device to go directly to the procedure.

F1.2: Haas Robot - FANUC Dual Check Safety - Setup



Operation

Recommendation of PPE including but not limited to gloves to protect from sharp edges and chips, eye glasses for eye protection, steel toed shoes etc. when handling parts or loading/unloading parts for the robot to handle.



WARNING:

Loss of air pressure may cause the gripper to allow a part being held to slip or be dropped. Users should review grippers that they purchase and determine how they will respond to a loss of power or air pressure, so they know how to minimize any potential hazard.

The Haas Robot - Quick Start Guide is located on the website. This procedure helps the user set up a job with the Haas Robot. Scan the code below with your mobile device to go directly to the procedure.

F1.3: Haas Robot - Quick Start Guide



1.5 Mist Extraction / Enclosure Evacuation

Some models have a provision installed that will allow for a mist extractor to be attached to the machine. There is also an optional enclosure exhaust system available that helps keep the mist out of the machine enclosure.

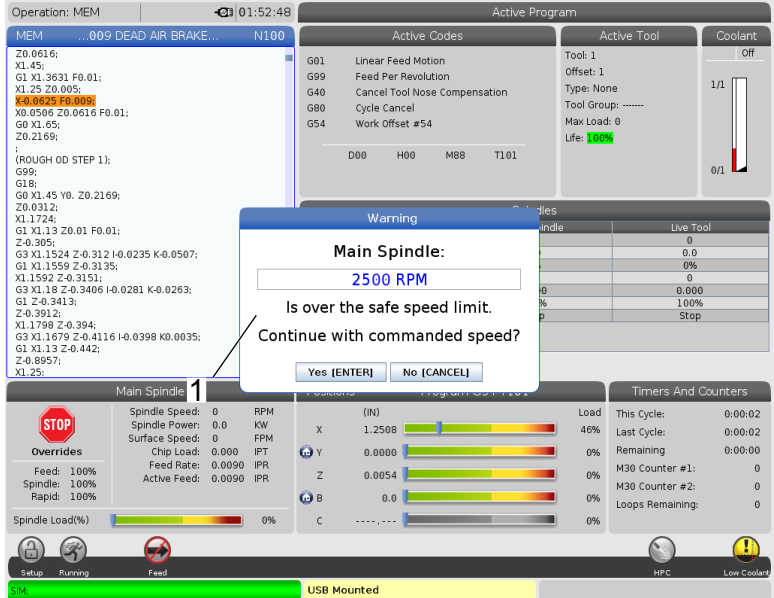
It is entirely up to the owner/operator to determine if and what type of mist extractor is best suited for the application.

The owner/operator assumes all responsibility for the installation of the mist extraction system.

1.6 Spindle Safety Limit

Starting in software version 100.19.000.1100 a spindle safety limit has been added to the control.

F1.4: Spindle Safety Limit Popup [1]



This feature will display a warning message when the **[FWD]** or **[REV]** button is pressed and the previous commanded spindle speed is above the Spindle Maximum Manual Speed parameter. Press **[ENTER]** to go to the previous commanded spindle speed or press **[CANCEL]** to cancel the action.

T1.3: Spindle Maximum Manual Speed Parameter Values

Machine / Spindle Option	Spindle Maximum Manual Speed
Mills	5000
TL	1000
ST-10 through ST-20	2000
ST-30 through ST-35	1500
ST-40	750
Live Tool	2000

**NOTE:**

These values can not be changed.

1.7 Modifications to the Machine

Haas Automation, Inc. is not responsible for damage caused by modifications you make to your Haas machine(s) with parts or kits not manufactured or sold by Haas Automation, Inc. The use of such parts or kits may void your warranty.

Some parts or kits manufactured or sold by Haas Automation, Inc. are considered user-installable. If you choose to install these parts or kits yourself, be sure to completely read the accompanying installation instructions. Make sure you understand the procedure, and how to do it safely, before you begin. If you have any doubts about your ability to complete the procedure, contact your Haas Factory Outlet (HFO) for assistance.

1.8 Improper Coolants

Coolant is an important part of many machining operations. When it is correctly used and maintained, coolant can improve part finish, lengthen tool life, and protect machine components from rust and other damage. Improper coolants, however, can cause significant damage to your machine.

Such damage can void your warranty, but it can also introduce hazardous conditions to your shop. For example, coolant leaks through damaged seals could create a slipping hazard.

Improper coolant use includes, but is not limited to, these points:

- Do not use plain water. This causes machine components to rust.
- Do not use flammable coolants.
- Do not use straight or “neat” mineral-oil products. These products cause damage to rubber seals and tubing throughout the machine. If you use a minimum-quantity lubrication system for near-dry machining, use only the recommended oils.

Machine coolant must be water-soluble, synthetic oil-based or synthetic-based coolant or lubricant.

**NOTE:**

Be sure to maintain your coolant mixture to keep the coolant concentrate at acceptable levels. Improperly maintained coolant mixtures can allow machine components to rust. Rust damage is not covered by your warranty.

Ask your HFO or your coolant dealer if you have questions about the specific coolant that you plan to use.

1.9 Safety Decals

The Haas factory puts decals on your machine to quickly communicate possible hazards. If decals become damaged or worn, or if you need additional decals to emphasize a particular safety point, contact your Haas Factory Outlet (HFO).



NOTE:

Never alter or remove any safety decal or symbol.

Be sure to familiarize yourself with the symbols on the safety decals. The symbols are designed to quickly tell you the type of information they give:

- Yellow Triangle - Describes a hazard.
- Red Circle with Slash-Through - Describes a prohibited action.
- Green Circle - Describes a recommended action.
- Black Circle - Gives information about machine or accessory operation.





F1.5: Example Safety Decal Symbols: [1] Hazard Description, [2] Prohibited Action, [3] Recommended Action.






1.9.1 Decal Symbols Reference



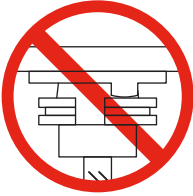


This section gives explanations and clarifications for the safety symbols you will see on your machine.

T1.4: Hazard Symbols – Yellow Triangles



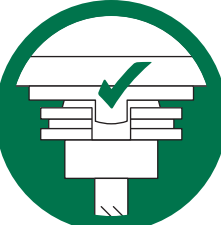

Symbol	Description
	<p>Moving parts can entangle, trap, crush, and cut. Keep all parts of your body away from machine parts when they move, or whenever motion is possible. Motion is possible when the power is on and the machine is not in [EMERGENCY STOP]. Secure loose clothing, hair, etc. Remember that automatically controlled devices can start at any time.</p>
	<p>Do not touch rotating tools. Keep all parts of your body away from machine parts when they move, or whenever motion is possible. Motion is possible when the power is on and the machine is not in [EMERGENCY STOP]. Sharp tools and chips can easily cut skin.</p>
	<p>The Regen is used by the spindle drive to dissipate excess power and will get hot. Always use care around the Regen.</p>
	<p>There are high voltage components on the machine that can cause electrical shock. Always use care around high voltage components.</p>

Symbol	Description
	<p>There are high voltage components on the machine that can cause electrical shock.</p> <p>Take care to avoid opening electrical enclosure unless components are de-energized or proper personal protective equipment is worn. Arc flash ratings are on the nameplate.</p>
	<p>Long tools are dangerous, especially at spindle speeds higher than 5000 RPM. The tools can break and eject from the machine.</p> <p>Remember that machine enclosures are intended to stop coolant and chips. Enclosures may not stop broken tools or thrown parts.</p> <p>Always check your setup and tooling before you start machining.</p>
	<p>Machining operations can create hazardous chips, dust or mist. This is function of the materials being cut, the metalworking fluid and cutting tools used and the machining speeds/feeds.</p> <p>It is up to the owner/operator of the machine to determine if personal protective equipment such as safety goggles or a respirator is required and also if a mist extraction system is needed.</p> <p>Some models have a provision for connecting a mist extraction system.</p> <p>Always read and understand the Safety Data Sheets (SDS) for the workpiece material, the cutting tools and the metalworking fluid.</p>

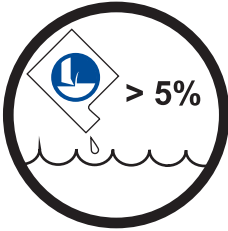
T1.5: Prohibited Action Symbols – Red Circles with Slash-Through

Symbol	Description
	<p>Do not enter the machine enclosure when the machine is capable of automatic motion.</p> <p>When you must enter the enclosure to complete tasks, press [EMERGENCY STOP] or power off the machine. Put a safety tag on the control pendant to alert other people that you are inside the machine, and that they must not turn on or operate the machine.</p>
	<p>Do not machine ceramics.</p>
	<p>Do not attempt to load tools with the spindle dogs misaligned with the cutouts in the toolholder V-Flange.</p>
	<p>Do not machine flammable materials.</p> <p>Do not use flammable coolants.</p> <p>Flammable materials in particulate or vapor form can become explosive.</p> <p>The machine enclosure is not designed to contain explosions or extinguish fire.</p>
	<p>Do not use pure water as coolant. This will cause machine components to rust.</p> <p>Always use a rust-inhibitive coolant concentrate with water.</p>

T1.6: Recommended Action Symbols – Green Circles

Symbol	Description
	<p>Keep the machine doors closed.</p>
	<p>Always wear safety glasses or goggles when you are near a machine. Airborne debris can cause eye damage. Always wear hearing protection when you are near a machine. Machine noise can exceed 70 dBA.</p>
	<p>Make sure the spindle dogs are correctly aligned with the cutouts in the toolholder V-flange.</p>
	<p>Note the location of the tool release button. Press this button only when you are holding the tool. Some tools are very heavy. Handle these tools carefully; use both hands and have someone press the tool release button for you.</p>

T1.7: Informational Symbols – Black Circles

Symbol	Description
	<p>Maintain the recommended coolant concentration.</p> <p>A “lean” coolant mixture (less concentrated than recommended) may not effectively prevent machine components from rusting.</p> <p>A “rich” coolant mixture (more concentrated than recommended) wastes coolant concentrate without further benefit over the recommended concentration.</p>

1.9.2 Other Safety Information

You may find other decals on your machine, depending on the model and options installed. Be sure to read and understand these decals.

1.9.3 More Information Online

For updated information, including tips, tricks, maintenance procedures, and more, visit the Haas Service page at www.HaasCNC.com.

For the most current Operator’s and Service Manuals scan the code below with your mobile device:

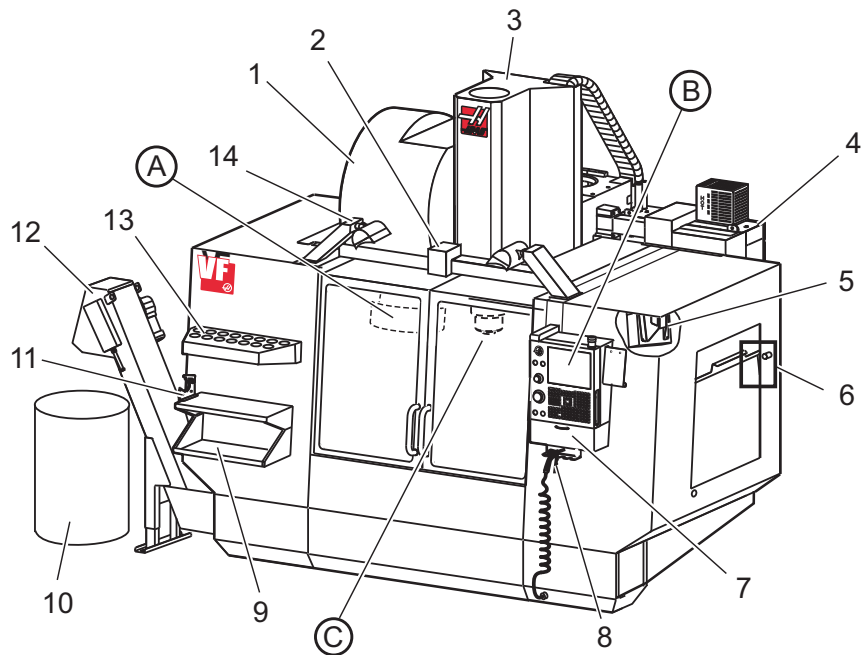


Chapter 2: Introduction

2.1 Vertical Mill Overview

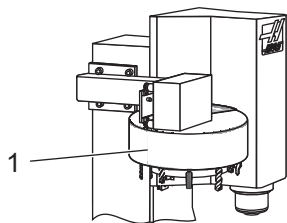
The following figures show some of the standard and optional features of your Haas Vertical Mill. Note that these figures are representative only; your machine's appearance may vary depending on the model and installed options.

F2.1: Vertical Mill Features (front view)



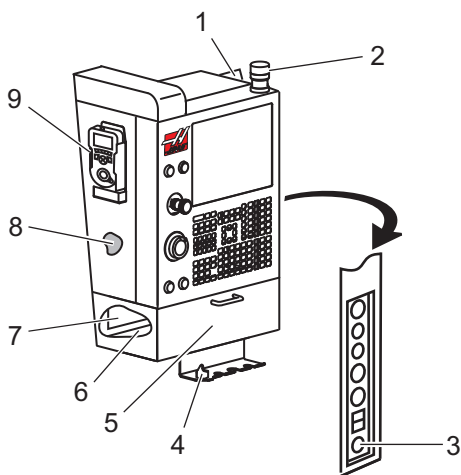
- | | |
|---|--------------------------------------|
| 1. Side Mount Tool Changer (optional) | A. Umbrella Tool Changer (not shown) |
| 2. Auto Door (optional) | B. Control Pendant |
| 3. Spindle Assembly | C. Spindle Head Assembly |
| 4. Electrical Control Box | |
| 5. Work Light (2X) | |
| 6. Window Controls | |
| 7. Storage Tray | |
| 8. Air Gun | |
| 9. Front Work Table | |
| 10. Chip Container | |
| 11. Tool Holding Vise | |
| 12. Chip Conveyor (optional) | |
| 13. Tool Tray | |
| 14. High Intensity Lights (2X) (optional) | |

F2.2: Detail A



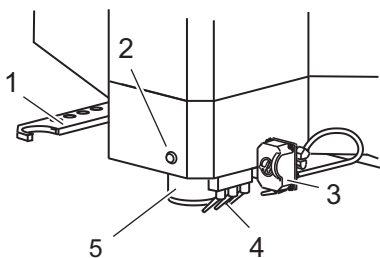
1. Umbrella-Style Tool Changer

F2.3: Detail B



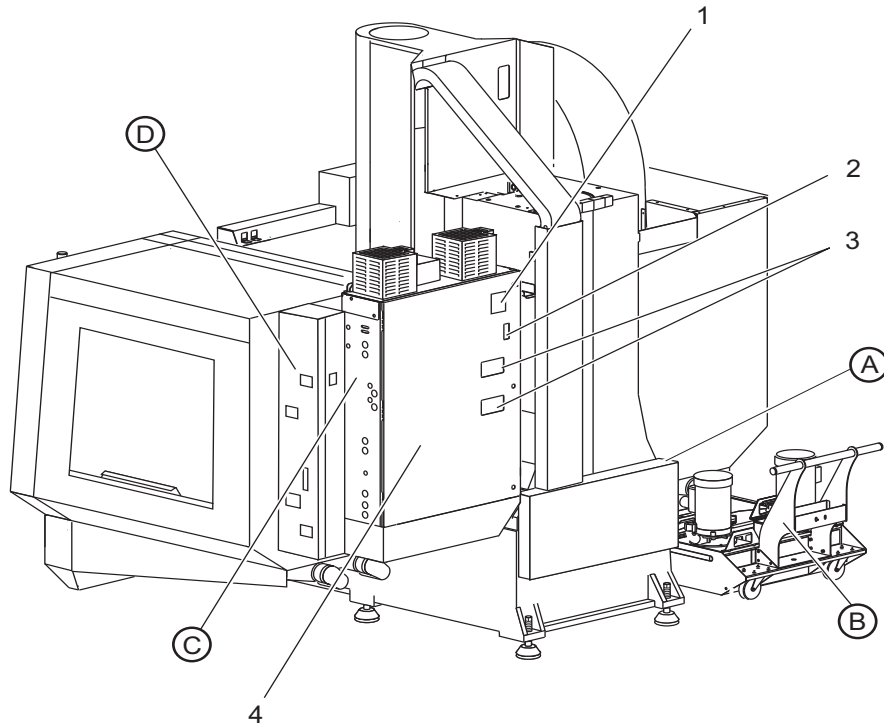
1. Clipboard
2. Work Beacon
3. Hold To Run (where equipped)
4. Vise Handle Holder
5. Storage Pull Down Access Door
6. Tool Tray
7. G- and M-code Reference List
8. Operator's Manual and Assembly Data (stored inside)
9. Remote Jog Handle

F2.4: Detail C

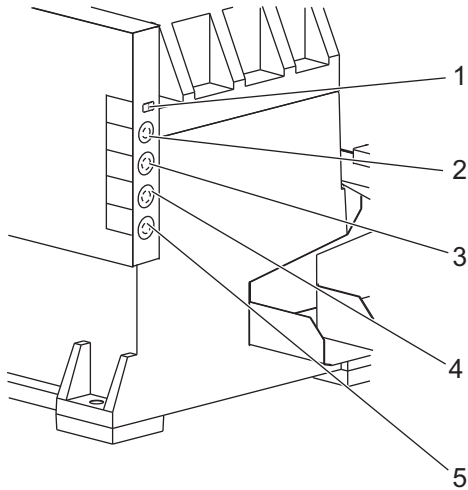


1. SMTC Double Arm (if equipped)
2. Tool Release Button
3. Programmable Coolant (optional)
4. Coolant Nozzles
5. Spindle

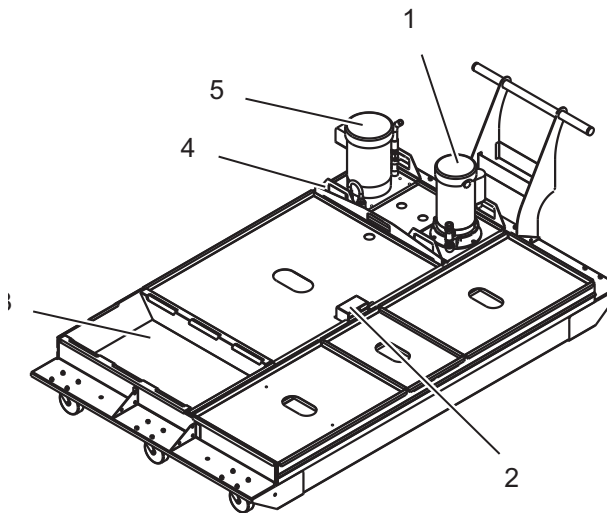
F2.5: Vertical Mill Features (rear view)



- | | |
|---|--|
| 1. Data Plate | A Electrical Connectors |
| 2. Main Circuit Breaker Switch | B Coolant Tank Assembly (movable) |
| 3. Vector Drive Fan (runs intermittently) | C Electrical Control Cabinet Side Panel |
| 4. Control Cabinet | D Consolidated Air-Lubrication Module (CALM) |

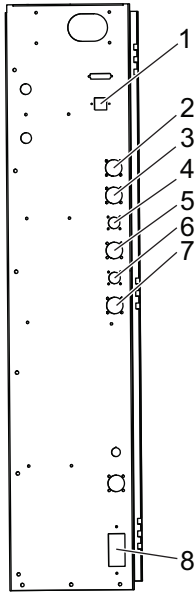
F2.6: Detail A - Electrical Connectors

1. Coolant Level Sensor
2. Coolant (Optional)
3. Auxiliary Coolant (Optional)
4. Washdown (Optional)
5. Conveyor (Optional)

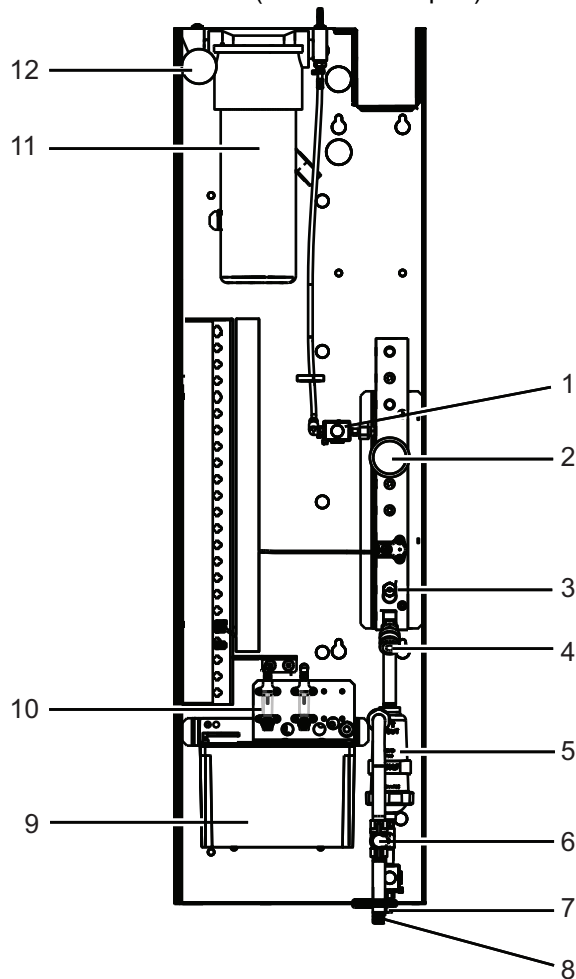
F2.7: Detail B

1. Standard Coolant Pump
2. Coolant Level Sensor
3. Chip Tray
4. Strainer
5. Through-Spindle Coolant Pump

F2.8: Detail C



1. Ethernet (Optional)
2. A-Axis Scale (Optional)
3. B-Axis Scale (Optional)
4. A-Axis Power (Optional)
5. A-Axis Encoder (Optional)
6. B-Axis Power (Optional)
7. B-Axis Encoder (Optional)
8. 115 VAC @ 0.5A

F2.9: Detail D (access door open)

1. Min Lubrication Grease Solenoid
2. Air Pressure Gauge
3. Air Relief Valve
4. Rotary Table Air Supply
5. Air/Water Separator
6. Air Shut Off Valve
7. Purge Solenoid
8. Air Inlet Port
9. Spindle Lubrication Reservoir
10. Spindle Lubrication Sight Glass (2)
11. Axis Lubrication Grease Reservoir
12. Grease Pressure Gauge

**NOTE:**

More details are shown on the decals inside of the access door.

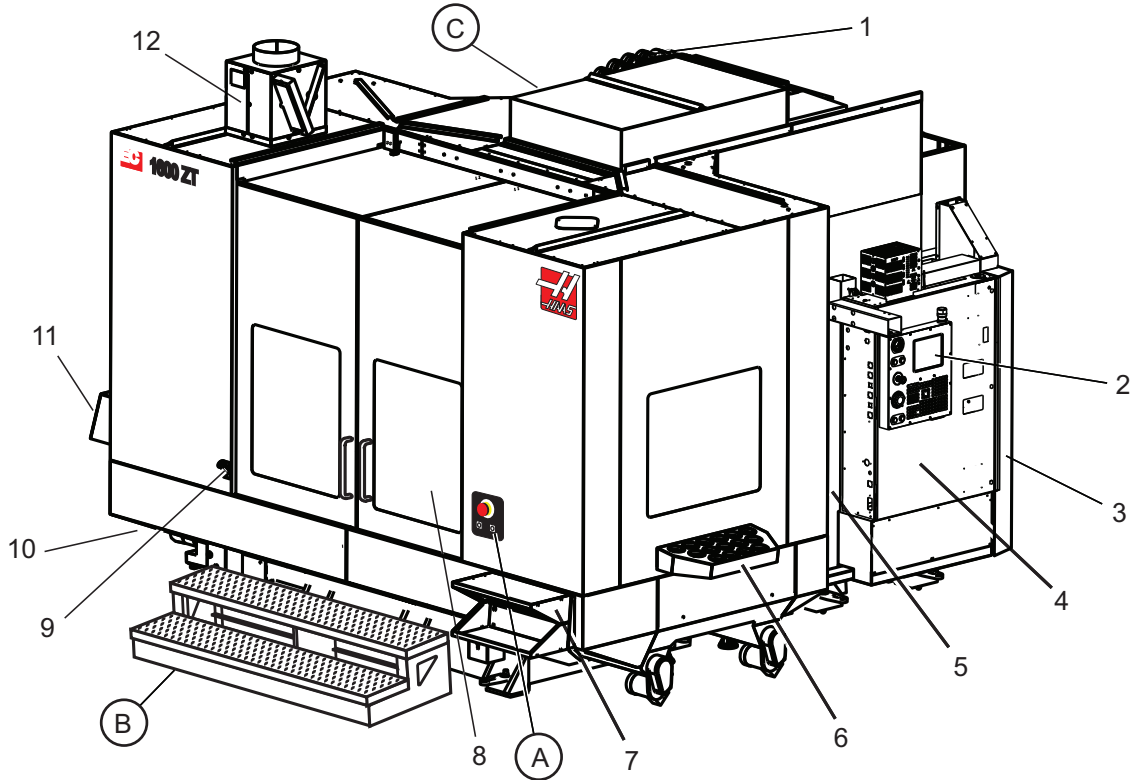
2.2 EC-1600 Overview

The following figures show some of the standard and optional features of your EC-1600 horizontal mill. Some features are common with the vertical mill.

**NOTE:**

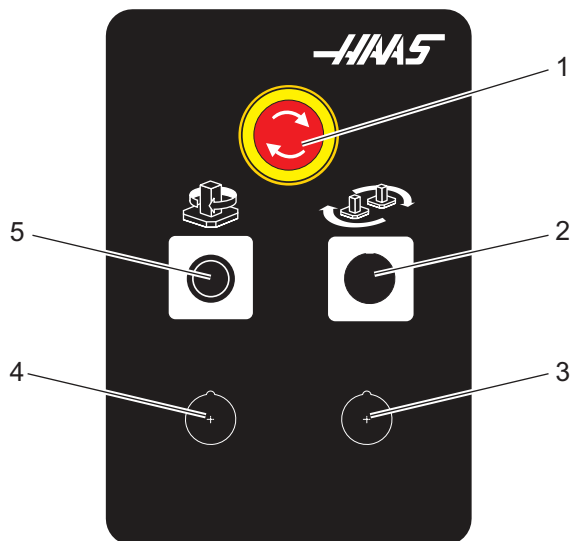
These figures are representative only; your machine's appearance may vary depending on the model and installed options.

F2.10: Horizontal Mill Features (EC-1600ZT, front view)



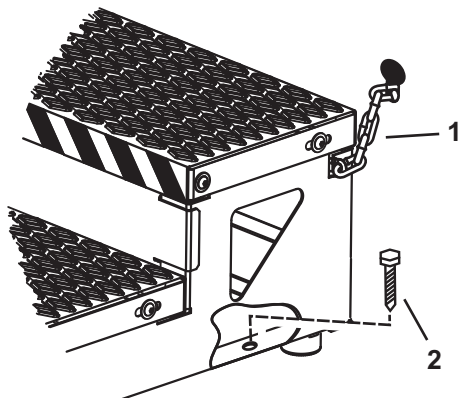
- | | |
|---|--------------------------|
| 1. Side Mount Tool Changer SMTC | A Rotary Control |
| 2. Control Pendant | B Work Access Steps |
| 3. Consolidated Air-Lubrication Module (CALM) | C Secondary ATC Controls |
| 4. Electrical Control Box | |
| 5. Operator Spindle Access Door | |
| 6. Tool Tray | |
| 7. Front Work Table | |
| 8. Work Access Doors | |
| 9. Air Gun Holder | |
| 10. Coolant Tank Assembly (movable) | |
| 11. Dual Chip Conveyor | |
| 12. Enclosure Exhaust System (optional) | |

F2.11: Detail A



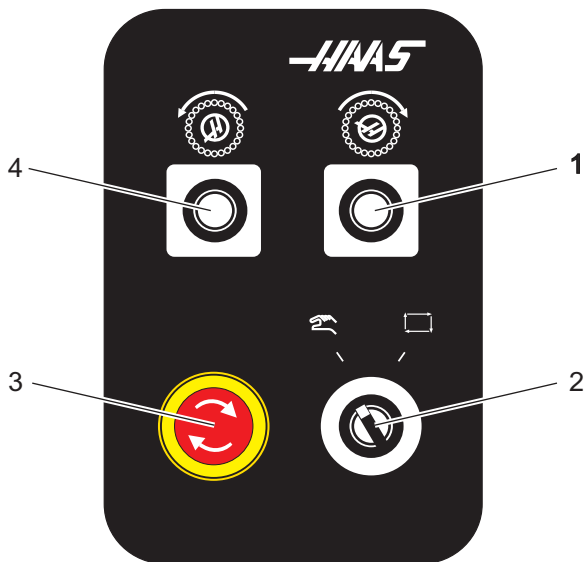
1. Emergency Stop Button
2. (Optional)
3. (Optional)
4. (Optional)
5. Rotary Index Button

F2.12: Detail B



1. Chain to Enclosure
 2. Floor Anchor Bolt
- Secure the work platform with chains to the enclosure or bolts to the floor.

F2.13: Detail C



1. Secondary ATC Forward Button
2. Manual/Automatic Tool Change Switch (enables/disables [1] and [4] buttons)
3. Emergency Stop Button
4. Secondary ATC Reverse Button

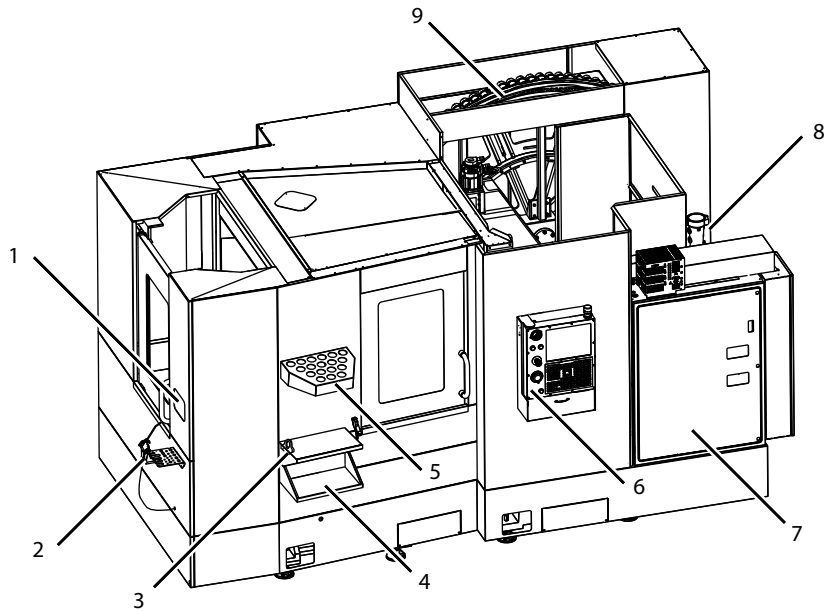
2.2.1 EC-400, EC-400PP Overview

The following figures show some of the standard and optional features of your EC-400, EC-400PP horizontal mill. Some features are common with the vertical mill.



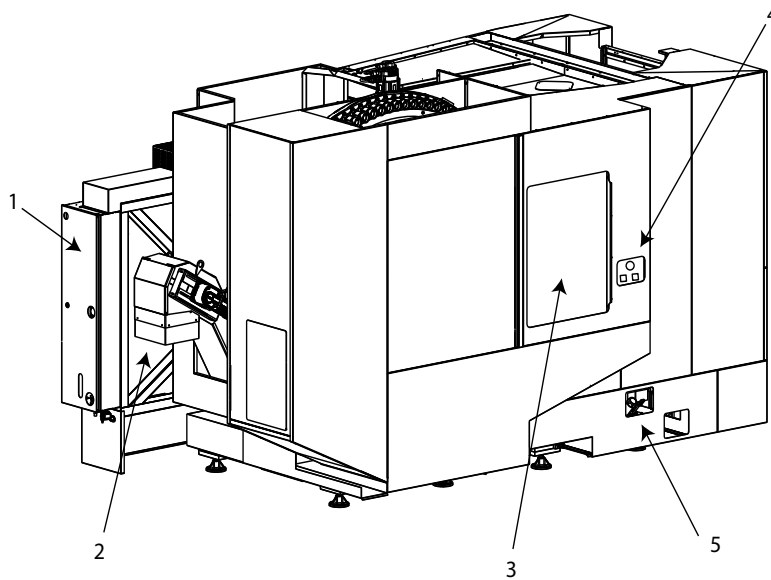
NOTE:

These figures are representative only; your machine's appearance may vary depending on the model and installed options.

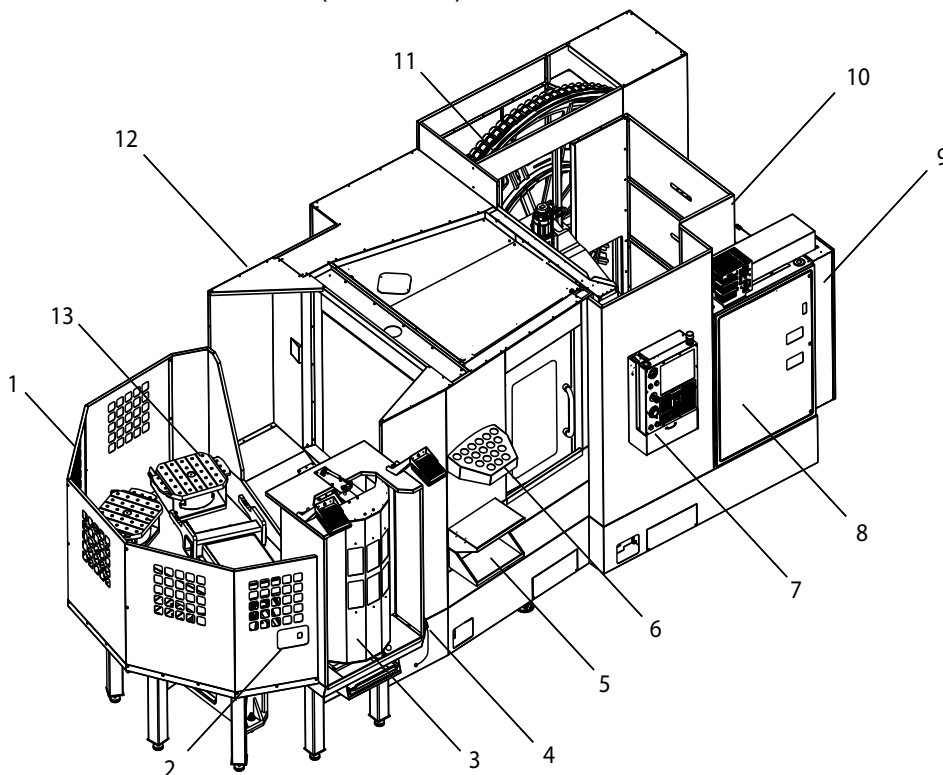
F2.14: Horizontal Mill Features (EC-400, front view)

1. Load Station Emergency Stop
2. Air Gun
3. Tool Holding Vise
4. Front Table
5. Tool Crib
6. Control Pendant
7. Electrical Cabinet
8. Coolant Filters
9. Side Mount Tool Changer

F2.15: Horizontal Mill Features (EC-400, Rear Left view)



1. Lubrication Panel
2. Chip Conveyor
3. Tool Changer Access Door
4. Tool Changer Emergency Stop
5. Hydraulic Oil Refill

F2.16: Horizontal Mill Features (EC-400PP)

1. Pallet Pool Assembly
2. Pallet Pool Emergency Stop
3. Pallet Pool Load Station
4. Air Gun
5. Front Table
6. Tool Crib
7. Control Pendant
8. Electrical Cabinet
9. Lubrication Panel
10. Coolant Filters
11. Side Mount Tool Changer
12. Tool Changer Emergency Stop
13. Hydraulic Oil Refill
14. Pallet Pool Slider Assembly







2.3 Control Pendant

The control pendant is the main interface to your Haas machine. This is where you program and run your CNC machining projects. This control pendant orientation section describes the different pendant sections:

- Pendant front panel
- Pendant right side, top, and bottom
- Keyboard
- Control display

2.3.1 Pendant Front Panel







T2.1: Front Panel Controls

Name	Image	Function
[POWER ON]		Powers the machine on.
[POWER OFF]		Powers the machine off.
[EMERGENCY STOP]		Press to stop all axis motion, disable servos, stop the spindle and tool changer, and turn off the coolant pump.
[HANDLE JOG]		This is used to jog axes (select in [HANDLE JOG] Mode). Also used to scroll through program code or menu items while editing.
[CYCLE START]		Starts a program. This button is also used to start a program simulation in graphics mode.
[FEED HOLD]		Stops all axis motion during a program. The spindle continues to run. Press [CYCLE START] to cancel.

2.3.2 Pendant Right Side, and Top Panels

The following tables describe the right side, top, and bottom of the pendant.

T2.2: Right Side Panel Controls

Name	Image	Function
USB		Plug compatible USB devices into this port. It has a removable dust cap.
Memory Lock		In the locked position, this keyswitch prevents alterations to programs, settings, parameters, and offsets.
Setup Mode		In the locked position, this keyswitch enables all machine safety features. Unlock allows setup (refer to “Setup Mode” in the Safety section of this manual for details).
Second Home		Press to rapid all axes to the coordinates specified in settings 268 - 270. (Refer to “Settings 268 - 270” in the Settings section of this manual for details).
Auto Door Override		Press this button to open or close the Auto Door (if equipped).
Worklight		These buttons toggle the internal worklight and High Intensity Lighting (if equipped).

T2.3: Pendant Top Panel

Beacon Light	
Provides quick visual confirmation of the machine's current status. There are five different beacon states:	
Light Status	Meaning
Off	The machine is idle.
Solid Green	The machine is running.

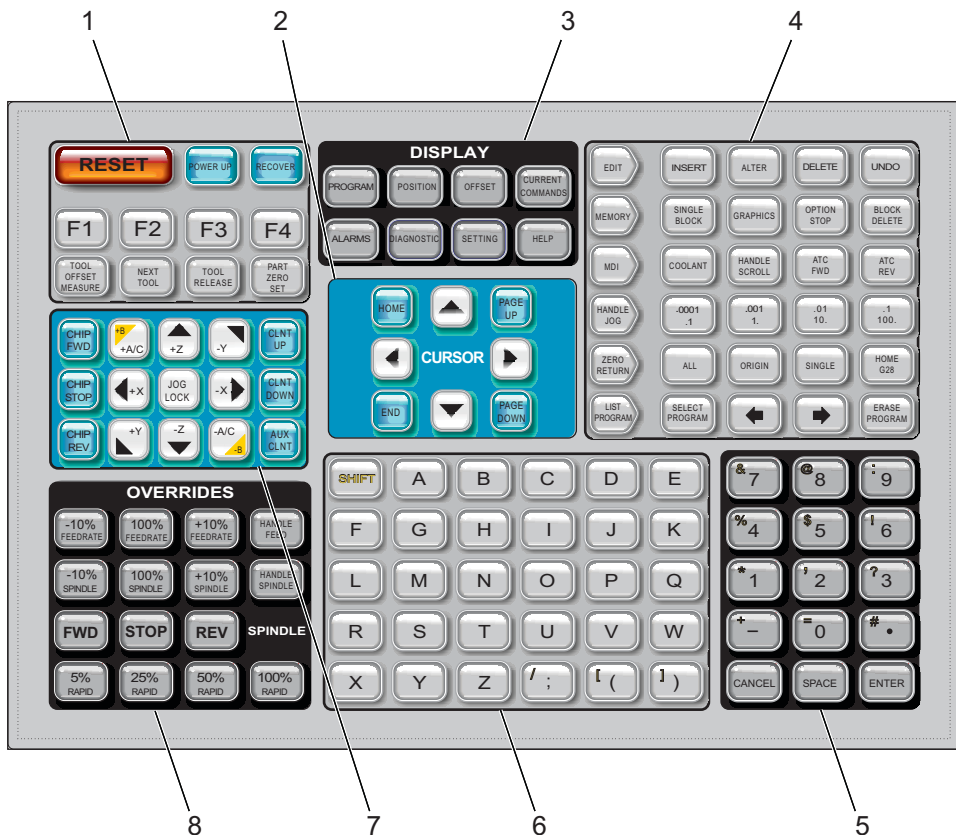
Beacon Light	
Flashing Green	The machine is stopped, but is in a ready state. Operator input is required to continue.
Flashing Red	A fault has occurred, or the machine is in Emergency Stop.
Flashing Yellow	A tool has expired, and the Tool Wear warning icon is shown.

2.3.3 Keyboard

Keyboard keys are grouped into these functional areas:

1. Function
2. Cursor
3. Display
4. Mode
5. Numeric
6. Alpha
7. Jog
8. Overrides

F2.17: Mill Keyboard: [1] Function Keys, [2] Cursor Keys, [3] Display Keys, [4] Mode Keys, [5] Numeric Keys, [6] Alpha Keys, [7] Jog Keys, [8] Override Keys.



Function Keys

T2.4: List of Function Keys and How They Operate

Name	Key	Function
Reset	[RESET]	Clears alarms. Clears input text. Sets overrides to default values if Setting 88 is ON .
Power up	[POWER UP]	Zero returns all axes and initializes the machine control.
Recover	[RECOVER]	Enters tool changer recovery mode.

Name	Key	Function
F1- F4	[F1 - F4]	These buttons have different functions depending on the tab that is active.
Tool Offset Measure	[TOOL OFFSET MEASURE]	Records tool length offsets during part setup.
Next Tool	[NEXT TOOL]	Selects the next tool from the tool changer.
Tool Release	[TOOL RELEASE]	Releases the tool from the spindle when in MDI, ZERO RETURN, or HAND JOG mode.
Part Zero Set	[PART ZERO SET]	Records work coordinate offsets during part setup.

Cursor Keys

The cursor keys let you move between data fields, scroll through programs, and navigate through tabbed menus.

T2.5: Cursor Key List

Name	Key	Function
Home	[HOME]	Moves the cursor to the top-most item on the screen; in editing, this is the top left block of the program.
Cursor Arrows	[UP], [DOWN], [LEFT], [RIGHT]	Moves one item, block, or field in the associated direction. The keys depict arrows, but this manual refers to these keys by their spelled-out names.
Page Up, Page Down	[PAGE UP] / [PAGE DOWN]	Used to change displays or move up/down one page when viewing a program.
End	[END]	Moves the cursor to the bottom-most item on the screen. In editing, this is the last block of the program.

Display Keys

You use the Display keys to see the machine displays, operational information, and help pages.

T2.6: List of Display Keys and How They Operate

Name	Key	Function
Program	[PROGRAM]	Selects the active program pane in most modes.
Position	[POSITION]	Selects the positions display.
Offsets	[OFFSET]	Displays the Tool Offset and Work Offset tabbed menu.
Current Commands	[CURRENT COMMANDS]	Displays menus for Devices, Timers, Macros, Active Codes, Calculators, Advanced Tool Management (ATM), Tool Table, and Media.
Alarms	[ALARMS]	Displays the Alarm viewer and Message screens.
Diagnostics	[DIAGNOSTIC]	Displays tabs for Features, Compensation, Diagnostics, and Maintenance.
Settings	[SETTING]	Displays and allows changing of user settings.
Help	[HELP]	Displays help information.

Mode Keys



Mode keys change the operational state of the machine. Each mode key is arrow shaped and points to the row of keys that perform functions related to that mode key. The current mode is always displayed in the top left of the screen, in *Mode:Key* display form.



NOTE:

[EDIT] and **[LIST PROGRAM]** can also act as display keys, where you can access program editors and the device manager without changing the machine mode. For example, while the machine runs a program, you can use the device manager (**[LIST PROGRAM]**) or background editor (**[EDIT]**) without stopping the program.

T2.7: List of [EDIT] Mode Keys and How They Operate

Name	Key	Function
Edit	[EDIT]	Lets you edit programs in the editor. You can access the Visual Programming System (VPS) from the EDIT tabbed menu.
Insert	[INSERT]	Enters text from the input line or the clipboard into the program at the cursor position.
Alter	[ALTER]	Replaces the highlighted command or text with text from the input line or the clipboard.  NOTE: [ALTER] does not work for offsets.
Delete	[DELETE]	Deletes the item that the cursor is on, or deletes a selected program block.
Undo	[UNDO]	Undoes up to the last 40 edit changes, and deselects a highlighted block.  NOTE: [UNDO] does not work for deleted highlighted blocks or to recover a deleted program.

T2.8: List of [MEMORY] Mode Keys and How They Operate

Name	Key	Function
Memory	[MEMORY]	Selects memory mode. You run programs in this mode, and the other keys in the MEM row control the ways in which the program is run. Shows <i>OPERATION:MEM</i> in upper left display.
Single Block	[SINGLE BLOCK]	Toggles single block on or off. When single block is on, the control runs only one program block each time you press [CYCLE START].
Graphics	[GRAPHICS]	Opens Graphics mode.
Optional Stop	[OPTION STOP]	Toggles optional stop on or off. When optional stop is on, the machine stops when it reaches M01 commands.
Block Delete	[BLOCK DELETE]	Toggles Block Delete On or Off. When Block Delete is On, the control ignores (does not execute) the code following a Forward Slash (/), on that same line.


T2.9: List of **[MDI]** Mode Keys and How They Operate

Name	Key	Function
Manual Data Input	[MDI]	In MDI mode, you run unsaved programs or blocks of code entered from the control. Shows <i>EDIT:MDI</i> in upper left display.
Coolant	[COOLANT]	Turns the optional coolant on and off. Also, [SHIFT] + [COOLANT] turns on and off the optional Auto Air Gun / Minimum Quantity Lubrication functions.
Handle Scroll	[HANDLE SCROLL]	Toggles Handle Scroll mode. This lets you use the jog handle to move the cursor in menus while the control is in jog mode.
Automatic Tool Changer Forward	[ATC FWD]	Rotates the tool carousel to the next tool.
Automatic Tool Changer Reverse	[ATC REV]	Rotates the tool carousel to the previous tool.

T2.10: List of **[HANDLE JOG]** Mode Keys and How They Operate

Name	Key	Function
Handle Jog	[HANDLE JOG]	Enters Jog mode.
.0001/.1 .001/1 .01/10 .1/100	[.0001 / .1], [.001 / 1.], [.01 / 10.], [.1 / 100.]	Selects the increment for each click of the jog handle. When the mill is in MM mode the first number is multiplied by ten when jogging the axis (e.g., .0001 becomes 0.001 mm). The bottom number sets speed after you press [JOG LOCK] and an axis jog key or you press and hold an axis jog key. Shows <i>SETUP:JOG</i> in the upper left of the display.

T2.11: List of [ZERO RETURN] Mode Keys and How They Operate

Name	Key	Function
Zero Return	[ZERO RETURN]	Selects Zero Return mode, which displays axis location in four different categories: Operator, Work G54, Machine, and Dist (distance) To Go. Select the tab to switch between the categories. Shows <i>SETUP: ZERO</i> in the upper-left display.
All	[ALL]	Returns all axes to machine zero. This is similar to [POWER UP], except a tool change does not occur.
Origin	[ORIGIN]	Sets selected values to zero.
Single	[SINGLE]	Returns one axis to machine zero. Press the desired axis letter on the Alpha keyboard and then press [SINGLE].
Home G28	[HOME G28]	Returns all axes to zero in rapid motion. [HOME G28] will also home a single axis in the same manner as [SINGLE].  CAUTION: <i>Make sure the axis motion paths are clear when you press this key. There is no warning or prompt before axis motion begins.</i>

T2.12: List of [LIST PROGRAM] Mode Keys and How They Operate

Name	Key	Function
List Programs	[LIST PROGRAM]	Accesses a tabbed menu to load and save programs.
Select Programs	[SELECT PROGRAM]	Makes the highlighted program the active program.
Back	[BACK ARROW].	Navigates to the screen you were on before the current one. This key operates like the BACK button on a web browser.

Name	Key	Function
Forward	[FORWARD ARROW] ,	Navigates to the screen you went to after the current screen, if you have used the back arrow. This key operates like the FORWARD button on a web browser.
Erase Program	[ERASE PROGRAM]	Deletes the selected program in List Program mode. Deletes the entire program in MDI mode.

Numeric Keys

Use the numeric keys to type numbers, along with some special characters (printed in yellow on the main key). Press **[SHIFT]** to enter the special characters.

T2.13: List of Numeric Keys and How They Operate

Name	Key	Function
Numbers	[0]-[9]	Types numbers.
Minus sign	[-]	Adds a minus (-) sign to the input line.
Decimal point	[.]	Adds a decimal point to the input line.
Cancel	[CANCEL]	Deletes the last character typed.
Space	[SPACE]	Adds a space to input.
Enter	[ENTER]	Answers prompts and writes input.
Special Characters	Press [SHIFT] , then a numeric key	Inserts the yellow character on the upper-left of the key. These characters are used for comments, macros, and certain special features.
+	[SHIFT] , then [-]	Inserts +
=	[SHIFT] , then [0]	Inserts =
#	[SHIFT] , then [.]	Inserts #
*	[SHIFT] , then [1]	Inserts *
'	[SHIFT] , then [2]	Inserts `

Name	Key	Function
?	[SHIFT] , then [3]	Inserts ?
%	[SHIFT] , then [4]	Inserts %
\$	[SHIFT] , then [5]	Inserts \$
!	[SHIFT] , then [6]	Inserts !
&	[SHIFT] , then [7]	Inserts &
@	[SHIFT] , then [8]	Inserts @
:	[SHIFT] , then [9]	Inserts :

Alpha Keys

Use the alpha keys to type the letters of the alphabet, along with some special characters (printed in yellow on the main key). Press **[SHIFT]** to enter the special characters.

T2.14: List of Alpha Keys and How They Operate

Name	Key	Function
Alphabet	[A]-[Z]	Uppercase letters are the default. Press [SHIFT] and a letter key for lowercase.
End-of-block (EOB)	[;]	This is the end-of-block character, which signifies the end of a program line.
Parentheses	[(), []]	Separate CNC program commands from user comments. They must always be entered as a pair.
Shift	[SHIFT]	Accesses additional characters on the keyboard, or shifts to lower case alpha characters. The additional characters are seen in the upper left of some of the alpha and number keys.
Special Characters	Press [SHIFT] , then an alpha key	Inserts the yellow character on the upper-left of the key. These characters are used for comments, macros, and certain special features.
Forward Slash	[SHIFT] , then [;]	Inserts /

Name	Key	Function
Left Bracket	[SHIFT], then [(]	Inserts [
Right Bracket	[SHIFT], then [)]	Inserts]

Jog Keys

T2.15: List of Jog Keys and How They Operate

Name	Key	Function
Chip Auger Forward	[CHIP FWD]	Starts the chip removal system in the forward direction (out of the machine).
Chip Auger Stop	[CHIP STOP]	Stops the chip removal system.
Chip Auger Reverse	[CHIP REV]	Starts the chip removal system in the "reverse" direction.
Axis Jog Keys	[+X/-X, +Y/-Y, +Z/-Z, +A/C/-A/C AND +B/-B (SHIFT +A/C/-A/C)]	Jog axes manually. Press and hold the axis button, or press and release to select an axis and then use the jog handle.
Jog Lock	[JOG LOCK]	Works with the axis jog keys. Press [JOG LOCK], then an axis button, and the axis moves until you press [JOG LOCK] again.
Coolant Up	[CLNT UP]	Moves the optional Programmable Coolant (P-Cool) nozzle up.
Coolant Down	[CLNT DOWN]	Moves the optional P-Cool nozzle down.
Auxiliary Coolant	[AUX CLNT]	Press this key in MDI mode to toggle the Through-Spindle Coolant (TSC) system operation, if equipped. Press [SHIFT] + [AUX CLNT] to toggle the Through Tool Air Blast (TAB) function, if equipped. Both functions also work in Run-Stop-Jog-Continue mode.

Override Keys

T2.16: List of Override Keys and How They Operate

Name	Key	Function
-10% Feedrate	[-10% FEEDRATE]	Decreases the current feedrate by 10%.
100% Feedrate	[100% FEEDRATE]	Sets an overridden feedrate back to the programmed feed rate.
+10% Feedrate	[+10% FEEDRATE]	Increases the current feedrate by 10%.
Handle Control Feed Rate	[HANDLE FEED]	Lets you use the jog handle to adjust the feedrate in 1% increments.
-10% Spindle	[-10% SPINDLE]	Decreases the current spindle speed by 10%.
100% Spindle	[100% SPINDLE]	Sets the overridden spindle speed back to the programmed speed.
+10% Spindle	[+10% SPINDLE]	Increases the current spindle speed by 10%.
Handle Spindle	[HANDLE SPINDLE]	Lets you use the jog handle to adjust the spindle speed in 1% increments.
Forward	[FWD]	Starts the spindle in the clockwise direction.
Stop	[STOP]	Stops the spindle.
Reverse	[REV]	Starts the spindle in the counterclockwise direction.
Rapids	[5% RAPID]/ [25% RAPID]/ [50% RAPID] / [100% RAPID]	Limits machine rapids to the value on the key.

Override Usage

Overrides let you temporarily adjust the speeds and feeds in your program. For example, you can slow down rapids while you prove out a program, or adjust the feedrate to experiment with its effect on part finish, etc.

You can use Settings 19, 20, and 21 to disable the feedrate, spindle, and rapid overrides, respectively.

[FEED HOLD] acts as an override that stops rapid and feed moves when you press it. **[FEED HOLD]** also stops tool changes and part timers, but not tapping cycles or dwell timers.

Press **[CYCLE START]** to continue after a **[FEED HOLD]**. When the Setup Mode key is unlocked, the door switch on the enclosure also has a similar result but displays *Door Hold* when the door is opened. When the door is closed, the control is in Feed Hold and **[CYCLE START]** must be pressed to continue. Door Hold and **[FEED HOLD]** do not stop any auxiliary axes.

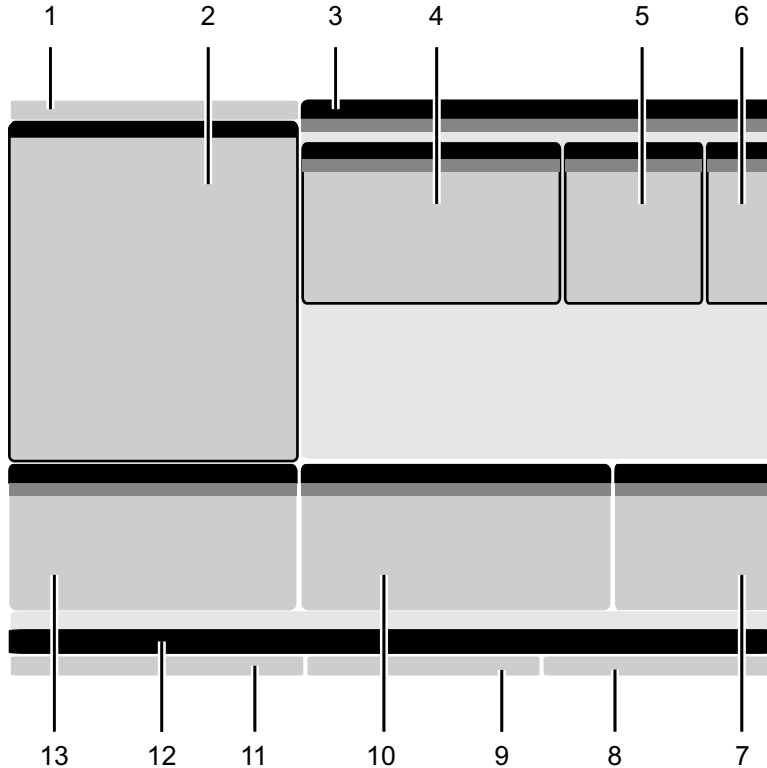
You can override the standard coolant setting by pressing **[COOLANT]**. The coolant pump remains either on or off until the next M-code or operator action (see Setting 32).

Use Settings 83, 87, and 88 to have M30 and M06 commands, or **[RESET]**, respectively, change overridden values back to their defaults.

2.3.4 Control Display

The control display is organized into panes that change with the different machine and display modes.

F2.18: Basic Control Display Layout in **Operation:Mem Mode** (While a Program Runs)



- | | |
|---|---------------------------------------|
| 1. Mode, Network, and Time Status Bar | 7. Timers, Counters / Tool Management |
| 2. Program Display | 8. Alarm Status |
| 3. Main Display (size varies)/Program/Offsets/Current
Commands/Settings/Graphics/Editor/VPS/Help | 9. System Status Bar |
| 4. Active Codes | 10. Position Display / Axis Load |
| 5. Active Tool | 11. Input Bar |
| 6. Coolant | 12. Icon Bar |
| | 13. Spindle Status |

The active pane has a white background. You can work with data in a pane only when that pane is active, and only one pane is active at a time. For example, when you select the **Tool Offsets** tab, the offsets table background turns white. You can then make changes to the data. In most cases, you change the active pane with the display keys.

Mode, Network, and Time Status Bar

This status bar in the top left of the screen is divided into three sections: mode, network, and time.

F2.19: The Mode, Network, and Time Status bar shows [1] the current machine mode, [2] network status icons, and [3] the current time.



Mode [1]

The Haas control organizes machine functions into three modes: Setup, Edit, and Operation. Each mode shows on one screen all of the information you need to do tasks under that mode. For example, in Setup mode, you have access to the work offset table, the tool offset table, and position information. Edit mode gives you access to the program editor and optional systems like Visual Programming (VPS) (which contains Wireless Intuitive Probing (WIPS)). Operation mode includes Memory (MEM), the mode in which you run programs.









T2.17: Mode, Key Access, and Mode Display

Mode	Keys	Display [1]	Function
Setup	[ZERO RETURN]	SETUP: ZERO	Provides all control features for machine setup.
	[HANDLE JOG]	SETUP: JOG	
Edit	[EDIT]	ANY	Provides all program editing, management, and transfer functions.
	[MDI]	EDIT: MDI	
	[LIST PROGRAM]	ANY	
Operation	[MEMORY]	OPERATION: MEM	Provides all control features necessary to run a program.
	[EDIT]	OPERATION: MEM	Provides background editing of active programs.
	[LIST PROGRAM]	ANY	Provides background editing of programs.

Network [2]

If you have networking installed on your Next Generation Control, icons in the center networking partition of the bar give you networking status. See the table for meanings of the networking icons.

T2.18: Networking Icons and Associated Network Status

Icon	Network Status
	The machine is connected to a wired network with an Ethernet cable.
	The machine is connected to a wireless network with 70 - 100% signal strength.
	The machine is connected to a wireless network with 30 - 70% signal strength.
	The machine is connected to a wireless network with 1 - 30% signal strength.
	The machine is connected to a wireless network, but it is not receiving data packets.
	The machine is successfully registered with HaasConnect and is communicating with the server.
	The machine had previously registered with HaasConnect and has a problem connecting to the server.
	The machine is connected to a remote net share.

Time [3]

The right side of the bar shows the current time in hh:mm:ss format. To set the time, refer to the Time Adjustment section on page 54.

Offsets Display

To access the offset tables, press [**OFFSET**] and select the **TOOL** tab or the **WORK** tab.

T2.19: Offset Tables

Name	Function
TOOL	Display and work with tool numbers and tool length geometry.
WORK	Display and work with part zero locations.

Current Commands

This section describes the Current Commands pages and the types of data they show. The information from most of these pages also appears in other modes.

Press [**CURRENT COMMANDS**] to access the tabbed menu of available Current Commands displays.

Timers Display -This page shows:

- The current date and time.
- The total power on time.
- Total cycle start time.
- Total feed time.
- M30 counters. Each time the a program reaches an **M30** command, both of these counters increment by one.
- Macro variable displays.

You also see these timers and counters in the lower-right section of the display in the **OPERATION:MEM**, **SETUP:ZERO**, and **EDIT:MDI** modes.

Macros Display -This page shows a list of the macro variables and their values. The control updates these variables as programs run. You can modify the variables in this display; refer to the Variable Display Page on page 251.

Active Codes -This page lists the active program codes. A smaller version of this display is included on the **OPERATION:MEM** and **EDIT:MDI** mode screens. Also when you press [**PROGRAM**] in any Operation mode, you see the active program codes.

Advanced Tool Management -This page contains information the control uses to predict tool life. Here is where you create and manage tool groups, and where you enter the maximum tool load percentage expected for each tool.

For more information, refer to the Advanced Tool Management section in the Operation chapter of this manual.

Calculator -This page contains the Standard, Milling/Turning, and Tapping calculators.

Media -This page contains the **Media Player**.

Timer and Counter Reset

You can reset the power-on, cycle-start, and feed cutting timers. You can also reset the M30 counters.

1. Select the **Timers** page in Current Commands.
2. Use the cursor arrow keys to highlight the name of the timer or counter that you want to reset.
3. Press **[ORIGIN]** to reset the timer or counter.



TIP:

You can reset the M30 counters independently to track finished parts in two different ways; for example, parts finished in a shift and total parts finished.

Time Adjustment

Follow this procedure to adjust the date or time.

1. Select the **Timers** page in Current Commands.
2. Use the cursor arrow keys to highlight the **Date:**, **Time:**, or **Time Zone** field.
3. Press **[EMERGENCY STOP]**.
4. In the **Date:** field, type the new date in the format **MM-DD-YYYY**, including the hyphens.
5. In the **Time:** field, type the new time in the format **HH:MM**, including the colon. Press **[SHIFT]** and then **[9]** to type the colon.
6. In the **Time Zone:** field, press **ENTER** to select from the list of time zones. You can type search terms in the pop-up window to narrow the list. For example, type **PST** to find Pacific Standard Time. Highlight the time zone you want to use.
7. Press **[ENTER]**.

Current Commands - Active Codes

F2.20: Active Codes Display Example

Current Commands						
Devices	Timers	Macro Vars	Active Codes	ATM	Calculator	Media
G-Codes	Address Codes		DHMT Codes	Speeds & Feeds		
G00	N	0	D 00	Programmed Feed Rate	0.	
G18	X	0.	H 00	Actual Feed Rate	0.	
G90	Y	0.	M 00	Programmed Spindle Speed	0.	
G113	Z	0.	T 00	Commanded Spindle Speed	0.	
G20	I	0.		Actual Spindle Speed	0.	
G40	J	0.		Coolant Spigot Position		
G49	K	0.				
G80	P	0				
G99	Q	0.				
G50	R	0.				
G54	O	000000				
G97	A	0.				
G64	B	0.				
G69	C	0.				
	U	0.				
	V	0.				
	W	0.				
	E	0.				

This display gives read-only, real-time information about the codes that are currently active in the program; specifically, the codes that define the current motion type (rapid vs linear feed vs circular feed), positioning system (absolute vs incremental), cutter compensation (left, right or off), active canned cycle, and work offset. This display also gives the active Dnn, Hnn, Tnn, and most recent M-code. If an alarm is active, this shows a quick display of the active alarm instead of the active codes.

Advance Tool Management (ATM)

F2.21: Advance Tool Management Display Example

07:03:51

N0

3.9):

Current Commands

Devices
Timers
Macro Vars
Active Codes
ATM
Calculator
Media

F4
To Switch Boxes
Allowed Limits
Active Tool: 1

Group	Expired Count	Tool Order	Holes Limit	Usage Limit	Life Warn %	Load Limit	Expired Action	Feed Limit	Total Time Limit
All	-	-	-	-	-	-	-	-	-
Expired	0	-	-	-	-	-	-	-	-
No Group	-	-	-	-	-	-	-	-	-
Add Group	-	-	-	-	-	-	-	-	-

Tool Data For Group: All

Tool	Offset	Life	Holes Count	Usage Count	Usage Limit	Max Load %	Load Limit %	Feed Time	Total Time
1	0	100%	0	0	0	0%	0%	0:00:00	0:00:00
2	0	100%	0	0	0	0%	0%	0:00:00	0:00:00
3	0	100%	0	0	0	0%	0%	0:00:00	0:00:00
4	0	100%	0	0	0	0%	0%	0:00:00	0:00:00
5	0	100%	0	0	0	0%	0%	0:00:00	0:00:00
6	0	100%	0	0	0	0%	0%	0:00:00	0:00:00

INSERT
Add Group

Advanced Tool Management -This page contains information the control uses to predict tool life. Here is where you create and manage tool groups, and where you enter the maximum tool load percentage expected for each tool.

For more information, refer to:

- AdvanceTool Management Introduction
- AdvanceTool Management Macros
- SaveAdvance Tool Management Tables
- RestoreAdvance Tool Management Tables

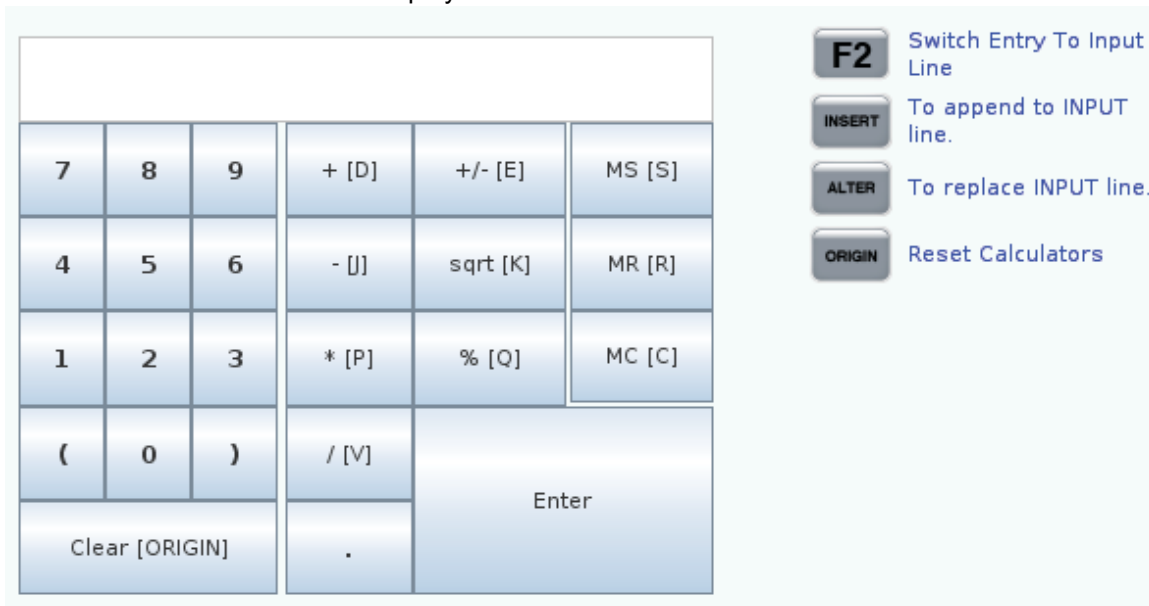
Calculator

The calculator tab includes calculators for basic mathematical functions, milling, and tapping.

- Select the calculator tab in the **[CURRENT COMMANDS]** menu.
- Select the calculator tab that you want to use: **Standard**, **Milling**, or **Tapping**.

Standard Calculator

F2.22: Standard Calculator Display



The standard calculator has functions like a simple desktop calculator; with available operations such as addition, subtraction, multiplication, and division, as well as square root and percentage. The calculator lets you easily transfer operations and results to the input line so that you can put them into programs. You can also transfer results into the Milling and Tapping calculators.

- Use the number keys to type operands into the calculator.
- To insert an arithmetic operator, use the letter key that appears in brackets next to the operator you want to insert. These keys are:

Key	Function	Key	Function
[D]	Add	[K]	Square Root
[J]	Subtract	[Q]	Percentage
[P]	Multiply	[S]	Memory Store (MS)
[V]	Divide	[R]	Memory Recall (MR)
[E]	Toggle sign (+ / -)	[C]	Memory Clear (MC)

- After you have entered data into the calculator input field, you can do any of the following:



NOTE:

These options are available for all calculators.

Press **[ENTER]** to return the result of your calculation.

Press **[INSERT]** to append the data or the result to the end of the input line.

Press **[ALTER]** to move the data or the result to the input line. This overwrites the current contents of the input line.

Press **[ORIGIN]** to reset the calculator.

Keep the data or the result in the calculator input field and select a different calculator tab. The data in the calculator input field remains available to transfer into the other calculators.

Milling/Turning Calculator

F2.23: Milling/turning Calculator Display

Cutter Diameter	<input type="text" value="****, ****"/>	in	F2 Switch Entry To Input Line INSERT To append to INPUT line. ALTER To replace INPUT line. DELETE Clear current input ORIGIN Reset Calculators
Surface Speed	<input type="text" value="****, ****"/>	ft/min	
RPM	<input type="text" value="****, ****"/>		
Flutes	<input type="text" value="****, ****"/>		
Feed	<input type="text" value="****, ****"/>	in/min	
Chip Load	<input type="text" value="****, ****"/>	in/tth	
Work Material	No Material Selected		F3 Copy Value From Standard Calculator F4 Paste Current Value To Standard Calculator
Tool Material	Please Select Work Material		
Cut Width	<input type="text" value="****, ****"/>	in	
Cut Depth	<input type="text" value="****, ****"/>	in	

Enter a value from 0 - 1000.0000
 * Next to Field Name Denotes Calculated Value

The milling/turning calculator lets you automatically calculate machining parameters based on given information. When you have entered enough information, the calculator automatically displays results in the relevant fields. These fields are marked with an asterisk (*).

- Use the cursor arrow keys to move from field to field.
- Type known values in the appropriate fields. You can also press **[F3]** to copy a value from the standard calculator.
- In the Work Material and Tool Material fields, use the LEFT and RIGHT cursor arrow keys to choose from the available options.
- Calculated values appear highlighted in yellow when they are outside of the recommended range for the workpiece and tool material. Also, when all of the calculator fields contain data (calculated or entered), the milling calculator displays the recommended power for the operation.

Tapping Calculator

F2.24: Tapping Calculator Display

TPI		rev/in	F2 Switch Entry To Input Line
Metric Lead	*****,*****	mm/rev	INSERT To append to INPUT line.
RPM	*****,*****		ALTER To replace INPUT line.
Feed	*****,*****	in/min	DELETE Clear current input
			ORIGIN Reset Calculators
			F3 Copy Value From Standard Calculator
			F4 Paste Current Value To Standard Calculator

* Next to Field Name Denotes Calculated Value

The tapping calculator lets you automatically calculate tapping parameters based on given information. When you have entered enough information, the calculator automatically displays results in the relevant fields. These fields are marked with an asterisk (*).

- Use the cursor arrow keys to move from field to field.

- Type known values in the appropriate fields. You can also press **[F3]** to copy a value from the standard calculator.
- When the calculator has enough information, it puts calculated values in the appropriate fields.

Media Display

M130 Lets you display video with audio and still images during program execution. Some examples of how you can use this feature are:

- Providing visual cues or work instructions during program operation
- Providing images to aid part inspection at certain points in a program
- Demonstrating procedures with video

The correct command format is `M130 (file.xxx)`, where `file.xxx` is the name of the file, plus the path, if necessary. You can also add a second comment in parentheses to appear as a comment in the media window.

Example: `M130 (Remove Lifting Bolts Before Starting Op 2) (User Data/My Media/loadOp2.png) ;`



NOTE:

M130 uses the subprogram search settings, Settings 251 and 252 in the same way that M98 does. You can also use the Insert Media File command in the editor to easily insert an M130 code that includes the file path. Refer to page 183 for more information.

\$FILE Lets you display video with audio and still images outside of program execution.

The correct command format is `($FILE file.xxx)`, where `file.xxx` is the name of the file, plus the path, if necessary. You can also add a comment between the first parentheses and the dollar sign to appear as a comment in the media window.

To display the media file, highlight the block while in memory mode and press enter. \$FILE media display block will be ignored as comments during program execution.

Example: `(Remove Lifting Bolts Before Starting Op 2 $FILE User Data/My Media/loadOp2.png) ;`

T2.20: Permitted media file formats

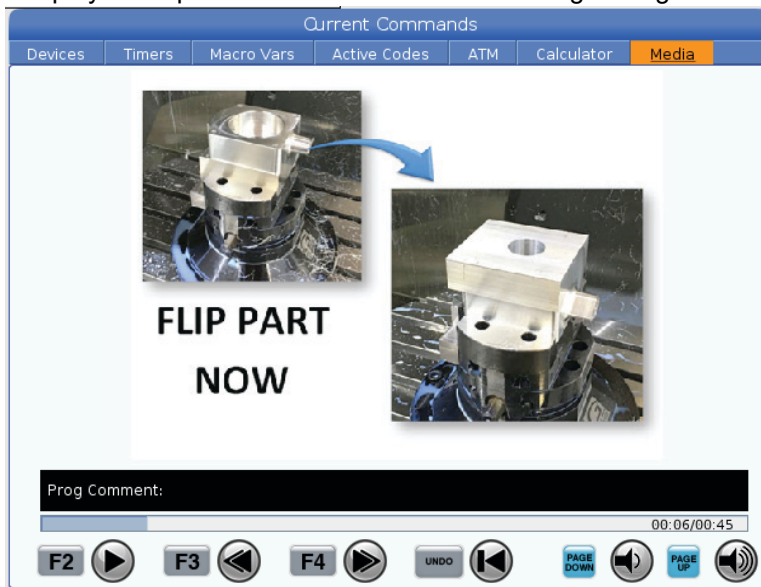
Standard	Profile	Resolution	Bitrate
MPEG-2	Main-High	1080 i/p, 30 fps	50 Mbps
MPEG-4 / XviD	SP/ASP	1080 i/p, 30 fps	40 Mbps

Standard	Profile	Resolution	Bitrate
H.263	P0/P3	16 CIF, 30fps	50 Mbps
DivX	3/4/5/6	1080 i/p, 30fps	40 Mbps
Baseline	8192 x 8192	120 Mpixel/sec	-
PNG	-	-	-
JPEG	-	-	-

**NOTE:**

For the fastest loading times, use files with pixel dimensions divisible by 8 (most unedited digital images have these dimensions by default), and a maximum resolution of 1920 x 1080.

Your media appears in the Media tab under Current Commands. The media displays until the next **M130** displays a different file, or **M131** clears the media tab contents.

F2.25: Media Display Example - Work Video Instruction during a Program

T2.21: Troubleshooting

Symptom	Possible Cause	Corrective Action
Error <i>Encrypted PDF</i> is generated.	The PDF file is encrypted.	The Haas control does not support encryption or passwords. Decrypt or remove password protection for the PDF on a computer.
Error <i>File not found</i> is generated.	The File could not be found at the location specified.	Verify that the file is where you expect it to be. Use the M130 path generator in the Editor to verify that the path specified in your program is correct.

Symptom	Possible Cause	Corrective Action
Error <i>Invalid File</i> is generated.	The control had a problem identifying or interacting with the file.	If the PDF is on USB or Netshare try copying it to the My Media folder on your control inside User Data and test opening it from there.If you already copied it onto the local control verify the file size or try to copy it to another place in the control to make sure the file was not corruptedVerify that the PDF can be opened on your computer
Error <i>Unable to Render</i> is generated	The control could read the image but it did not have the available space to display it.	Sometimes this message is generated when the control is busy performing other actions in the background. Try the following things: "Change pages in the template" "Stop running a program (if possible)" "Reload the template" "Zoom outIf none of those steps worked the PDF page you are displaying might be too large for the control to process.Try editing the specific page to a smaller size on a computer before loading it again.

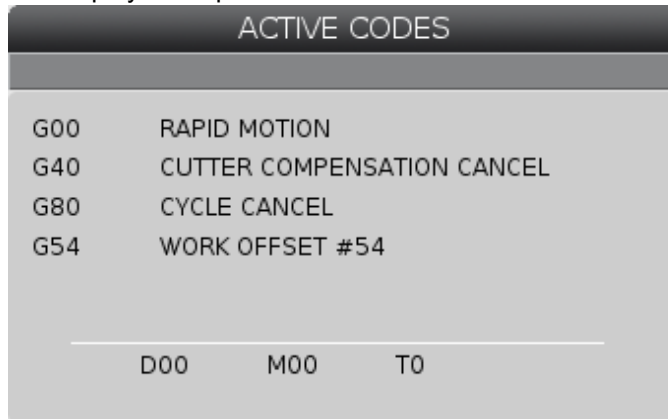
Settings/Graphics Display Function

Press **[SETTING]**, then select the **SETTINGS** tab. Settings change the way the machine behaves; refer to the “Settings” section for a more detailed description.

To use Graphics mode, select the **GRAPHICS** tab. Graphics shows an on-screen representation of your part program. The axes do not move, so you do not risk tool or part damage from programming errors.

Active Codes

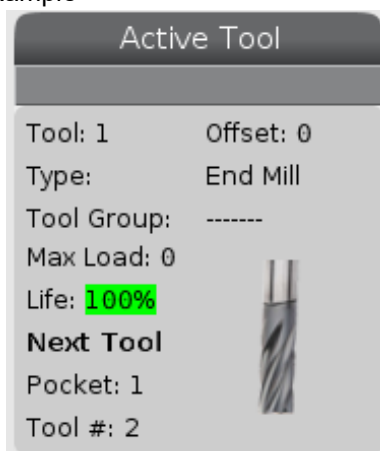
F2.26: Active Codes Display Example



This display gives read-only, real-time information about the codes that are currently active in the program; specifically, the codes that define the current motion type (rapid vs linear feed vs circular feed), positioning system (absolute vs incremental), cutter compensation (left, right or off), active canned cycle, and work offset. This display also gives the active D_{nn} , H_{nn} , T_{nn} , and most recent M-code. If an alarm is active, this shows a quick display of the active alarm instead of the active codes.

Active Tool

F2.27: Active Tool Display Example

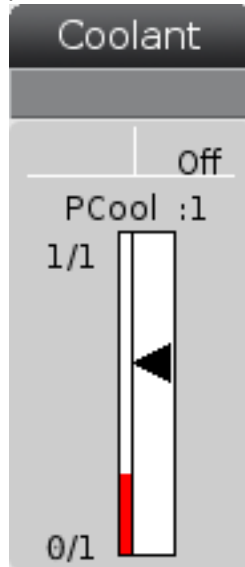


This display gives information about the current tool in the spindle. This information includes:

- The tool number
- The offset number
- The type of tool (if specified in the tool offsets table)
- The tool group number (if specified in the ATM table)
- Maximum tool load (the highest load, in percent, that has been put on the tool)
- The remaining percentage of tool life or tool group
- An example image of the tool type (if specified)
- The next tool pocket number and the tool number currently in that pocket

Coolant Display

F2.28: Coolant Level Display Example



The coolant display appears in the upper-right of the screen in **OPERATION:MEM** mode.

The first line tells you if the coolant is **ON** or **OFF**.

The next line shows the position number of the optional Programmable Coolant Spigot (**P-COOL**). The positions are from **1** to **34**. If the option is not installed, no position number appears.

In the coolant gauge, a black arrow shows the coolant level. Full is **1/1** and empty is **0/1**. To avoid coolant flow problems, keep the coolant level above the red range. You can also see this gauge in **DIAGNOSTICS** mode under the **GAUGES** tab.

Timers & Counters Display

F2.29: Timers & Counters Display Example

Timers And Counters	
This Cycle:	0:00:00
Last Cycle:	0:00:00
Remaining	0:00:00
M30 Counter #1:	0
M30 Counter #2:	0
Loops Remaining:	0

The timer section of this display gives information about cycle times (This Cycle, Last Cycle, and Remaining).

The counter section has two M30 counters and a Loops Remaining display.

- M30 Counter #1: and M30 Counter #2: every time a program reaches an **M30** command, the counters increase by one. If Setting 118 is on, the counters also increment every time a program reaches an **M99** command.
- If you have macros, you can clear or change M30 Counter #1 with #3901 and M30 Counter #2 with #3902 (#3901=0).
- Refer to page **54** for information on how to reset the timers and counters.
- Loops Remaining: shows the number of subprogram loops remaining to complete the current cycle.

Alarms and Messages Display

Use this display to learn more about machine alarms when they occur, view your machine's entire alarm history, look up definitions of alarms that can occur, view created messages, and show the keystroke history.

Press **[ALARMS]**, then select a display tab:

- The **ACTIVE ALARM** tab shows the alarms that currently affect machine operation. Use **[PAGE UP]** and **[PAGE DOWN]** to see the other active alarms.
- The **MESSAGES** tab shows the messages page. The text you put on this page stays there when you power the machine off. You can use this to leave messages and information for the next machine operator, etc.
- The **ALARM HISTORY** tab shows a list of the alarms that have recently affected machine operation. You can also search for an alarm number or alarm text. To do this type in the alarm number or the desired text and press **[F1]**.

- The **ALARM VIEWER** tab shows a detailed description of all the alarms. You can also search for an alarm number or alarm text. To do this type in the alarm number or the desired text and press **[F1]**.
- The **KEY HISTORY** tab shows up to the last 2000 keystrokes.

Add Messages

You can save a message in the **MESSAGES** tab. Your message stays there until you remove it or change it, even when you turn the machine off.

1. Press **[ALARMS]**, select the **MESSAGES** tab, and press the **[DOWN]** cursor arrow key.
2. Type your message.

Press **[CANCEL]** to backspace and delete. Press **[DELETE]** to delete an entire line. Press **[ERASE PROGRAM]** to delete the entire message.

Alarm Notifications

Haas machines include a basic application to send an alert to an email address or cellular telephone when an alarm occurs. You need to know some information about your network to set up this application. Ask your system administrator or Internet Service Provider (ISP) if you do not know the correct settings.

To set up alarm alerts, press **[SETTING]** and choose the **NOTIFICATIONS** tab.

System Status Bar

The System Status Bar is the read-only section of the screen located in the bottom, center. It displays messages for the user about actions they have taken.

Position Display

The Position display shows the current axis position relative to four reference points (Work, Distance-to-go, Machine, and Operator). In any mode, press **[POSITION]** and use cursor keys to access the different reference points displayed in tabs. The last tab display shows all the reference points on the same screen.

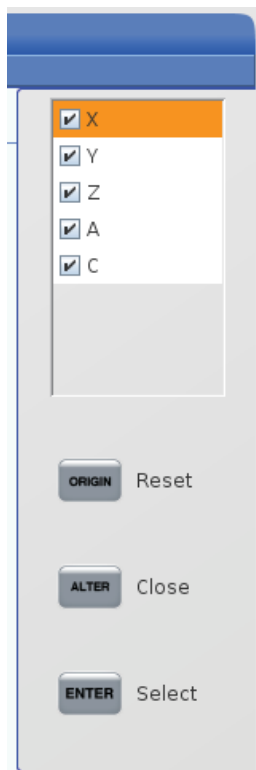
T2.22: Axis Position Reference Points

Coordinate Display	Function
WORK (G54)	This tab displays the axis positions relative to part zero. On power-up, this position uses work offset G54 automatically. It displays the axis positions relative to the most recently-used work offset.
DIST TO GO	This tab displays the distance remaining before the axes reach their commanded position. When in SETUP : JOG mode, you can use this position display to show a distance moved. Change modes (MEM, MDI) and then switch back to SETUP : JOG mode to zero this value.
MACHINE	This tab displays the axis positions relative to machine zero.
OPERATOR	This tab shows the distance you have jogged the axes. This does not necessarily represent the actual distance the axis is from machine zero, except when the machine is first powered on.
ALL	This tab displays all reference points on the same screen.

Axis Display Selection

You can add or remove axes in the Positions displays. While a **Positions** display tab is active, press **[ALTER]**. The axis display selection window comes in from the right side of the screen.

F2.30: Axis Display Selector



Use the cursor arrow keys to highlight an axis, and press **[ENTER]** to toggle it on and off for display. The positions display will show axes that have a check mark. Press **[ALTER]** to close the axis display selector.



NOTE:

You can display a maximum of (5) axes.

Input Bar

F2.31: Input Bar



The input bar is the data entry section located in the bottom-left corner of the screen. This is where your input appears as you type it.

Special Symbol Input

Some special symbols are not on the keypad.

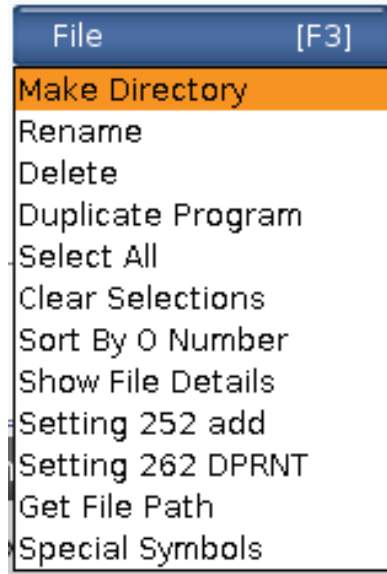
T2.23: Special Symbols

Symbol	Name
_	underscore
^	caret
~	tilde
{	open curly brackets
}	closed curly brackets
\	backslash
	pipe
<	less than
>	greater than

Do these steps to enter special symbols:

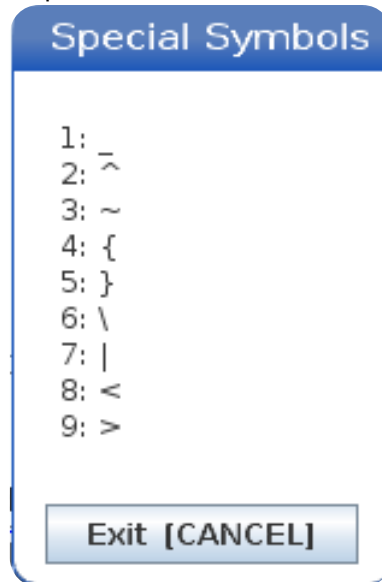
1. Press **[LIST PROGRAMS]** and select a storage device.
2. Press **[F3]**.

The **[FILE]** drop-down menu shows:



3. Select **Special Symbols** and press **[ENTER]**.

The **SPECIAL SYMBOLS** pick list shows:



4. Enter a number to copy the associated symbol to the **INPUT**: bar.

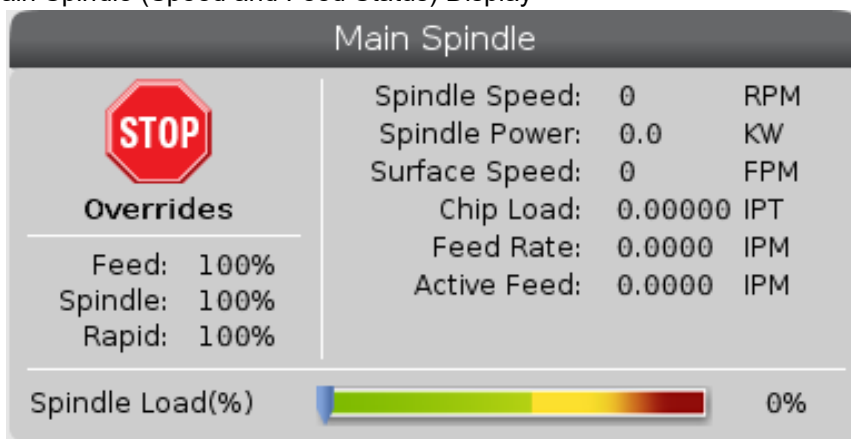
For example, to change a directory's name to **MY_DIRECTORY**:

1. Highlight the directory with the name that you want to change.
2. Type **MY**.

3. Press **[F3]**.
4. Select **SPECIAL SYMBOLS** and press **[ENTER]**.
5. Press **[1]**.
6. Type **DIRECTORY**.
7. Press **[F3]**.
8. Select **RENAME** and press **[ENTER]**.

Main Spindle Display

F2.32: Main Spindle (Speed and Feed Status) Display



The first column of this display gives you information about feedrate, spindle, and rapid overrides.

The second column displays the current spindle speed in rpm and spindle load in kW. The spindle load value reflects the actual spindle power to the tool. The next values presented are linked: surface speed of the rotating tool in fpm, the actual chip load in in/tth, and the programmed feed rate in in/min. Active feed rate displays the actual feed rate including any manual overrides.

The spindle load meter indicates the spindle load as a percentage of motor capacity.

2.4 Tabbed Menu Basic Navigation

The Haas control uses tabbed menus for several modes and displays. Tabbed menus keep related data together in an easy-to-access format. To navigate these menus:

1. Press a display or mode key.
The first time you access a tabbed menu, the first tab (or sub-tab) is active. The highlight cursor is at the first available option in the tab.
2. Use the cursor keys or the **[HANDLE JOG]** control to move the highlight cursor within an active tab.

3. To choose a different tab in the same tabbed menu, press the mode or display key again.



NOTE:

If the cursor is at the top of the menu screen, you can also press the [UP] cursor arrow key to select a different tab.

The current tab becomes inactive.

4. Use the cursor keys to highlight a tab or a sub-tab, and press the [DOWN] cursor arrow key to use the tab.



NOTE:

You cannot make the tabs active in the POSITIONS tabbed display.

5. Press a different display or mode key to work with a different tabbed menu.

2.5 LCD Touchscreen Overview

The touchscreen feature allows you to navigate the control in a more intuitive way.



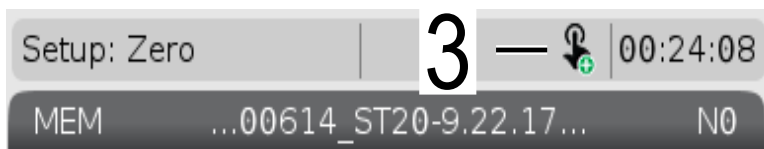
NOTE:

If the touchscreen hardware is not detected at power on, a notification 20016 Touchscreen not detected will appear in the alarm history.

T2.24: Touchscreen Settings

Settings
381 - Enable / Disable Touchscreen
383- Table Row Size
396 - Virtual Keyboard Enabled
397 - Press and Hold Delay
398 - Header Height
399 - Tab Height
403 - Choice Popup Button Size

F2.33: Touchscreen status icons - [1] Software does not support Touchscreen [2] Touchscreen is Disabled, [3] Touchscreen is Enabled.



An icon appears on top left of the screen when the touchscreen is enabled or disabled.

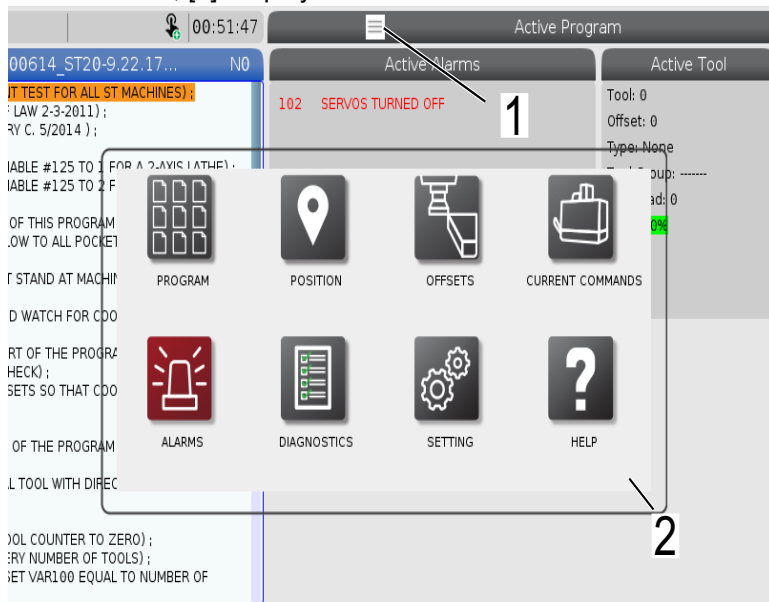
T2.25: Functions excluded from Touchscreen

Functions	Touchscreen
[RESET]	Not available
[EMERGENCY STOP]	Not available
[CYCLE START]	Not available
[FEED HOLD]	Not available

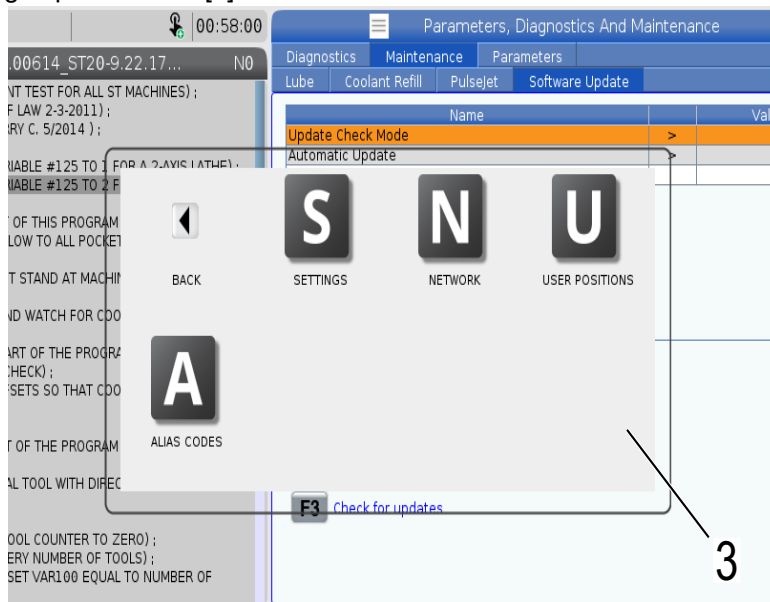
2.5.1 LCD Touchscreen - Navigation Tiles

Press the Menu[1] icon on the screen to display the display icons [2].

F2.34: [1] Menu Panel Icon, [2] Display Icons.

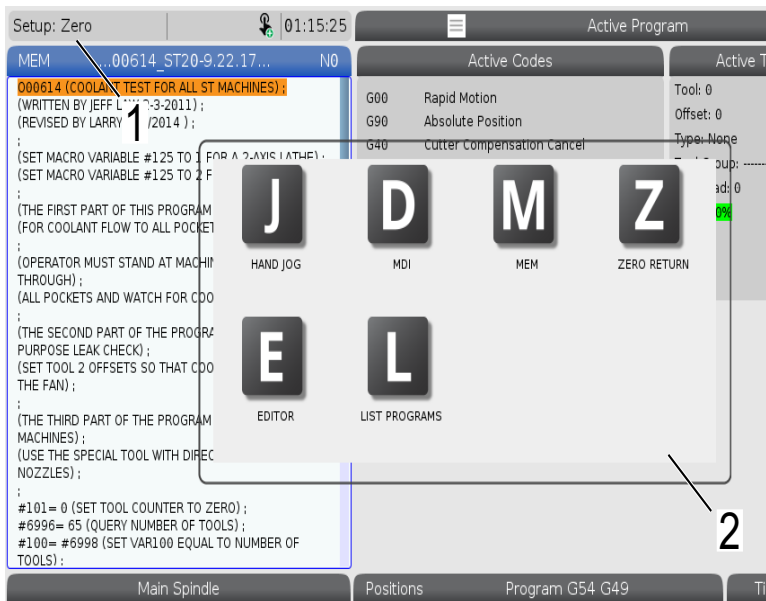


F2.35: Settings options Icons [3].



- Press and hold the display icon, to navigate to a specific tab. For example if you want to go to the Network page, press and hold the **[SETTINGS]** icon until the settings options [3] are shown.
- Press the back icon to go back to the main menu.
- To close the popup box touch anywhere else outside the popup box.

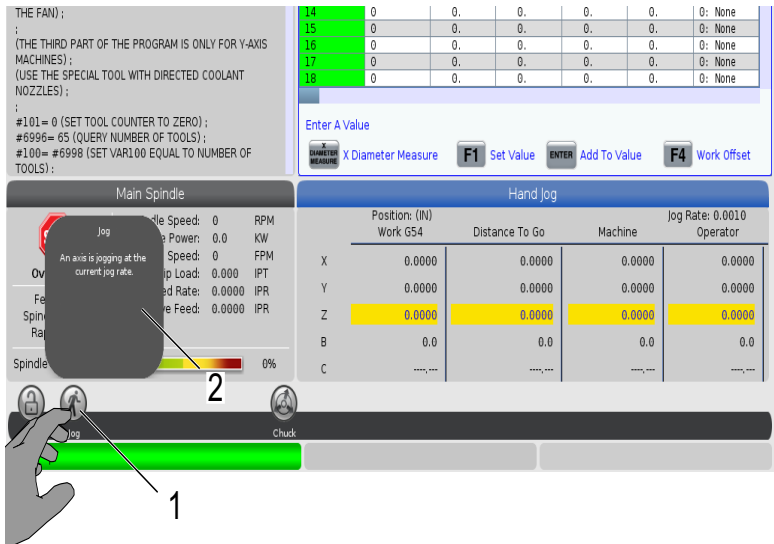
F2.36: Operation Mode Panel



- Press the upper left corner [1] of the screen to have the operation mode panel popup box [2] to appear. Press the mode icon to put the machine in that mode.

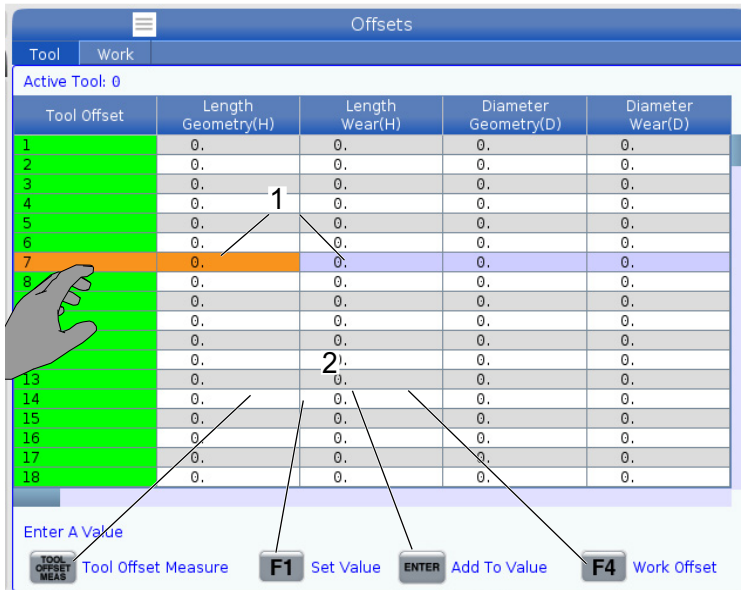
2.5.2 LCD Touchscreen - Selectable Boxes

F2.37: Icon Help



- Touch and hold the icons [1] on the bottom of the screen to see the meaning [2] of the icon. The help popup will disappear when you let go of the icon.

F2.38: Selectable tables and function buttons.



- The rows and columns fields [1] on tables are selectable. To increase the row size refer to setting 383 - Table Row Size.
- The function button icons [2] that appear on the boxes can also be pressed to use the function.

F2.39: Selectable Display Boxes

The screenshot displays a CNC control interface with several numbered display boxes:

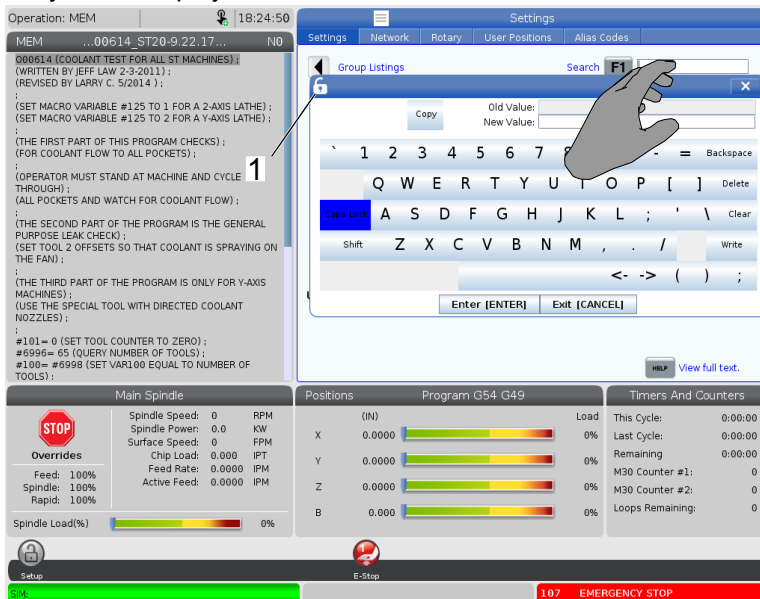
- Box 1:** A large text area showing the current program code (MEM) and its contents, including tool change commands and spindle speed settings.
- Box 2:** A table of active codes (G00, G90, G40, G80, G54) with their corresponding functions.
- Box 3:** Active tool information, including tool number, offset, and tool group.
- Box 4:** Coolant status, showing a coolant level gauge and a 'PCool' indicator.
- Box 5:** Main spindle parameters, including spindle speed, power, chip load, and feed rate.
- Box 6:** Positions for Program G54 G49, showing X, Y, Z, B, and C coordinates with color-coded bars.
- Box 7:** Timers and counters, including cycle times and remaining loops.

- Display boxes [1 - 7] are selectable. For example if you want to go to the Maintenance tab, press the coolant display box [4].

2.5.3 LCD Touchscreen - Virtual Keyboard

The virtual keyboard allows you to input text on the screen, without using the keypad. To enable this function set setting 396 - Virtual Keyboard Enabled to On.

F2.40: Virtual Keyboard Display



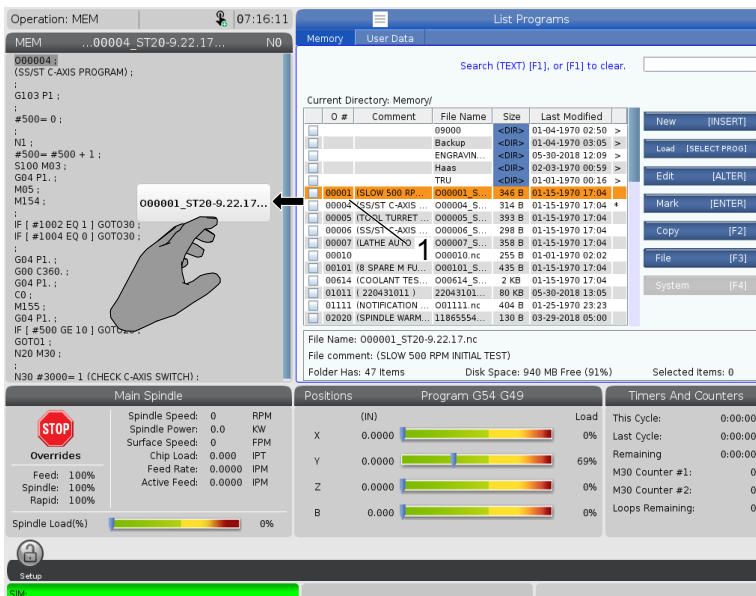
Press and hold any input line for the virtual keyboard to appear.

The keyboard can be moved holding your finger down on the blue top bar and dragging it to a new position.

The keyboard can also be locked in place by pressing the lock icon [1].

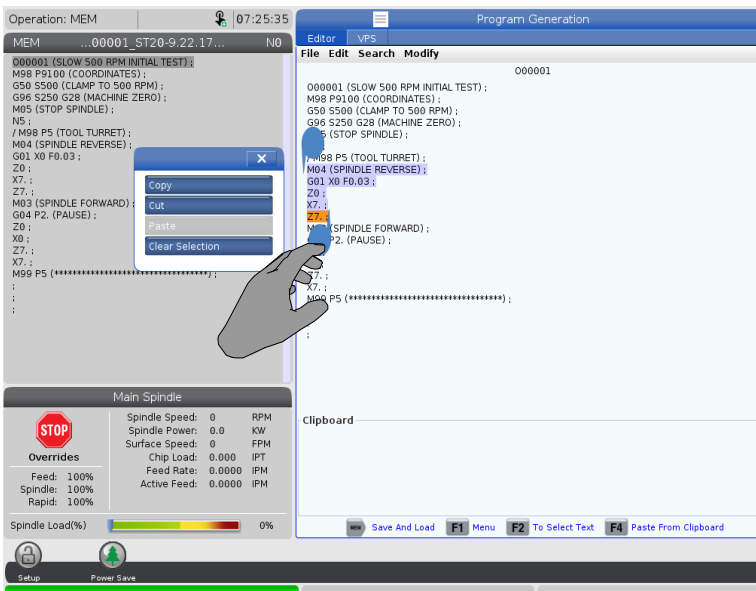
2.5.4 LCD Touchscreen - Program Editing

F2.41: Drag and Drop from List Program



- You can drag and drop programs from **[LIST PROGRAM]** to **[MEM]** by dragging the file [1] over to the **[MEM]** display.

F2.42: Copy, Cut, and Paste Handle Bars

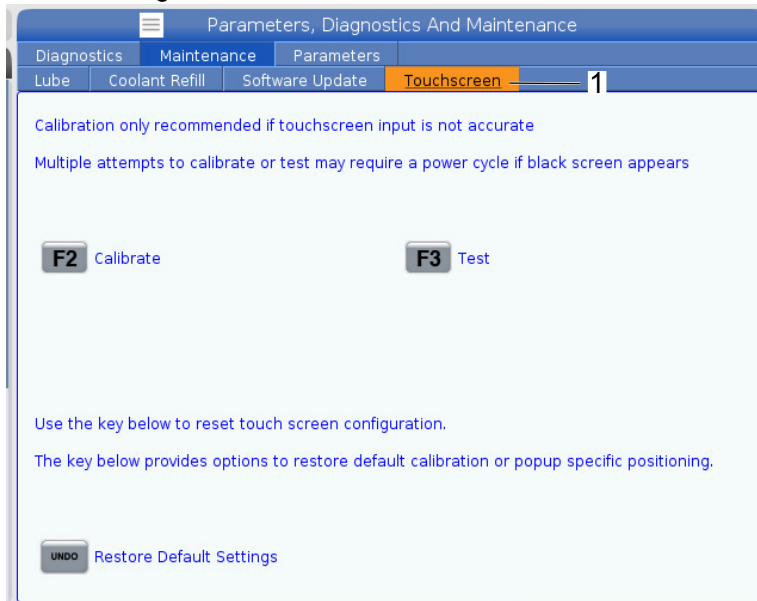


- In edit mode you can drag your fingers across the code to use the handle bars to copy, cut and paste a section of the program.

2.5.5 LCD Touchscreen - Maintenance

Use the touchscreen configuration page to calibrate, test, and restore default settings. The touchscreen configuration is located in the maintenance section. Press **[DIAGNOSTIC]** to go to the Maintenance and navigate to the Touchscreen tab.

F2.43: Touchscreen Configuration Tab



2.6 Help

Use the **[HELP]** key on the control when you need to access information about machine functions, commands, or programming printed in this manual.

To open a help topic:

1. Press **[HELP]**. You are presented with icon options for different help information. (Press **[HELP]** again to exit the **Help** window.)
2. Use the cursor arrows or **[HANDLE JOG]** control to highlight an icon option, then press **[ENTER]**. Press the **[UP]** or **[DOWN]** cursor arrows or turn the **[HANDLE JOG]** control to scroll through pages larger than the screen.
3. Press **[HOME]** to go to the top directory level or top of a page.

4. To search for help content by keyword, type your search term in the input field, then press **[F1]** to execute the search. Search results for the keyword appear in the **HELP** window.
5. Press the **[LEFT]/[RIGHT]** cursor arrow keys to go to the previous/next page on the contents pages.

2.6.1 Active Icon Help

Displays a list of the currently active icons.

2.6.2 Active Window Help

Displays the help system topic related to the currently active window.

2.6.3 Active Window Commands

Displays a list of the available commands for the active window. You can use the keys listed in parentheses, or you can select a command from the list.

2.6.4 Help Index

This option provides a list of manual topics that link to the information in the on-screen manual. Use the cursor arrows to highlight a topic of interest, and then press **[ENTER]** to access that section of the manual.

2.6.5 More Information Online

For updated information, including tips, tricks, maintenance procedures, and more, visit the Haas Service page at www.HaasCNC.com.

For the most current Operator's and Service Manuals scan the code below with your mobile device:



Chapter 3: Control Icons

3.1 Next Generation Control Icon Guide

The control screen shows icons to quickly give you information about machine status. Icons tell you about current machine modes, your program as it runs, and machine maintenance status.

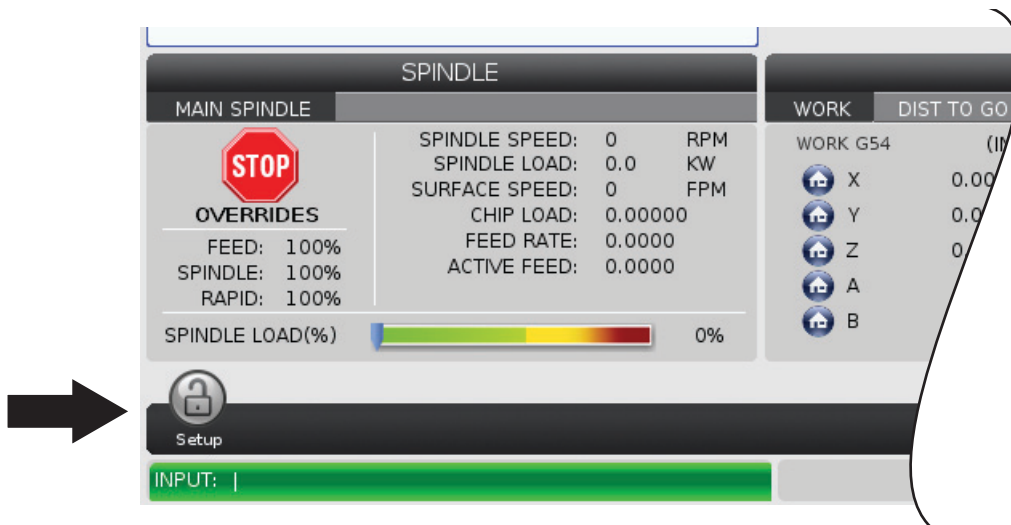
For the most current control icon information scan the code below with your mobile device.

F3.1: Mill - Control Icon Guide








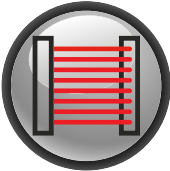





The icon bar is near the bottom of the control pendant display, above the input and status bars.

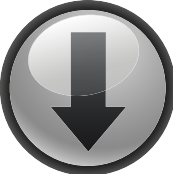



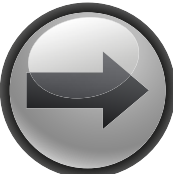

F3.2: Icon Bar Location















T3.1: Mill Control Icons







Name	Icon	Meaning
Setup		Setup mode is locked; the control is in Run mode. Most machine functions are disabled or limited while the machine doors are open.
Setup		Setup mode is unlocked; the control is in Setup mode. Most machine functions are available, but may be limited while the machine doors are open.
Cycle Door		The door must be cycled at least once to ensure that the door sensor is working. This icon appears after [POWER UP] if the user has not yet cycled the door.
Door Open		Warning, door is open.
Pallet Load Door Open		The pallet load station door is open.







Name	Icon	Meaning
Light Curtain Breach		This icon appears when the machine is idle and the light curtain is triggered. It also appears when a program is running and the light curtain is running. This icon disappears when the obstacle is removed from the light curtain line of sight.
Light Curtain Hold		This icon appears when a program is running and the light curtain is triggered. This icon will clear the next time [CYCLE START] is pressed.
Running		The machine is running a program.
Jog		An axis is jogging at the current jog rate.
APL Mode		This icon appears when the machine is in APL Mode.
Power Saving		The power-saving servos-off feature is active. Setting 216, SERVO AND HYDRAULIC SHUTOFF, designates the time period allowed before this feature activates. Press a key to activate the servos.




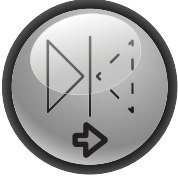

Name	Icon	Meaning
Jog		<p>This icon appears while the control returns to the workpiece during a run-stop-jog-continue operation.</p>
Jog		<p>You have pressed [FEED HOLD] during the return portion of a run-stop-jog-continue operation.</p>
Jog		<p>This icon prompts you to jog away during a run-stop-jog-continue operation.</p>
Feed Hold		<p>The machine is in feed hold. Axis motion has stopped, but the spindle continues to turn.</p>
Feed		<p>The machine is executing a cutting move.</p>
Rapid		<p>The machine is executing a non-cutting axis move (G00) at the fastest possible rate. Overrides can affect the actual rate.</p>



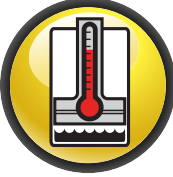


Name	Icon	Meaning
Dwell		The machine is executing a dwell (G04) command.
Restart		The control scans the program before a restart if Setting 36 is ON.
Singbk Stop		SINGLE BLOCK mode is active, and the control needs a command to continue.
Door Hold		Machine motion has stopped because of door rules.
Jog Lock		Jog lock is active. If you press an axis key, that axis moves at the current jog rate until you press [JOG LOCK] again, or the axis reaches its limit.
Remote Jog		The optional remote jog handle is active.






Name	Icon	Meaning
Vector Jog		<p>For five-axis machines, the tool will jog along the vector defined by the rotary positions.</p>
Low Gearbox Oil Flow		<p>This icon appears when low gearbox oil flow persists for 1 minute.</p>
Low Gearbox Oil		<p>The control detected a low gearbox oil level.</p> <p> NOTE: <i>In software version 100.19.000.1100 and higher the control will monitor the gearbox oil level condition when spindle fan is turned OFF. After the spindle fan turns off, there is a delay before the gearbox oil level monitoring will begin. Press [RESET] to clear the low gearbox oil icon.</i></p>
Rotary Lube		<p>Check and fill the rotary table lubrication oil reservoir.</p>
Dirty TSC/HPFC Filter		<p>Clean the Through-Spindle Coolant or High-Pressure Flood Coolant filter.</p>








Name	Icon	Meaning
Low Coolant Concentrate		Fill the concentrate reservoir for the coolant refill system.
PulseJet Low Oil		This icon appears when the system detects a low oil condition on the PulseJet oil reservoir.
Low Lube		The spindle lubrication oil system detected a low oil condition, or the axis ball screw lubrication system detected a low grease or low pressure condition.
Low Oil		The rotary brake oil level is low.
Residual Pressure		Before a lubrication cycle the system detected residual pressure from the grease pressure sensor. This can be caused by an obstruction in the axes grease lubrication system.
Mist Filter		Clean the mist extractor filter.

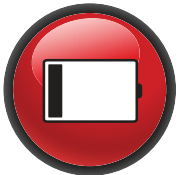






Name	Icon	Meaning
Vise Clamp		This icon appears when the vise is commanded to clamp.
Low Coolant (Warning)		Coolant level is low.
Low PulseJet Oil		The PulseJet oil level is low.
Mist Condenser		This icon appears when the mist condenser is turned on.
Low Air Flow		Inch Mode - Air flow is not sufficient for correct machine operation.
Low Air Flow		Metric Mode - Air flow is not sufficient for correct machine operation.







Name	Icon	Meaning
Spindle		When you press [HANDLE SPINDLE] , the jog handle varies the spindle override percentage.
Feed		When you press [HANDLE FEED] , the jog handle varies the feed rate override percentage.
Handle Scroll		When you press [HANDLE SCROLL] , the jog handle scrolls through the text.
Mirroring		Mirroring mode is active. Either G101 is programmed or Setting 45, 46, 47, 48, 80, or 250 (mirror image of axis X, Y, Z, A, B, or C) is set to ON.
Brake		A rotary axis brake, or a combination of rotary axis brakes, is unclamped.


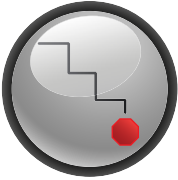




Name	Icon	Meaning
Brake		<p>A rotary axis brake, or a combination of rotary axis brakes, is clamped.</p>
HPU Oil Low		<p>The HPU oil level is low. Check the oil level and add the recommended oil for the machine.</p>
HPU Oil Temperature (Warning)		<p>The oil temperature is too high to reliably operate the HPU.</p>
Spindle Fan Failed		<p>This icon appears when the spindle fan stops operating.</p>
Electronics Overheat (Warning)		<p>This icon appears when the control has detected cabinet temperatures are approaching levels that are potentially dangerous to the electronics. If the temperature reaches or exceeds this recommended level alarm 253 ELECTRONICS OVERHEAT will be generated. Inspect the cabinet for clogged air filters and correctly operating fans.</p>



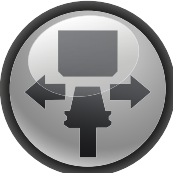



Name	Icon	Meaning
Electronics Overheat (Alarm)		This icon appears when the electronics remains in the overheat state for too long. The machine will not operate until the condition is corrected. Inspect the cabinet for clogged air filters and correctly operating fans.
Transformer Overheat (Warning)		This icon appears when the transformer is detected to be overheated for more than 1 second.
Transformer Overheat (Alarm)		This icon appears when the transformer remains in the overheat state for too long. The machine will not operate until the condition is corrected.
Low Voltage (Warning)		The PFDM detects low incoming voltage. If the condition continues, the machine cannot continue operation.
Low Voltage (Alarm)		The Power Fault Detect Module (PDFM) detects incoming voltage that is too low to operate. The machine will not operate until the condition is corrected.



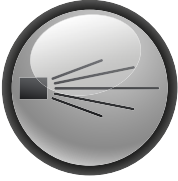


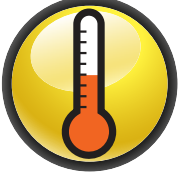
Name	Icon	Meaning
High Voltage (Warning)		<p>The PFDM detects incoming voltage above a set limit, but still within operating parameters. Correct the condition to prevent damage to machine components.</p>
High Voltage (Alarm)		<p>The PFDM detects incoming voltage that is too high to operate and could cause damage to the machine. The machine will not operate until the condition is corrected.</p>
Surge Protector Fault Detected		<p>Indicates a Surge Protector Fault has been detected. This icon is active until the fault has been cleared.</p> <p> WARNING: <i>If continuing to use the machine in this state. The electronics are capable of being damaged due to any electrical surge.</i></p>
Robot Battery is Low		<p>Robot Battery is Low. Please replace the pulse coder batteries as soon as possible. Do NOT turn off the robot, otherwise it may require remastering. Reference 9156.062 ROBOT COMMAND FAILED SRVO-062 BZAL alarm in service documentation for more information.</p>
Motion Sensor Battery is Low		<p>Motion sensor battery is low. Batteries can not be replaced on a motion sensor contact your HFO to order a replacement.</p> <p> NOTE: <i>Geolocation will need to be validated.</i></p>

Name	Icon	Meaning
Motion Sensor Battery is Depleted		<p>Motion sensor battery is depleted. Batteries can not be replaced on a motion sensor contact your HFO to order a replacement.</p> <p> NOTE: <i>Geolocation will need to be validated.</i></p>
High Air (Warning)		<p>The air pressure to the machine is too high to reliably operate pneumatic systems. Correct this condition to prevent damage to or incorrect operation of pneumatic systems. You may need to install a regulator at the machine's air input.</p>
Low Air (Alarm)		<p>The air pressure to the machine is too low to operate pneumatic systems. The machine will not operate until the condition is corrected. You may need a higher-capacity air compressor.</p>
Low Air (Warning)		<p>The air pressure to the machine is too low to reliably operate pneumatic systems. Correct this condition to prevent damage to or incorrect operation of pneumatic systems.</p>
High Air (Alarm)		<p>The air pressure to the machine is too high to operate pneumatic systems. The machine will not operate until the condition is corrected. You may need to install a regulator at the machine's air input.</p>
Pendant E-Stop		<p>[EMERGENCY STOP] on the pendant has been pressed. This icon disappears when [EMERGENCY STOP] is released.</p>

Name	Icon	Meaning
APC E-Stop		<p>[EMERGENCY STOP] on the pallet changer has been pressed. This icon disappears when [EMERGENCY STOP] is released.</p>
Tool Changer E-Stop		<p>[EMERGENCY STOP] on the tool changer cage has been pressed. This icon disappears when [EMERGENCY STOP] is released.</p>
Auxiliary E-Stop		<p>[EMERGENCY STOP] on an auxiliary device has been pressed. This icon disappears when [EMERGENCY STOP] is released.</p>
Remote Jog Handle-XL (RJH-XL) E-Stop		<p>[EMERGENCY STOP] on the RJH-XL has been pressed. This icon disappears when [EMERGENCY STOP] is released.</p>
Single Blk		<p>SINGLE BLOCK mode is active. The control executes programs (1) block at a time. Press [CYCLE START] to execute the next block.</p>
Tool Life (Warning)		<p>The tool life remaining is below Setting 240, or the current tool is the last one in its tool group.</p>

Name	Icon	Meaning
Tool Life (Alarm)		The tool or tool group has expired, and no replacement tools are available.
Opt Stop		OPTIONAL STOP is active. The control stops the program at each M01 command.
Blk Delete		BLOCK DELETE is active. When Block Delete is On, the control ignores (does not execute) the code following a Forward Slash (/), on that same line.
TC Door Open		The side-mount tool changer door is open.
TC Manual Mode		This icon appears when the tool carousel is in manual mode via the auto/manual switch. This switch is only on machines with tool cages.
TL CCW		The side-mount tool changer carousel is rotating counter-clockwise.

Name	Icon	Meaning
TL CW		The side-mount tool changer carousel is rotating clockwise.
Tool Change		A tool change is in progress.
Tool Unclamped		The tool in the spindle is unclamped.
Probe		The probe system is active.
Conveyor Fwd		The conveyor is active and moving forward.
Conveyor Rev		The conveyor is active and moving in reverse.

Name	Icon	Meaning
TSC		The Through-Spindle Coolant (TSC) system is active.
TAB		The Tool Air Blast (TAB) system is active.
Air Blast		The Auto Air Gun is active.
HIL Light		Indicates the optional High Intensity Lights (HIL) are turned ON and the doors are open. Duration is determined by Setting 238.
Coolant		The main coolant system is active.
Spindle Bearing Over heat		Spindle Bearing Over heat.

3.2 More Information Online

For updated information, including tips, tricks, maintenance procedures, and more, visit the Haas Service page at www.HaasCNC.com.

For the most current Operator's and Service Manuals scan the code below with your mobile device:



Chapter 4: Operation

4.1 Machine Power-On

This section tells you how to power-on a new machine for the first time.

1. Press **[POWER ON]** until you see the Haas logo on the screen. After a self-test and boot sequence, the display shows the startup screen.

The startup screen gives basic instructions to start the machine. Press **[CANCEL]** to dismiss the screen.

2. Turn **[EMERGENCY STOP]** to the right to reset it.
3. Press **[RESET]** to clear the startup alarms. If you cannot clear an alarm, the machine may need service. Contact your Haas Factory Outlet (HFO) for assistance.
4. If your machine is enclosed, close the doors.



WARNING:

*Before you do the next step, remember that automatic motion begins immediately when you press **[POWER UP]**. Make sure the motion path is clear. Stay away from the spindle, machine table, and tool changer.*

5. Press **[POWER UP]**.



After the first **[POWER UP]**, the axes move toward their home positions. The axes then move slowly until the machine finds the home switch for each axis. This establishes the machine home position.

6. Press any of the following:
 - a. **[CANCEL]** to dismiss the screen.
 - b. **[CYCLE START]** to run current program.
 - c. **[HANDLE JOG]** for manual operation.

4.2 Spindle Warm-Up

If your machine's spindle has been idle for more than (4) days, run the spindle warm-up program before you use the machine. This program brings the spindle up to speed slowly to distribute the lubrication and let the spindle reach a stable temperature.

Your machine includes a 20-minute warm-up program (O09220) in the program list. If you use the spindle at consistent high speeds, you should run this program every day.

4.3 Device Manager ([LIST PROGRAM])

You use the device manager ([LIST PROGRAM]) to access, save, and manage data on the CNC control, and on other devices attached to the control. You also use the device manager to load and transfer programs between devices, set your active program, and back up your machine data.

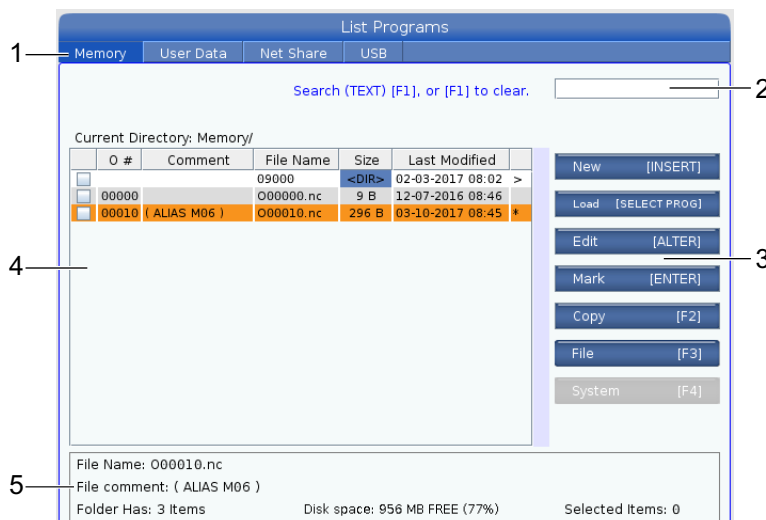
In the tabbed menu at the top of the display, the device manager ([LIST PROGRAM]) shows you only the available memory devices. For example, if you do not have a USB memory device connected to the control pendant, the tabbed menu does not show a **USB** tab. For more information on navigating tabbed menus, refer to page **73**.

The device manager ([LIST PROGRAM]) shows you the available data in a directory structure. At the root of the CNC control are the available memory devices in a tabbed menu. Each device can contain combinations of directories and files, many levels deep. This is similar to the file structure you find in common personal computer operating systems.

4.3.1 Device Manager Operation

Press **[LIST PROGRAM]** to access the device manager. The initial device manager display shows the available memory devices in a tabbed menu. These devices can include machine memory, the User Data directory, USB memory devices connected to the control, and files available on the connected network. Select a device tab to work with the files on that device.

F4.1: Device Manager Initial Screen Example: [1] Available Device Tabs, [2] Search Box, [3] Function Keys, [4] File Display, [5] File Comments (only available in **Memory**).



Use the cursor arrow keys to navigate the directory structure:

- Use the **[UP]** and **[DOWN]** cursor arrow keys to highlight and interact with a file or a directory in the current root or directory.
- Roots and directories have a right-hand arrow character (**>**) in the far-right column of the file display. Use the **[RIGHT]** cursor arrow key to open a highlighted root or directory. The display then shows the contents of that root or directory.
- Use the **[LEFT]** cursor arrow key to return to the previous root or directory. The display then shows the contents of that root or directory.
- The CURRENT DIRECTORY message above the file display tells you where you are in the directory structure; for example: *MEMORY/CUSTOMER 11/NEW PROGRAMS* shows that you are in the subdirectory **NEW_PROGRAMS** inside the directory **CUSTOMER 11**, in the root of **MEMORY**.

4.3.2 File Display Columns

When you open a root or directory with the **[RIGHT]** cursor arrow key, the file display shows you a list of the files and directories in that directory. Each column in the file display has information about the files or directories in the list.

F4.2: Program/Directory List Example

Current Directory: Memory/

	O #	Comment	File Name	Size	Last Modified	
<input type="checkbox"/>			TEST	<DIR>	2015/11/23 08:54	>
<input type="checkbox"/>			programs	<DIR>	2015/11/23 08:54	>
<input type="checkbox"/>	00010		O00010.nc	130 B	2015/11/23 08:54	
<input checked="" type="checkbox"/>	00030		O00030.nc	67 B	2015/11/23 08:54	*
<input type="checkbox"/>	00035		O00035.nc	98 B	2015/11/23 08:54	
<input type="checkbox"/>	00045		NEXTGENTe...	15 B	2015/11/23 08:54	
<input type="checkbox"/>	09001 (ALIAS M89)		O9001.nc	94 B	2015/11/23 08:54	

The columns are:

- File selection check box (no label): Press **ENTER** to toggle a check mark on and off in the box. A check mark in a box indicates that the file or directory selected for operations on multiple files (usually copy or delete).
- Program O Number (o #): This column lists the program numbers of the programs in the directory. The letter 'O' is omitted in the column data. Only available in the **Memory** tab.
- File comment (**Comment**): This column lists the optional program comment that appears in the first line of the program. Only available in the **Memory** tab.
- File Name (**File Name**): This is an optional name that the control uses when you copy the file to a memory device other than the control. For example, if you copy program **o00045** to a USB memory device, the filename in the USB directory is **NEXTGENTest.nc**.
- File Size (**Size**): This column shows the amount of storage space that the file takes up. Directories in the list have the designation **<DIR>** in this column.



NOTE:

*This column is hidden by default, press the **[F3]** button and select **Show File Details** to display this column.*

- Date Last Modified (**Last Modified**): This column shows the last date and time when the file was changed. The format is YYYY/MM/DD HR:MIN.

**NOTE:**

*This column is hidden by default, press the **[F3]** button and select **Show File Details** to display this column.*

- Other Information (no label): This column gives you some information about a file's status. The active program has an asterisk (*) in this column. A letter **E** in this column means that the program is in the program editor. A greater-than symbol (>) indicates a directory. A letter **S** indicates that a directory is part of Setting 252 (refer to page 472 for more information). Use the **[RIGHT]** or **[LEFT]** cursor arrow keys to enter or exit the directory.

4.3.3 Create a New Program

Press **[INSERT]** to create a new file in the current directory. The **CREATE NEW PROGRAM** popup menu shows on the screen:

F4.3: Create New Program Popup Menu Example: [1] Program O number field, [2] File Name field, [3] File comment field.

Enter the new program information in the fields. The **Program O number** field is required; the **File Name** and **File comment** are optional. Use the **[UP]** and **[DOWN]** cursors to move between the menu fields.

Press **[UNDO]** at any time to cancel program creation.

- **Program O number** (required for files created in Memory): Enter a program number up to (5) digits long. The control adds the letter **O** automatically. If you enter a number shorter than (5) digits, the control adds leading zeros to the program number to make it (5) digits long; for example, if you enter 1, the control adds zeros to make it 00001.



NOTE:

Do not use O09XXX numbers when you create new programs. Macro programs often use numbers in this block, and overwriting them may cause machine functions to malfunction or stop working.

- **File Name** (optional): Type a filename for the new program. This is the name the control uses when you copy the program to a storage device other than memory.
- **File comment** (optional): Type a descriptive program title. This title goes into the program as a comment in the first line with the O number.

Press **[ENTER]** to save your new program. If you specified an O number that exists in the current directory, the control gives the message *File with O Number nnnnn already exists. Do you want to replace it?* Press **[ENTER]** to save the program and overwrite the existing program, press **[CANCEL]** to return to the program name popup, or press **[UNDO]** to cancel.

4.3.4 Create A Container

The control has the ability to group files together and create a zip file, you can also unzip the files.

To zip the files:

1. Press **[LIST PROGRAM]**.
2. Navigate and highlight a.nc file.
3. Press **[SELECT PROGRAM]**.
4. Press **[F3]** and select Create Container.
5. Select the programs you will like to zip.



NOTE:

*You can press **[ALTER]** to change the save location.*



NOTE:

Any files that the control cannot find will be marked in red and must be unchecked from the container before it can package the files.

6. Press **[F4]** to start packing.

To unzip the files:

1. Select the ***.hc.zip** file and press **[F3]**.
2. Press **[F4]** to extract the files.

**NOTE:**

When unzipping the control will overwrite existing files and they will be highlighted in red. If you don't want to overwrite existing files make sure you unchecked the file before extracting.

4.3.5 Select the Active Program

Highlight a program in the memory directory, then press **[SELECT PROGRAM]** to make the highlighted program active.

The active program has an asterisk (*) in the far-right column in the file display. It is the program that runs when you press **[CYCLE START]** in **OPERATION:MEM** mode. The program is also protected from deletion while it is active.

4.3.6 Check Mark Selection

The check box column on the far left of the file display lets you select multiple files.

Press **[ENTER]** to place a check mark in a file's check box. Highlight another file and press **[ENTER]** again to put a check mark in that file's check box. Repeat this process until you have selected all of the files you want to select.

You can then do an operation (usually copy or delete) on all of those files at the same time. Each file that is part of your selection has a check mark in the check box. When you choose an operation, the control does that operation on all of the files with check marks.

For example, if you want to copy a set of files from the machine memory to a USB memory device, you would put a check mark on all of the files that you want to copy, then press **[F2]** to start the copy operation.

To delete a set of files, put a check mark on all of files you want to delete, then press **[DELETE]** to start the delete operation.

**NOTE:**

A check-mark selection only marks the file for further operation; it does not make the program active.

**NOTE:**

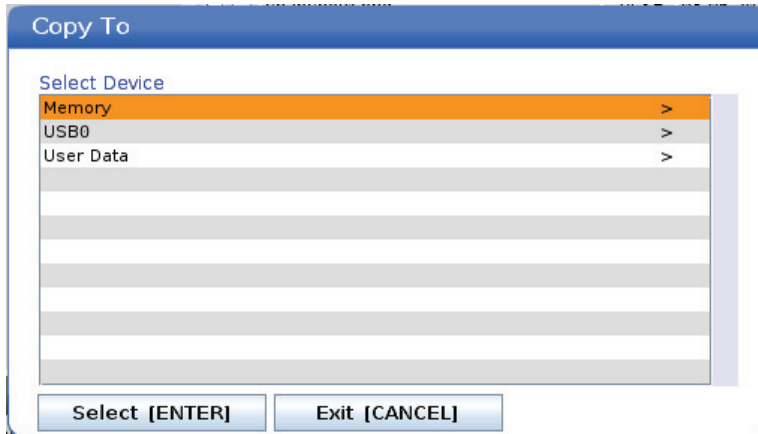
If you have not selected multiple files with check marks, the control does operations only on the currently highlighted directory or file. If you have selected files, the control does operations only on the selected files and not on the highlighted file, unless it is also selected.

4.3.7 Copy Programs

This function lets you copy programs to a device or a different directory.

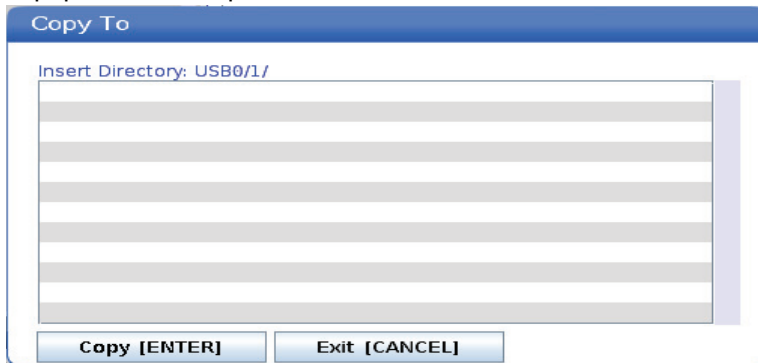
1. To copy a single program, highlight it in the device manager program list and press **[ENTER]** to assign a check mark. To copy multiple programs, check-mark all the programs you want to copy.
2. Press **[F2]** to start the copy operation.
The Select Device popup appears.

F4.4: Select Device



3. Use the cursor arrow keys to select the destination directory. **[RIGHT]** cursor to enter the chosen directory.
The **Insert Directory: Copy** popup menu appears.

F4.5: Copy Popup Menu Example



4. Press **[ENTER]** to complete the copy operation, or press **[CANCEL]** to return to the device manager.

4.3.8 Edit a Program

Highlight a program, and then press **[ALTER]** to move the program into the program editor.

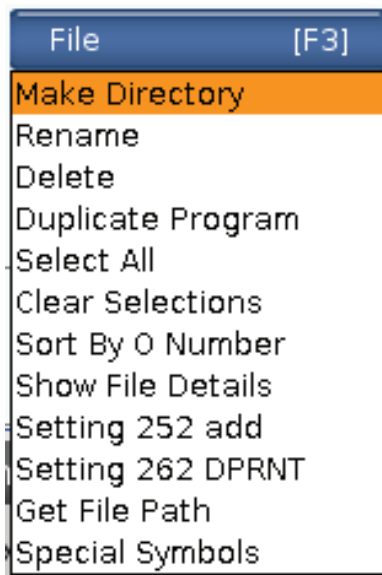
The program has the designation **E** in the far-right column of the file display list when it is in the editor, unless it is also the active program.

You can use this function to edit a program while the active program runs. You can edit the active program, but your changes do not take effect until you save the program and then select it again in the device manager menu.

4.3.9 File Commands

Press **[F3]** to access the file commands menu in the device manager. The list of options appears under the **File [F3]** drop-down menu in the device manager. Use the cursor arrow keys or the jog handle to highlight a command, and then press **[ENTER]**.

F4.6: The File Commands Menu



- **Make Directory:** creates a new subdirectory in the current directory. Type a name for the new directory, and then press **[ENTER]**.
- **Rename:** changes the name of a program. The **Rename** popup menu has the same options as the new program menu (File Name, O Number, and File Title).
- **Delete:** deletes files and directories. When you confirm the operation, the control deletes the highlighted file, or all of the files with check-mark selection.
- **Duplicate Program:** makes a copy of a file in the current location. The **Save As** popup menu asks you to specify a new program name before you can complete this operation.
- **Select All:** adds check-marks to all of the files/directories in the **Current Directory**.
- **Clear Selections:** removes check-marks from all of the files/directories in the **Current Directory**.
- **Sort By O Number:** sorts the program list by O number. Use this menu item again to sort by filename. By default, the program list is sorted by filename. Only available in the **Memory** tab.

- **Setting 252 add / Setting 252 remove:** adds or removes a custom sub-program search location to the list of locations. See Setting Up Search Locations section for more information.
- **Setting 262 DPRNT:** adds a custom destination file path for DPRNT.
- **Get File Path:** places the path and the name of the selected file in parenthesis on the input bar.
- **Special Symbols:** accesses text symbols that are not available on the keyboard. Enter the number of the character you want to use to put it in the input bar. The special characters are: `_ ^ ~ { } \ < >`

4.4 Screen Capture

The control can capture and save an image of the current screen to an attached USB device or the User Data memory.

1. Enter a filename if desired. If no filename is entered, the system will use the default filename (see note).
2. Press **[SHIFT]**.
3. Press **[F1]**.



NOTE:

The control uses the default filename `snapshot#.png`. The # starts from 0 and increments each time you capture a screen. This counter resets at power off. Screen captures that you take after a power cycle overwrite previous screen captures that have the same filename on the User Data memory.

The control saves the screen capture to your USB device or control memory. The message *Snapshot saved to USB* or *Snapshot saved to User Data* appears when the process finishes.

4.5 Error Report

The control can generate an error report that saves the state of the machine that is used for analysis. This is useful when helping the HFO troubleshoot an intermittent problem.

1. Press **[SHIFT]**.
2. Press **[F3]**.

**NOTE:**

Be sure to always generate the error report with the alarm or the error is active.

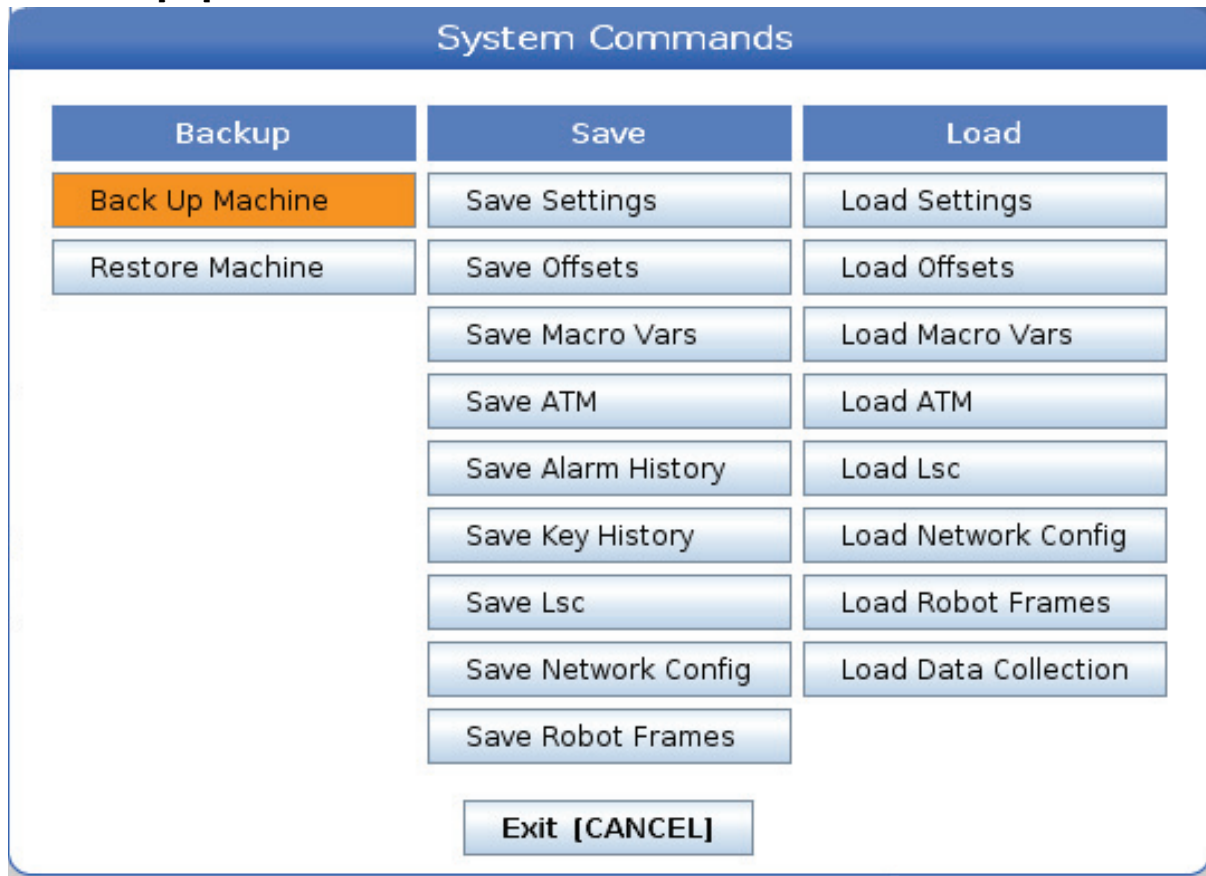
The control saves the error report to your USB device or control memory. The error report is a zip file that includes a screen capture, the active program, and other information used for diagnostics. Generate this error report when an error or an alarm occurs. E-mail the error report to your local Haas Factory Outlet.

4.6 Full Machine Backup

The backup function makes a copy of your machine's settings, programs, and other data so that you can easily restore them.

You create and load backup files with the **System [F4]** drop-down menu.

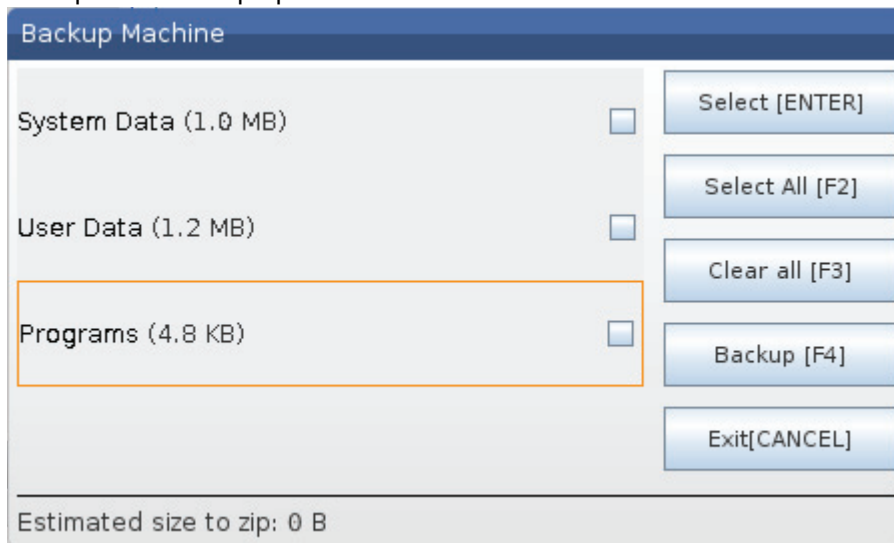
F4.7: [F4] Menu Selections



To create a full machine backup:

1. Press **[LIST PROGRAM]**.
2. Navigate to the **USB** or **Network Device**.
3. Press **[F4]**.
4. Select **Backup Machine** and press **[ENTER]**.

Backup Machine Pop-up Menu



5. Highlight the data to back up and press **[ENTER]** to apply a check mark. Press **[F2]** to select all data. Press **[F3]** to clear all check marks.

6. Press **[F4]**.

The control saves the backup you selected in a zip file labeled **HaasBackup (mm-dd-yyyy) .zip** where mm is the month, dd is the day, and yyyy is the year.

T4.1: Default File Names in the Zip File

Selected Backup	Data Saved	Name of File (Folder)
System Data	Settings	(Serial Number)
System Data	Offsets	OFFSETS.OFS
System Data	Alarm History	AlarmHistory.txt
System Data	Advanced Tool Management (ATM)	ATM.ATM
System Data	Key History	KeyHistory.HIS
Programs	Memory Files and Folders	(Memory)
User Data	User Data Files and Folders	(User Data)

4.6.1 Selected Machine Data Backup

To back up selected information from your machine:

1. If a USB is used, insert a USB memory device into the **[USB]** port on the right side of the control pendant. If **Net Share** is used, make sure **Net Share** is correctly set up.
2. Using the **[LEFT]** and **[RIGHT]** cursors navigate to **usb** in the Device Manager.
3. Open the destination directory. If you want to create a new directory for your backup data, refer to page **111** for instructions.
4. Press **[F4]**.
5. Select the menu option for the data you want to back up, and press **[ENTER]**.
6. Type a filename in the **Save As** pop-up menu. Press **[ENTER]**. The message *SAVED* is displayed after saving is complete. If the name exists you can overwrite or type a new name.

The file types for backups are listed in the following table.

T4.2: Menu Selection and File Name for Backup

F4 Menu Selection	Save	Load	Created File
Settings	yes	yes	USB0/serialnumber/CONFIGURATION/ serialnumber_us.xml
Offsets	yes	yes	filename.OFS
Macro Vars	yes	yes	filename.VAR
ATM	yes	yes	filename.ATM
Lsc	yes	yes	filename.LSC
Network Config	yes	yes	filename.xml
Alarm History	yes	no	filename.txt
Key History	yes	no	filename.HIS

**NOTE:**

When you back up settings, the Control does not prompt for a file name. It saves the file in a subdirectory:

- USB0/machine serial number/CONFIGURATION/machine serial number_us.xml

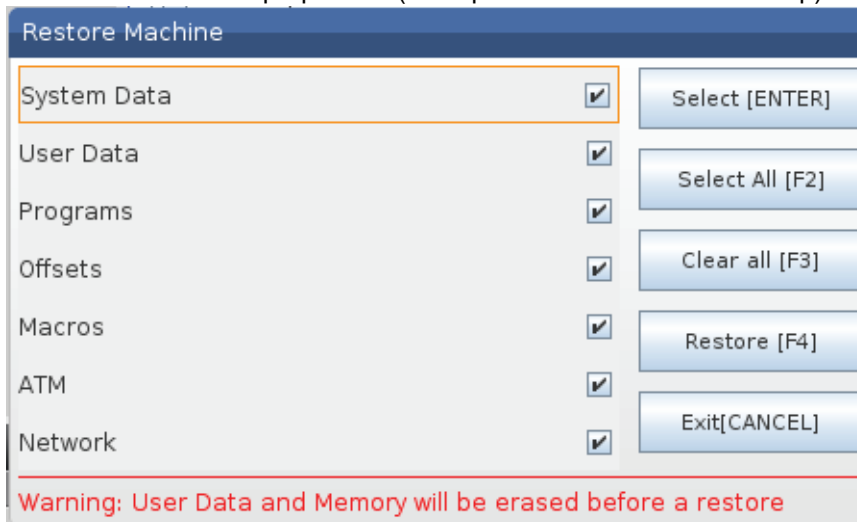
4.7 Restoring a Full Machine Backup

This procedure tells you how to restore your machine data from the backup on a USB memory device.

1. Insert the USB memory device with the backup files into the USB port on the right side of the control pendant.
2. Navigate to **USB** in the Device Manager.
3. Press **[EMERGENCY STOP]**.
4. Open the directory that contains the backup you want to restore.
5. Highlight the HaasBackup zip file to load.
6. Press **[F4]**.
7. Select **Restore Machine** and press **[ENTER]**.

The Restore Machine pop-up window shows what types of data can be selected to restore.

F4.8: **Restore Machine** Pop-up menu (example shows an all data backup)



8. Highlight the data to restore and press **[ENTER]** to apply a check mark. Press **[F2]** to select all data. Press **[F3]** to clear all selectors.

**NOTE:**

*A restore can be stopped at any time by pressing **[CANCEL]** or **[RESET]** except when restoring **System Data**.*

**WARNING:**

User data and memory are erased prior to a restore.

9. Press F4.
Each data area restored is checked-off and initialized.

4.7.1 Restoring Selected Backups

This procedure tells you how to restore selected data backups from a USB memory device.

1. Insert the USB memory device with the backup files into the USB port on the right side of the control pendant.
2. Navigate to **USB** in the Device Manager.
3. Press **[EMERGENCY STOP]**.
4. Open the directory that contains the files you want to restore.
5. Highlight or type in the name of the file to be restored. Typed file name takes precedence over highlighted file name.

**NOTE:**

*Type the backup name with or without a file extension (e.g., **MACROS** or **MACROS.VAR**)*

6. Press **[F4]**.
7. Highlight the backup type to load and press **[ENTER]**.
The highlighted file or the typed name file is loaded on the machine. The message *Disk Done* displays after loading is complete.

**NOTE:**

*Settings load the moment you pick **Settings from the System [F4]** drop-down menu. Highlighting or typing is not required.*

4.8 Basic Program Search

You can use this function to quickly find code in a program.

**NOTE:**

*This is a quick-search function that finds the first match in the search direction that you specify. You can use the Editor for a more full-featured search. Refer to page **181** for more information on the Editor search function.*

1. Type the text you want to find in the active program.
2. Press the **[UP]** or **[DOWN]** cursor arrow key.

The **[UP]** cursor arrow key searches from the cursor position to the start of the program. The **[DOWN]** cursor arrow key searches to the end of the program. The control highlights the first match.

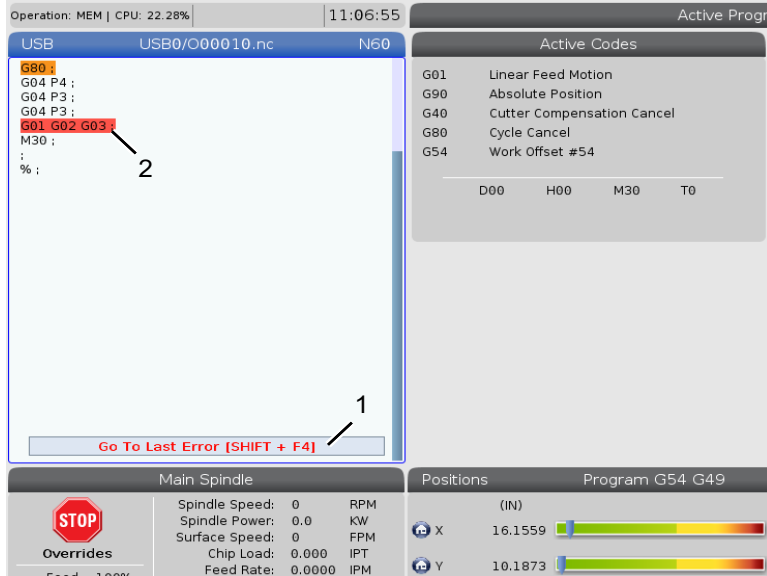
**NOTE:**

Putting your search term within parentheses (), will search only within comment lines.

4.9 Locate the Last Program Error

Starting in software version 100.19.000.1100 the control can find the last error in a program. Press **[SHIFT] + [F4]** to display the last line of G-code that generated the error.

F4.9: Press **[SHIFT] + [F4]** [1] to display the last G-code error [2].



4.10 Safe Run Mode

The purpose of Safe Run is to reduce damage to the machine in the event of a crash. It does not prevent crashes, but it raises an alarm sooner and backs off from the crash location.



NOTE:

The Safe Run feature is available starting in software version 100.19.000.1300.

Safe Run Supported Machines

- VF-1 through VF-5
- VM-2/3
- UMC-500/750/1000
- All DM's
- All DT's
- All TM's
- ST-10 through ST-35

Common causes for crashes are:

- Incorrect tool offsets.
- Incorrect work offsets.
- Wrong tool in the spindle.

**NOTE:**

The Safe Run feature will only detect a crash in handle jog and rapid (G00), it will not detect a crash in a feed move.

Safe Run does the following:

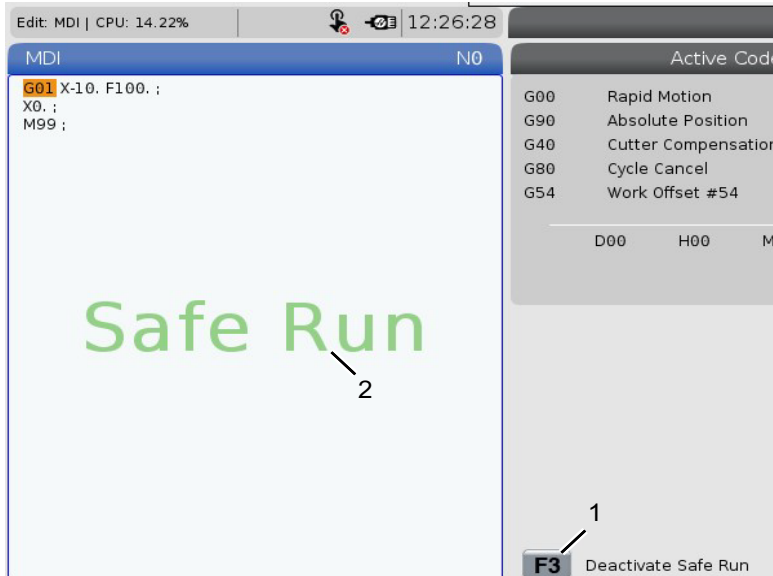
- Slow down the speed of the motion.
- Increases the position error sensitivity.
- When a crash is detected, the control will immediately reverse the axis by a small amount. This will prevent the motor from continuing to drive into the object it has crashed into as well as relieve pressure from the crash itself. After Safe Run has detected a crash, you should be able to easily fit a piece off paper between the two surfaces that crashed.

**NOTE:**

Safe Run is intended for running a program for the first time after writing or changing it. Is it not recommended to run a reliable program with Safe Run, as it increases cycle time significantly. The tool may break and the work piece may still be damaged in a crash.

Safe Run is active during jogging as well. Safe Run can be used during job setup to protect against accidental crashes due to operator error.

F4.10: Safe Run Mode

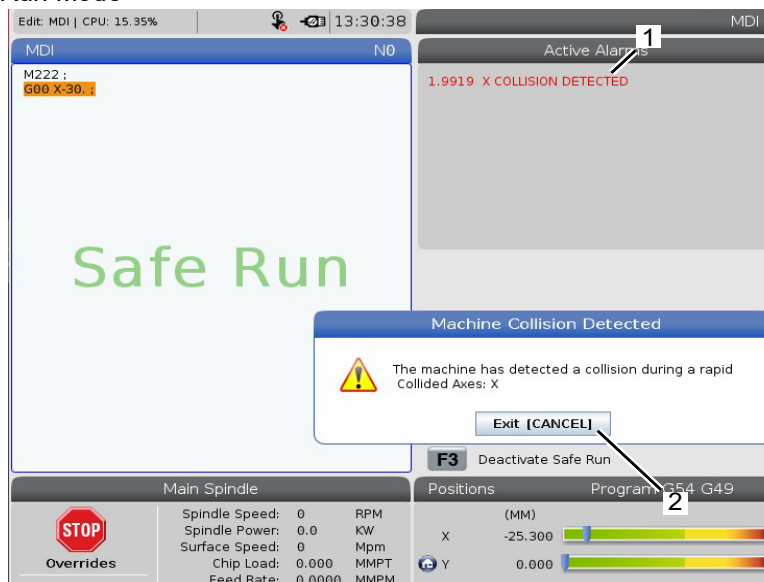


If your machine supports Safe Run, you will see a new icon in MDI with the text *F3 Activate Safe Run* [1]. Press **[F3]** to turn Safe Run on/off. Safe Run Active state is noted by a water mark [2] in the program panel.

It is only active during rapid motions. Rapid motions include G00, **[HOME G28]**, moving to tool changes, and the non-machining motions of canned cycles. Any machining motion such as a feed or tap will not have safe mode active.

Safe Run is not active during feeds due to the nature of crash detection. Cutting forces cannot be discerned from crashes.

F4.11: Safe Run Mode



When a crash is detected, all motion is brought to a stop, an alarm [1] is thrown, and a popup [2] is generated letting the operator know that a crash was detected, and which axis it was detected on. This alarm can be cleared by **[RESET]**.

In certain cases the pressure against the part may not have been relieved by the Safe Run back-off. In the worse case, an additional crash may be generated after you have reset the alarm. If this happens, turn Safe Run off and jog the axis away from the crash location.

4.11 Tooling

This section describes tool management in the Haas control: commanding tool changes, loading tools into holders, and Advanced Tool Management.

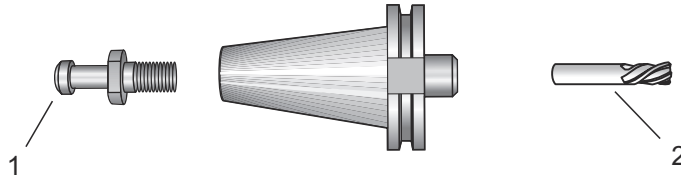
4.11.1 Tool Holders

There are several different spindle options for Haas mills. Each of these types requires a specific tool holder. The most common spindles are 40- and 50-taper. 40-taper spindles are divided into two types, BT and CT; these are referred to as BT40 and CT40. The spindle and tool changer in a given machine are capable of holding only one tool type.

Tool Holder Care

1. Make sure that tool holders and pull studs are in good condition and tightened together securely or they may stick in the spindle.

F4.12: Tool Holder Assembly, 40-Taper CT Example: [1] Pull Stud, [2] Tool (Endmill).



2. Clean the tool holder taper body (the part that goes into the spindle) with a lightly oiled rag to leave a film, which helps prevent rusting.

Pull Studs

A pull stud (sometimes called a retention knob) secures the tool holder into the spindle. Pull studs are threaded into the top of the tool holder and are specific to the type of spindle. Refer to the 30, 40, and 50-taper spindle and tooling information on the Haas Service website for descriptions of the pull studs you need.



CAUTION:

Do not use short-shaft or pull studs with a sharp right-angle (90-degree) head; they will not work and will cause serious damage to the spindle.

4.11.2 Advanced Tool Management Introduction

Advanced Tool Management (ATM) lets you set up groups of duplicate tools for the same or a series of jobs.

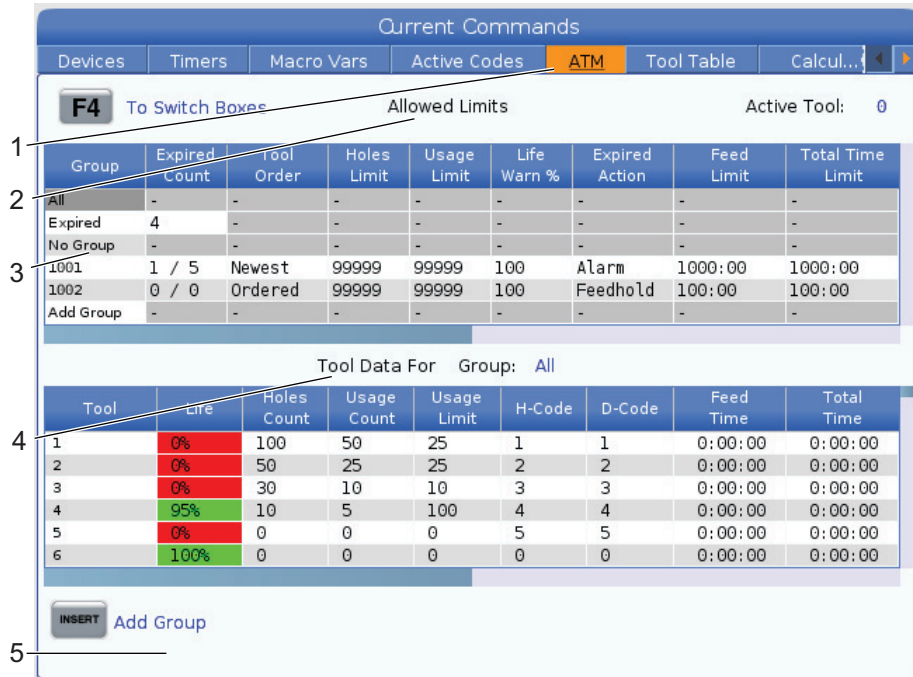
ATM classifies duplicate or backup tools into specific groups. In your program, you specify a group of tools instead of a single tool. ATM tracks the tool use in each tool group and compares it to your defined limits. When a tool reaches a limit, the control considers it “expired.” The next time your program calls that tool group, the control chooses a non-expired tool from the group.

When a tool expires:

- The beacon will flash.
- ATM puts the expired tool in the **EXP** group
- Tool groups that contain the tool appear with a red background.

To use ATM, press **[CURRENT COMMANDS]**, and then select ATM in the tabbed menu. The ATM window has two sections: **Allowed Limits** and **Tool Data**.

F4.13: Advanced Tool Management Window: [1] Active window label, [2] Allowed Limits window, [3] Tool Group window, [4] Tool Data window, [5] Help text



Allowed Limits

This table gives data about all of the current tool groups, including default groups and user-specified groups. **ALL** is a default group that lists all of the tools in the system. **EXP** is a default group that lists all of the tools that are expired. The last row in the table shows all of the tools that are not assigned to tool groups. Use the cursor arrow keys or **[END]** to move the cursor to the row and see these tools.

For each tool group in the **ALLOWED LIMITS** table, you define limits that determine when a tool expires. The limits apply to all tools assigned to this group. These limits affect every tool in the group.

The columns in the **ALLOWED LIMITS** table are:

- **GROUP** - Displays the tool group's ID number. this is the number you use to specify the tool group in a program.
- **EXP #** - Tells you how many tools in the group are expired. If you highlight the **ALL** row, you see a list of all of the expired tools in all groups.
- **ORDER** - Specifies the tool to use first. If you select **ORDERED**, ATM uses the tools in tool number order. You can also have ATM automatically use the **NEWEST** or **OLDEST** tool in the group.

- **USAGE** - The maximum number of times the control can use a tool before it expires.
- **HOLES** - The maximum number of holes a tool is allowed to drill before it expires.
- **WARN** - The minimum value for tool life remaining in the group before the control gives a warning message.
- **LOAD** - The allowed load limit for tools in the group before the control does the **ACTION** that the next column specifies.
- **ACTION** - The automatic action when a tool reaches its maximum tool load percentage. Highlight the tool action box to change and press **[ENTER]**. Use the **[UP]** and **[DOWN]** cursor keys to select the automatic action from the pull down menu (**ALARM, FEEDHOLD, BEEP, AUTOFEED, NEXT TOOL**).
- **FEED** - The total amount of time, in minutes, that the tool can be in a feed.
- **TOTAL TIME** - The total amount of time, in minutes, that the control can use a tool.

Tool Data

This table gives information about each tool in a tool group. To look at a group, highlight it in the **ALLOWED LIMITS** table, and then press **[F4]**.

- **TOOL#** - Shows the tool numbers used in the group.
- **LIFE** - The percentage of life left in a tool. This is calculated by the CNC control, using actual tool data and the allowed limits the operator entered for the group.
- **USAGE** - The total number of times that a program has called the tool (number of tool changes).
- **HOLES** - The number of holes the tool has drilled/ tapped/ bored.
- **LOAD** - The maximum load, in percent, exerted on the tool.
- **LIMIT** - The maximum load allowed for the tool
- **FEED** - The amount of time, in minutes, the tool has been in a feed.
- **TOTAL** - The total amount of time, in minutes, the tool has been used.
- **H-CODE** - The tool-length code to use for the tool. You can edit this only if Setting 15 is set to **OFF**.
- **D-CODE** - The diameter code to use for the tool.



NOTE:

By default, the H- and D-codes in Advanced Tool Management are set to equal the tool number that is added to the group.

Tool Group Setup

To add a tool group:

1. Select the **ALLOWED LIMITS** table.
2. Use the cursor arrow keys to highlight an empty row.

3. Type the group identification number (between 1000 and 2999) that you want to use for the new tool group.
4. Press [ENTER].

Manage Tools in a Group

To add, change, or delete a tool in a group:

1. Highlight the group you want to work with in the ALLOWED LIMITS table.
2. Press [F4] to switch to the TOOL DATA table.
3. Use the cursor arrow keys to highlight an empty row.
4. Type an available tool number between 1 and 200.
5. Press [ENTER].
6. To change a tool number assigned to a group, use the cursor keys to highlight the tool number you want to change.
7. Type a new tool number.



NOTE:

You can type 0 if you want to delete the tool from the tool group.

8. Press [ENTER].

Tool Group Usage

To use a tool group in a program, substitute the tool group ID number for the tool number and for the H-codes and D-codes in the program. Refer to this program for an example of the program format.

Example:

```

%
O30001 (Tool change ex-prog);
(G54 X0 Y0 is top right corner of part) ;
(Z0 is on top of the part) ;
(Group 1000 is a drill) ;(T1000 PREPARATION BLOCKS) ;
T1000 M06 (Select tool group 1000) ;
G00 G90 G40 G49 G54 (Safe startup) ;
X0 Y0 (Rapid to 1st position) ;
S1000 M03 (Spindle on CW) ;
G43 H1000 Z0.1 (Tool group offset 1000 on) ;
M08 (Coolant on) ;
(T1000 CUTTING BLOCKS) ;
G83 Z-0.62 F15. R0.1 Q0.175 (Begin G83);

```

```
X1.115 Y-2.75 (2nd hole);
X3.365 Y-2.87 (3rd hole);
G80 ;
G00 Z1. M09 (Rapid retract, coolant off) ;
G53 G49 Z0 M05 (Z home, spindle off) ;
M01 (Optional stop) ;
(T2000 PREPARATION BLOCKS) ;
T2000 M06 (Select tool group 2000) ;
G00 G90 G40 G49 G54 (Safe startup) ;
G00 G54 X0.565 Y-1.875 (Rapid to 4th position) ;
S2500 M03 (Spindle on CW) ;
G43 H2000 Z0.1 (Tool group offset 2000 on) ;
M08 (Coolant on) ;
(T2000 CUTTING BLOCKS) ;
G83 Z-0.62 F15. R0.1 Q0.175 (Begin G83);
X1.115 Y-2.75 (5th hole) ;
X3.365 Y2.875 (6th hole) ;
(T2000 COMPLETION BLOCKS) ;
G00 Z0.1 M09 (Rapid retract, Coolant off) ;
G53 G49 Z0 M05 (Z home, Spindle off) ;
G53 Y0 (Y home) ;
M30 (End program) ;
%
```

Advanced Tool Management Macros

Advanced Tool Management (ATM) can use macros to obsolete a tool within a tool group. Macros 8001 to 8200 represent tools 1 through 200. You can set one of these macros to 1 to expire a tool. For example:

8001 = 1 (this expires tool 1)

8001 = 0 (this makes tool 1 available)

Macro variables 8500 - 8515 enable a G code program to obtain tool group information. When you specify a tool group ID number with macro 8500, the control returns the tool group information in macro variables #8501 through #8515. Refer to the variables #8500 - #8515 in the Macros chapter for the macro variable data label information.

Macro variables #8550 - #8564 let a G-code program obtain information about individual tools. When you specify an individual tool ID number with macro #8550, the control returns the individual tool information in macro variables #8551 - #8564. You can also specify an ATM group number with macro 8550. In this case, the control returns the individual tool information for the current tool in the specified ATM tool group in macro variables 8551 - 8564. Refer to the description for variables #8550 - #8564 in the Macros chapter. The values in these macros provide data that is also accessible from macros starting at 1601, 1801, 2001, 2201, 2401, 2601, 3201, and 3401 and for macros starting at 5401, 5501, 5601, 5701, 5801, and 5901. These first 8 sets provide access for tool data for tools 1-200; the last 6 sets provide data for tools 1-100. Macros 8551 - 8564 give access to the same data, but for tools 1-200 for all data items.

Save Advanced Tool Management Tables

You can save to USB the variables associated with Advanced Tool Management (ATM).

To save the ATM information:

1. Select the USB device in the Device Manager (**[LIST PROGRAM]**).
2. Type a filename on the input line.
3. Press **[F4]**.
4. Highlight **SAVE ATM** in the pop-up menu.
5. Press **[ENTER]**.

Restore Advanced Tool Management Tables

You can restore from USB the variables associated with Advanced Tool Management (ATM).

To restore the ATM information:

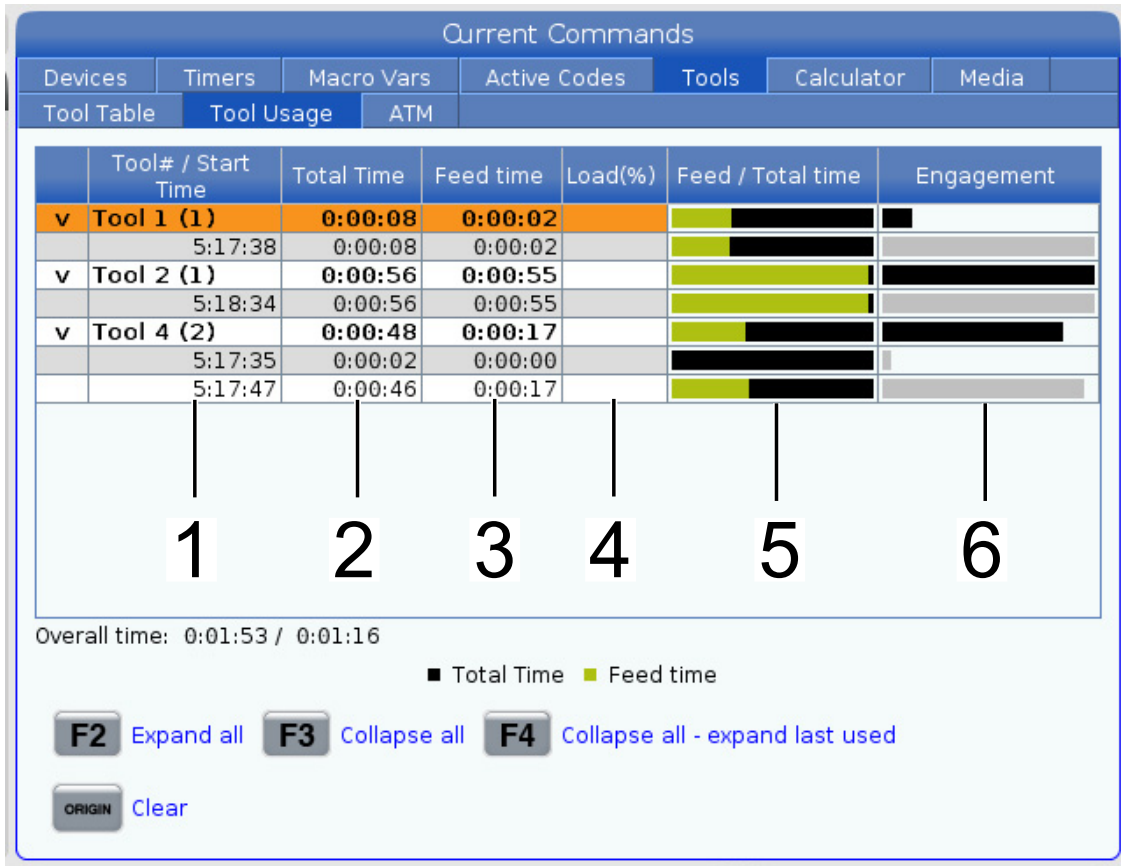
1. Select the USB device in the Device Manager (**[LIST PROGRAM]**).
2. Press **[F4]**.
3. Highlight **LOAD ATM** in the pop-up menu.
4. Press **[EMERGENCY STOP]**.
5. Press **[ENTER]**.

4.11.3 Tool Usage Display

The Tool Usage tab contains information about the tools used in a program. This display will tell you information about each tool used in a program and statistics about each time it was used. It starts to collect information when user Main program start and clear information when meet codes M99, M299, M199.

To get to the Tool Usage display press [**CURRENT COMMANDS**] then go to Tools and then Tool Usage tab.

F4.14: Tool Usage Display



1. **Start Time** - When the tool was inserted to the spindle.
2. **Total Time** - The total time the tool has been in the spindle.
3. **Feed time** - Tool usage time.
4. **Load%** - The maximum load of the Spindle during a tool usage.

**NOTE:**

This value is retrieved every second. The actual load compared to the recorded may vary.

5. **Feed/Total time** - A graphic representation of the feed time of the tool over the total time.
6. **Engagement:**
 - **Black Bar**- The tool usage versus another tools.
 - **Gray Bar** - This bar shows how long the tool was used in this usage related to other usages.

Macros Interface

You can use these macros variables to set and collect the tool usage data.

T4.3: Tool Usage Macro Variables

Macro Variable	Function
#8608	Set the desired tool
#8609	Current tool number - if result more 0 (the tool was used)
#8610	Total time mentioned in #8609 tool number
#8611	Feed time of mentioned tool number
#8612	Total time
#8605	Next usage of a tool
#8614	Usage start time stamp
#8615	Usage Total time
#8616	Usage Feed time
#8617	Usage Max load

4.11.4 Tool Info Display

The Tool Info display tab allows user to specify maximum RPM for a tool. You can also specify a tool description in the same table.

To get to the Tool Info display press **[CURRENT COMMANDS]** then go to Tools and then Tool Info tab.

F4.15: Tool Info Display

Current Commands

Devices Timers Macro Vars Active Codes Tools Plane Calculator

Tool Table Tool Usage ATM Tool Info

Search **F1**

Tool	Description	Max Speed
1	2 IN END MILL	8000
2	5 IN END MILL	2000
3		--
4		--
5		--
6		--
7		--
8		--
9		--
10		--
11		--
12		--
13		--
14		--
15		--
16		--

ORIGIN Clear — 3

1 — **ENTER** Set Max Speed

2 — **F3** Update Description

1. To set the max speed for a tool highlight the tool row and type in the desired max speed and press **[ENTER]**.
2. To set the tool description highlight the tool row and type in the description and press **[F3]**.
3. To clear the tool max speed or description press **[ORIGIN]**.

4.12 WorkHolding Tab- Overview

Starting in software version 100.20.000.1110 a workholding tab was added to the control to support multiple workholding devices. The control will support Haas E-Vise [1], Hydraulic [2] and Pneumatic [3] vises.

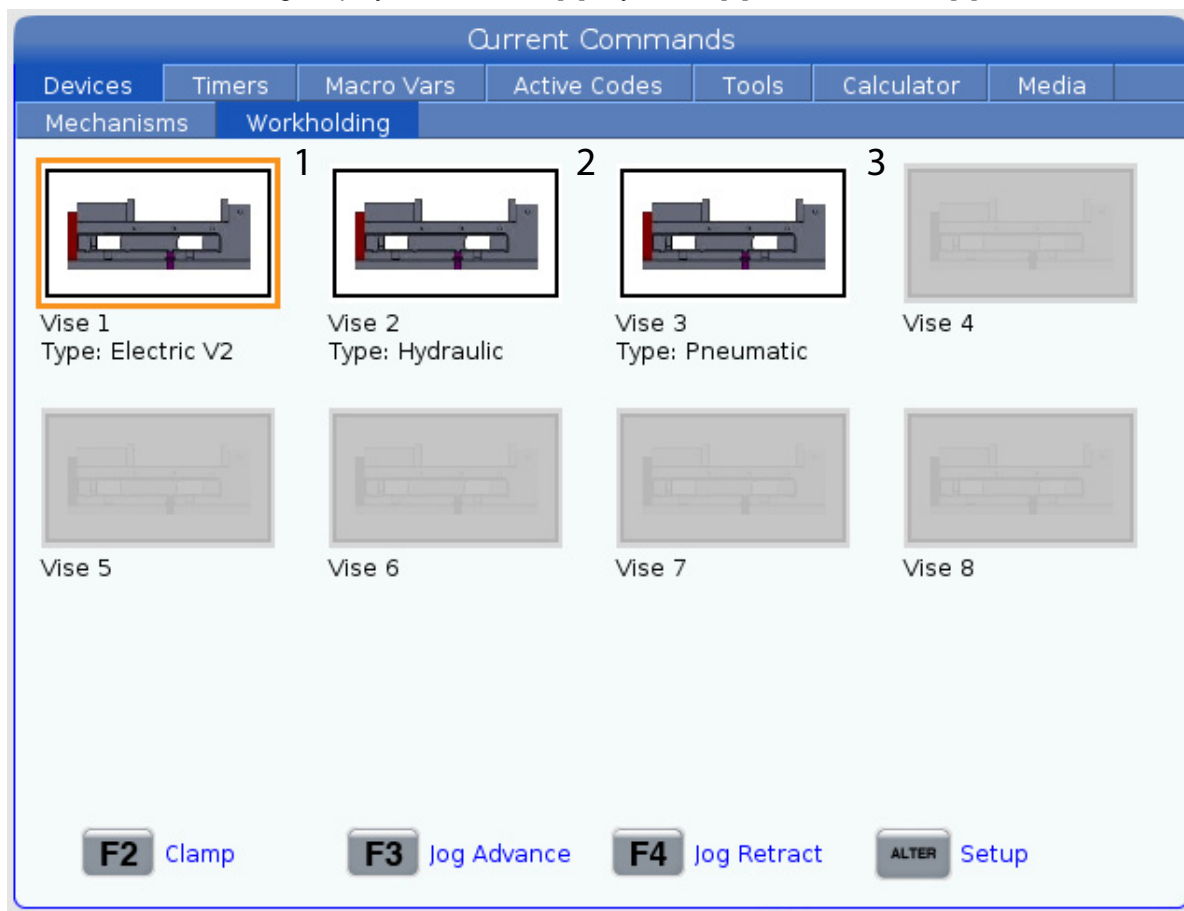
The machine supports up to 3 foot pedals each would toggle Vise1, Vise2, and Vise3 respectively. If you have a single pedal you will need to enable Vise1 to the vise you want be actuated by the foot pedal.



NOTE:

The E-vise is used on the Mill APL and Robot systems but can also be used as a stand-alone product.

F4.16: Workholding Display Tab - Electric [1], Hydraulic [2], and Pneumatic [3] Vises



You can actuate up to 8 workholding devices.

To access the Workholding page press **[CURRENT COMMANDS]** and navigate to Devices > Workholding.

From the Workholding display tab you will be able to:

- Setup the workholding devices
- Enable and Disable workholding devices
- Clamp and Unclamp
- Jog Advance / Retract (E-Vises only)

4.12.1 E-Vise Setup

To enable the E-Vise press **[CURRENT COMMANDS]** and navigate to Devices > Workholding.

Select one of the workholding devices and press **[ALTER]** to enter the setup page.

F4.17: Electric Vise Setup page

Name		Value	Units
Workholding 1	>	Haas Electric V2	
Vise Clamping Time		4.0	Sec
Vise Unclamping Time		4.0	Sec
Electric Vise Clamp Strength		6	
Electric Vise Clamp Type	>	O.D.	

Description

Defines the type of vise that is associated with the selected workholding.

Please unclamp workholding and remove any material.

Press [E-STOP] and select the workholding type.

ALTER To vises view

1. Workholding - This setting defines the type of vise that is associated with the selected workholding. Press **[E-STOP]** and set this setting to Haas Electric V2.
2. Vise Clamping Time - This setting defines amount of time the vise will move towards the clamp position. If the E-Vise does not detect a part within the specified time the machine will generate an alarm.

**NOTE:**

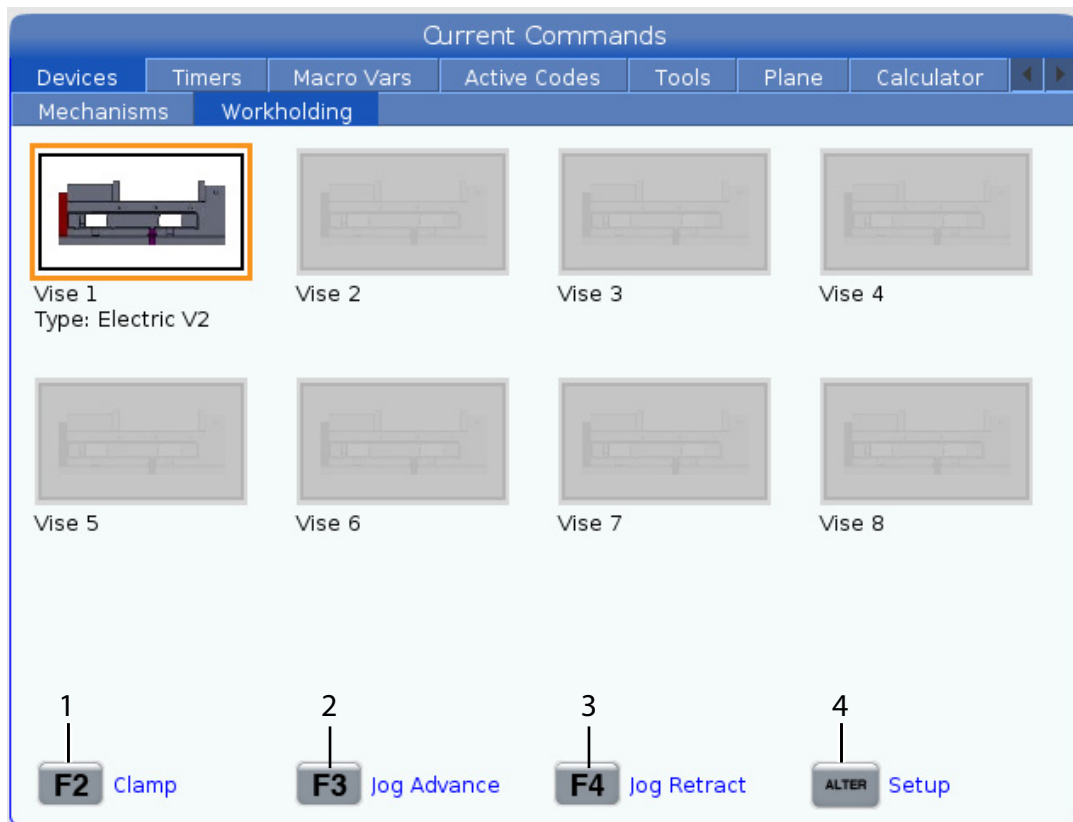
This setting does not affect jogging.

3. Vise Unclamping Time- This setting defines the amount of time the vise will move in the unclamp direction.
4. Electric Vise Clamp Strength - This setting only applies to E-vises. This setting defines the amount of force used during clamping. The value specified in this setting will determine which pair of voltage % and Current limit parameters will be used.

5. Electric Vise Clamp Type - This setting only applies to E-vises. This setting defines whether the workholding clamps the Outer Diameter (O.D) or the inner diameter (I.D) of a workpiece.

Press **[ALTER]** to exit the setup mode.

F4.18: Workholding - Electric Vise Display



1. Clamp/Unclamp - Press **[F2]** to Clamp or Unclamp the E-Vise.
Use `M70 P1 / M71 P1` in the program to clamp or unclamp the E-vise.
For more information refer to “M70 Workholding Clamp / M71 Workholding Unclamp” on page 422.
2. Jog Advance - Press **[F3]** to advance the E-vise to the clamp direction.
3. Jog Retract - Press **[F4]** to Retract the E-vise to the unclamp direction.
4. Setup - Press **[ALTER]** to enter the E-vise setup page.

4.12.2 Hydraulic Vise - Setup

To enable a Hydraulic Vise press **[CURRENT COMMANDS]** and navigate to Devices > Workholding.

F4.19: Hydraulic Vise Setup page

The screenshot shows the 'Current Commands' interface with the 'Workholding' tab selected. The table below is the main data area:

Name	>	Value	Units
Workholding 1	>	Custom Hydraulic Vise	
Vise Clamping Time		4.0	Sec
Vise Unclamping Time		4.0	Sec
Electric Vise Clamp Strength		6	
Clamp Type	>	0.D.	

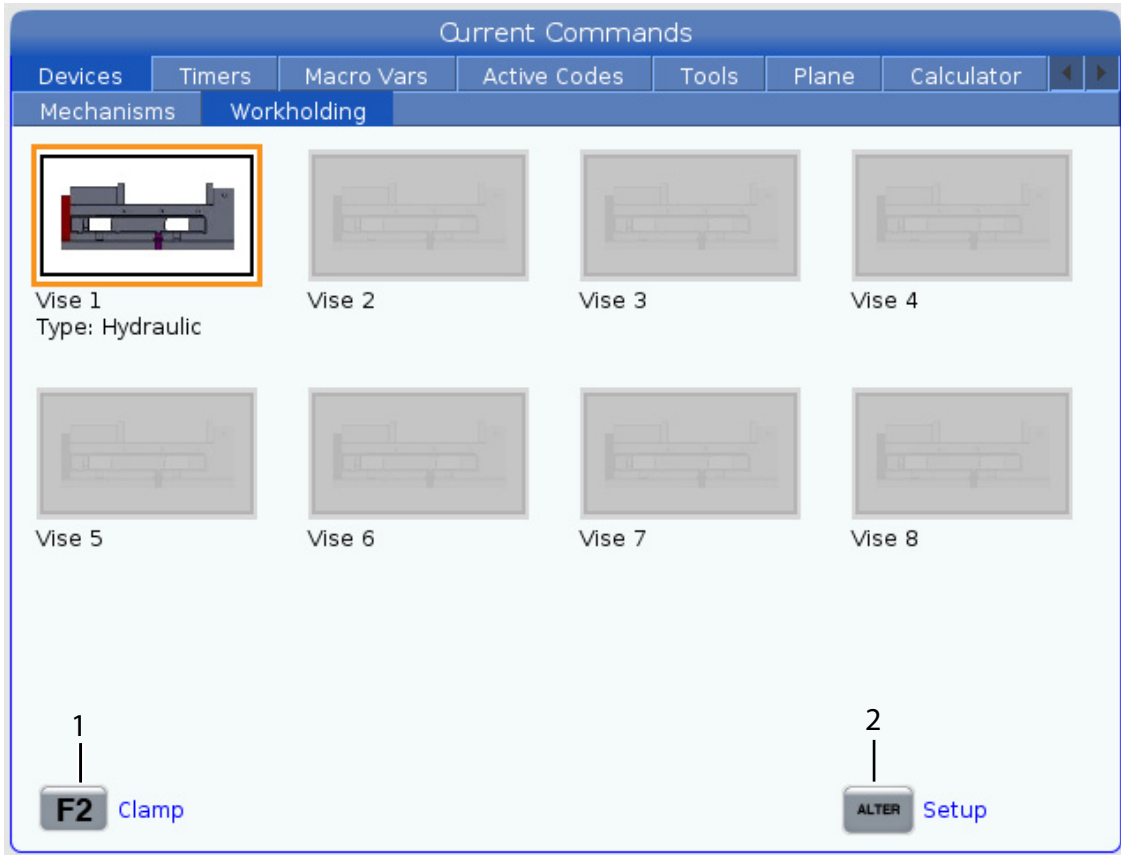
Below the table is a 'Description' box containing the following text:

Defines the type of vise that is associated with the selected workholding.
 Please unclamp workholding and remove any material.
 Press [E-STOP] and select the workholding type.

At the bottom right, there is an **ALTER** button and the text 'To vises view'.

1. Workholding - This setting defines the type of vise that is associated with the selected workholding. Press **[E-STOP]** and set this setting to Custom Hydraulic Vise.
2. Vise Clamping Time - This setting defines amount of time the control waits for the vise to be considered clamped.
3. Vise Unclamping Time- This setting defines the amount of time the control waits for the vise to be considered unclamped.
4. Press **[ALTER]** to exit the setup mode.

F4.20: Workholding - Hydraulic Vise Display



1. Clamp/Unclamp - Press **[F2]** to Clamp or Unclamp the Vise.
In the program use M70 P1 to clamp and M71 P1 the vise. When commanding the M70 Pn / M71 Pn code the control will toggle an I/O output. Make sure the solenoid valve is connected to the correct output see the table below.

T4.4: Hydraulic / Pneumatic Vise Outputs

M-Code Clamp / Unclamp	I/O Output (see note)
M70 P1 (Clamp) / M71 P1 (Unclamp)	176 - User Vise 1 Unclamp
M70 P2 (Clamp) / M71 P2 (Unclamp)	102 - User Vise 2 Unclamp
M70 P3 (Clamp) / M71 P3 (Unclamp)	121 - User Vise 3 Unclamp
M70 P4 (Clamp) / M71 P4 (Unclamp)	123 - User Vise 4 Unclamp

M-Code Clamp / Unclamp	I/O Output (see note)
M70 P5 (Clamp) / M71 P5 (Unclamp)	124 - User Vise 5 Unclamp
M70 P6 (Clamp) / M71 P6 (Unclamp)	125 - User Vise 6 Unclamp
M70 P7 (Clamp) / M71 P7 (Unclamp)	131 - User Vise 7 Unclamp
M70 P8 (Clamp) / M71 P8 (Unclamp)	132 - User Vise 8 Unclamp



NOTE:

The output will show a 1 when the user vise is unclamped and 0 when clamped.

For more information refer to “M70 Workholding Clamp / M71 Workholding Unclamp” on page 422.

2. Setup - Press **[ALTER]** to enter the Hydraulic vise setup page.

UMC Procedures:

The UMC Hydraulic Workholding / Vise installation procedures can be found on the Haas Service website. You can also scan the codes below with your mobile device to go directly to the procedure.

The AD0499 procedure shows you how to install the UMC Hydraulic Workholding union.

F4.21: UMC Hydraulic Workholding - Installation - AD0499



The AD0514 procedure shows you how to install and remove a Hydraulic Vise on a UMC.

F4.22: UMC Hydraulic Vise - Installation/ Removal - AD0514



4.12.3 Pneumatic Vise - Setup

To enable a Pneumatic Vise press **[CURRENT COMMANDS]** and navigate to Devices > Workholding.

F4.23: Pneumatic Vise Setup page

Name		Value	Units
Workholding 1	>	Custom Pneumatic Vise	
Vise Clamping Time		4.0	Sec
Vise Unclamping Time		4.0	Sec
Electric Vise Clamp Strength		6	
Electric Vise Clamp Type	>	O.D.	

Description

Defines the type of vise that is associated with the selected workholding.

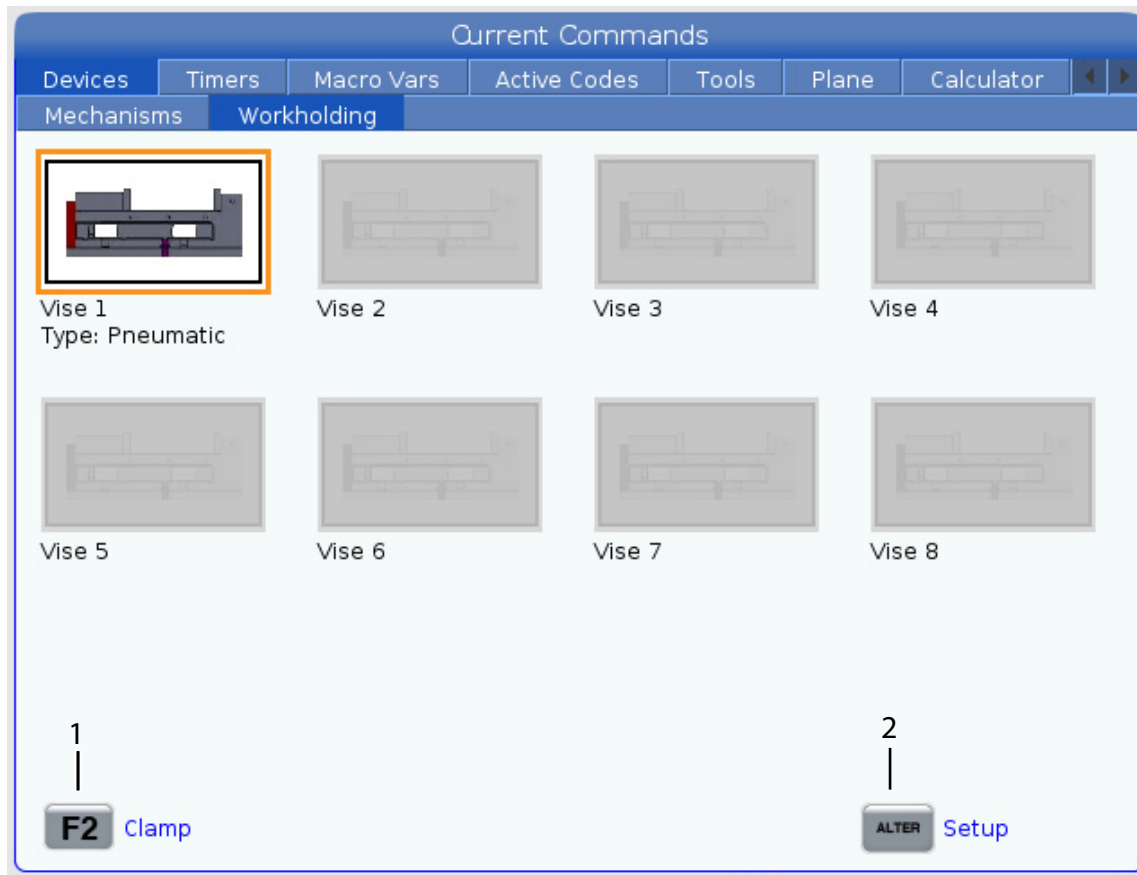
Please unclamp workholding and remove any material.

Press [E-STOP] and select the workholding type.

4 — **ALTER** To vises view

1. Workholding - This setting defines the type of vise that is associated with the selected workholding. Press **[E-STOP]** and set this setting to Custom Pneumatic Vise.
2. Vise Clamping Time - This setting defines amount of time the control waits for the vise to be considered clamped.
3. Vise Unclamping Time- This setting defines the amount of time the control waits for the vise to be considered unclamped.
4. Press **[ALTER]** to exit the setup mode.

F4.24: Workholding - Pneumatic Vise Display



1. Clamp/Unclamp - Press **[F2]** to Clamp or Unclamp the Vise. In the program use `M70 P1` to clamp and `M71 P1` the vise. When commanding the `M70 Pn / M71 Pn` code the control will toggle an I/O output. Make sure the solenoid valve is connected to the correct output see the table below.

T4.5: Hydraulic / Pneumatic Vise Outputs

M-Code Clamp / Unclamp	I/O Output (see note)
M70 P1 (Clamp) / M71 P1 (Unclamp)	176 - User Vise 1 Unclamp
M70 P2 (Clamp) / M71 P2 (Unclamp)	102 - User Vise 2 Unclamp
M70 P3 (Clamp) / M71 P3 (Unclamp)	121 - User Vise 3 Unclamp
M70 P4 (Clamp) / M71 P4 (Unclamp)	123 - User Vise 4 Unclamp

M-Code Clamp / Unclamp	I/O Output (see note)
M70 P5 (Clamp) / M71 P5 (Unclamp)	124 - User Vise 5 Unclamp
M70 P6 (Clamp) / M71 P6 (Unclamp)	125 - User Vise 6 Unclamp
M70 P7 (Clamp) / M71 P7 (Unclamp)	131 - User Vise 7 Unclamp
M70 P8 (Clamp) / M71 P8 (Unclamp)	132 - User Vise 8 Unclamp

**NOTE:**

The output will show a 1 when the user vise is unclamped and 0 when clamped.

For more information refer to “M70 Workholding Clamp / M71 Workholding Unclamp” on page 422.

2. Setup - Press **[ALTER]** to enter the Hydraulic vise setup page.

4.13 Tool Changers

There are (2) types of mill tool changers: the umbrella style (UTC), and the side-mount tool changer (SMTC). You command both tool changers in the same way, but you set them up differently.

1. Make sure the machine is zero returned. If it is not, press **[POWER UP]**.
2. Use **[TOOL RELEASE]**, **[ATC FWD]**, and **[ATC REV]** to manually command the tool changer. There are (2) tool release buttons; one on the spindle head cover and another on the keyboard.

4.13.1 Loading the Tool Changer

**CAUTION:**

Do not exceed the maximum tool changer specifications. Extremely heavy tool weights should be distributed evenly. This means heavy tools should be located across from one another, not next to each other. Ensure there is adequate clearance between tools in the tool changer; this distance is 3.6" for a 20-pocket and 3" for a 24+1 pocket. Check your tool changer specifications for the correct minimal clearance between tools.



NOTE:

Low air pressure or insufficient volume reduces the pressure applied to the tool release piston and will slow down tool change time or will not release the tool.



WARNING:

Stay away from the tool changer during power up, power down, and during tool changer operations.

Always load tools into the tool changer from the spindle. Never load a tool directly into the tool changer carousel. Some mills have remote tool changer controls to let you inspect and replace tools at the carousel. This station is not for initial loading and tool assignment.



CAUTION:

Tools that make a loud noise when released indicate a problem and should be checked before serious damage occurs to the tool changer or spindle.

Tool Table

This section tells you how to use the tool table to give the control information about your tools.



NOTE:

If your machine has an umbrella-style tool changer, you will not use the tool pocket table.

- To access the Tool Pocket Table, press **[CURRENT COMMANDS]** and choose the **Tool Table** tab.

F4.25: Tool Table Display

Current Commands

Devices Timers Macro Vars Active Codes ATM **Tool Table** Calcul...

Active Tool 31 — 2 Next Pocket 2 — 3

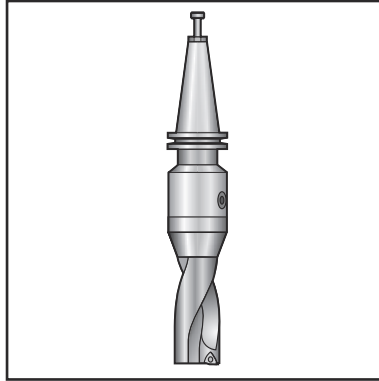
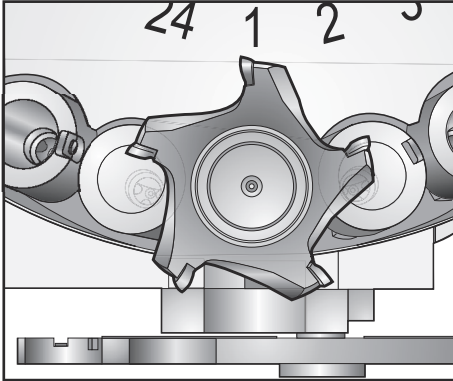
Pocket	Category	Tool
Spindle		31
1		13
2*	11	12
3		8
4		4
5		9
6		7
7		22
8		15
9		5
10		3
11		6
12		14
13		16
14		30
15		10
16		17
17		18
18		19
19		23
20		20

4 — Set pocket as large [L]
 5 — Set pocket as heavy [H]
 6 — Set pocket as XL [X]
 7 — Clear category [SPACE]
 8 — Set tool [###] + [ENTER]
 9 — Clear tool [0] + [ENTER]
 10 — Reset table [ORIGIN]

* Indicates Current Tool Changer Pocket
 Green indicates a large pocket. Yellow indicates an extra large pocket.

- Active Tool-** Tells you the tool number that is installed in the spindle.
- Active Pocket -** this show you the next pocket number.

F4.26: A Large (left), and a Heavy (not Large) Tool (right)



4. **Set pocket as Large [L]** - Use this flag when a large tool has a diameter of greater than 3" for 40-taper machines and greater than 4" for 50-taper machines. Scroll to the pocket of interest and press **[L]** to set the flag.



CAUTION:

You cannot place a large tool in the tool changer if one or both of the surrounding pockets already contain tools. Doing so causes the tool changer to crash. Large tools must have the surrounding pockets empty. However, large tools can share adjoining empty pockets.

5. **Set pocket as heavy [H]** - Use this flag when a Heavy, Small Diameter 40-taper tool (4 lb or heavier) or a 50-taper tool (12 lb or heavier) is loaded into the spindle. Scroll to the pocket of interest and press **[H]** to set the flag.
6. **Set pocket as XL [X]** - Use this flag when two adjacent pockets at each side of the tool are needed. Scroll to the pocket of interest and press **[X]** to set the flag.



NOTE:

This option only appears if your machine is a 50-taper.

7. **Clear category [Space]** - Highlight the desired tool and press **[SPACE]** to clear the flag.
8. **Set tool [###] + [Enter]** - Highlight the desired pocket and type in the tool number + **[ENTER]** to set the desired tool number.



NOTE:

*You cannot assign a tool number to more than one pocket. If you enter a tool number that is already defined in the tool pocket table, you see an *Invalid tool error*.*

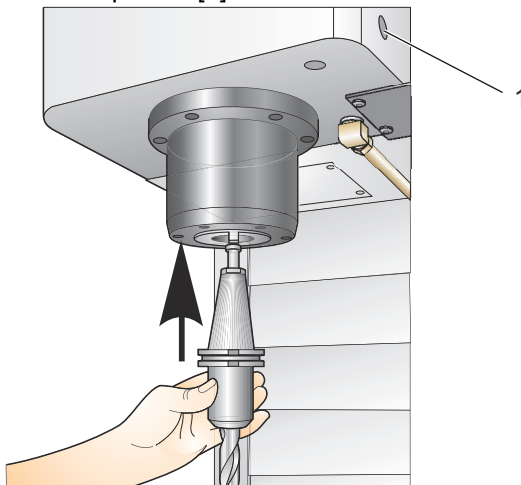
9. **Clear tool [0] + [Enter]**- Highlight the desired pocket and press **[0] + [ENTER]** to clear out the tool number.
10. **Reset table [Origin]** - Press **[ORIGIN]** with the cursor in the center column to use the **[ORIGIN]** menu. This menu lets you:
 - **Sequence All Pockets** - Makes all of the tool numbers sequential based on their pocket location, starting with 1.
 - **Zero All Pockets** - Removes all of the tool numbers from all of the pocket numbers.
 - **Clear Category Flags** - Removes the category designations from all of the tools.
11. * Indicates current tool changer pocket.

Tool Loading for a Side-Mount Tool Changer

This section tells you how to load tools into an empty tool changer for a new application. It assumes that the pocket tool table still contains information from the previous application.

1. Make sure your tool holders have the correct pull stud type for the mill.
2. Press **[CURRENT COMMANDS]** then navigate to the **TOOL TABLE** tab and press the **[DOWN]** cursor. Refer to the “Tool Table” on page 145 to set the correct tool information into the tool table.
3. Insert tool 1 (pull stud first) into the spindle.

F4.27: Inserting a Tool Into the Spindle: [1] Tool release button.



4. Turn the tool so that the two cutouts in the tool holder line up with the tabs of the spindle.
5. Push the tool upward and press the tool release button.
6. When the tool is fitted into the spindle, release the tool release button.

High-Speed Side-Mount Tool Changer

The high-speed side-mount tool changer has an additional tool assignment, which is “Heavy”. Tools that weigh more than 4 pounds are considered heavy. You must designate heavy tools with H (Note: All large tools are considered heavy). During operation, an “h” in the tool table denotes a heavy tool in a large pocket.

As a safety precaution, the tool changer will run at a maximum of 25% of the normal speed when it changes a heavy tool. The pocket up/down speed is not slowed down. The control restores the speed to the current rapid when the tool change is complete. Contact your HFO for assistance if you have problems with unusual or extreme tooling.

H - Heavy, but not necessarily large (large tools require empty pockets on either side).

h - Heavy small diameter tool in a pocket designated for a large tool (must have empty pocket on both sides). The lower case “h” and “l” is placed by the control; never enter a lower case “h” or “l” into the tool table.

l - Small diameter tool in a pocket reserved for a large tool in the spindle.

Large tools are assumed to be heavy.

Heavy tools are not assumed to be large.

On non-high speed tool changers, “H” and “h” have no effect.

Using ‘0’ for a Tool Designation

In the tool table, enter 0 (zero) for the tool number to label a tool pocket “always empty”. The tool changer does not “see” this pocket, and it never tries to install or retrieve a tool from pockets with a ‘0’ designation.

You cannot use a zero to designate the tool in the spindle. The spindle must always have a tool number designation.

Moving Tools in the Carousel

If you need to move tools in the carousel, follow this procedure.



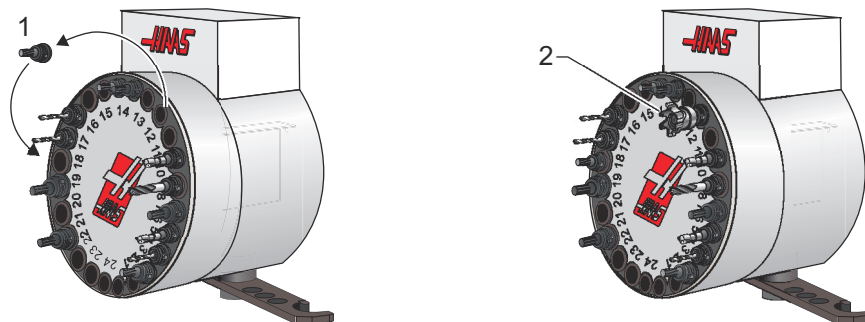
CAUTION:

Plan the reorganization of the tools in the carousel ahead of time. To reduce the potential for tool changer crashes, keep tool movement to a minimum. If there are large or heavy tools currently in the tool changer, ensure that they are only moved between tool pockets designated as such.

Moving Tools

The tool changer pictured has an assortment of normal-sized tools. For the purposes of this example, we need to move tool 12 to pocket 18 to make room for a large-sized tool in pocket 12.

F4.28: Making Room for Large Tools: [1] Tool 12 to Pocket 18, [2] Large Tool in Pocket 12.



1. Select **MDI** mode. Press **[CURRENT COMMANDS]** and navigate to the **TOOL TABLE** display. Identify the tool number that is in pocket 12.
2. Type **Tnn** (where nn is the tool number from step 1). Press **[ATC FWD]**. This places the tool from pocket 12 into the spindle.
3. Type **P18** then press **[ATC FWD]** to put the tool in the spindle into pocket 18.
4. Scroll to pocket 12 in the **TOOL TABLE** and press **L** then **[ENTER]** to designate pocket 12 as large.
5. Enter the tool number into **SPINDLE** on the **TOOL TABLE**. Insert the tool into the spindle.



NOTE:

Extra-large tools can be programmed as well. An “extra-large” tool is one that takes up three pockets; the diameter of the tool covers the tool pocket on either side of the pocket it is installed in. Contact your HFO to provide a special configuration if a tool this size is needed. The tool table must be updated since two empty pockets are needed between extra large tools.

6. Enter **P12** into the control and press **[ATC FWD]**. The tool is placed into pocket 12.

Umbrella Tool Changer

Tools are loaded into the umbrella tool changer by first loading the tool into the spindle. To load a tool into the spindle, prepare the tool and then follow these steps:

1. Ensure the tools loaded have the correct pull stud type for the mill.
2. Press **[MDI/DNC]** for MDI mode.
3. Organize the tools to match to the CNC program.
4. Take tool in hand and insert the tool (pull stud first) into the spindle. Turn the tool so that the two cutouts in the tool holder line up with the tabs of the spindle. Push the tool upward while pressing the Tool Release button. When the tool is fitted into the spindle, release the Tool Release button.
5. Press **[ATC FWD]**.
6. Repeat Steps 4 and 5 with the remaining tools until all the tools are loaded.

4.13.2 Umbrella Tool Changer Recovery

If the tool changer jams, the control will automatically come to an alarm state. To correct this:



WARNING:

Never put your hands near the tool changer unless there is an alarm displayed first.

1. Remove the cause of the jam.
2. Press **[RESET]** to clear the alarms.
3. Press **[RECOVER]** and follow the directions to reset the tool changer.

4.13.3 SMTC Programming Notes

Tool Pre-Call

To save time, the control looks ahead as far as 80 lines into your program to process and prepare machine motion and tool changes. When look-ahead finds a tool change, the control puts the next tool in your program into position. This is called “tool pre-call.”

Some program commands stop look-ahead. If your program has these commands before the next tool change, the control does not pre-call the next tool. This can cause your program to run slower, because the machine must wait for the next tool to move into position before it can change tools.

Program commands that stop look-ahead:

- Work offset selections (G54, G55, etc.)
- G103 Limit Block Buffering, when programmed without a P address or with a nonzero P address
- M01 Optional Stop
- M00 Stop Program

- Block Delete Slashes (/)
- A large number of program blocks executed at high speed

To make sure that the control pre-calls the next tool without look-ahead, you can command the carousel to the next tool position immediately after a tool change command, as in this code snippet:

```
T01 M06 (TOOL CHANGE) ;  
T02 (PRE-CALL THE NEXT TOOL) ;
```

4.13.4 SMTC Recovery

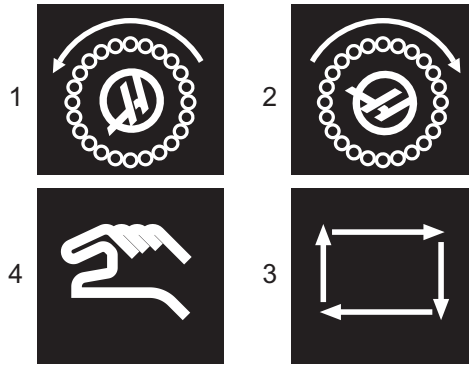
If a problem occurred during a tool change, a tool changer recovery needs to be performed. Enter the tool changer recovery mode by:

1. Press **[RECOVER]** and navigate to the **TOOL CHANGER RECOVERY** tab.
2. Press **[ENTER]**. If there is no Alarm, the control first attempts an automatic recovery. If there is an alarm press **[RESET]** to clear the alarms and repeat from step 1.
3. At the **VMSTC TOOL RECOVERY** screen, press **[A]** to begin automatic recovery or **[E]** to exit.
4. If the automatic recovery fails, press **[M]** to continue for a manual recovery.
5. In manual mode, follow the instructions and answer the questions to perform a proper tool changer recovery. The entire tool changer recovery process must be completed before exiting. Start the routine from the beginning if you exit the routine early.

4.13.5 SMTC Door Switch Panel

Mills such as the MDC, EC-300 and EC-400 have a sub-panel to aid tool loading. The Manual/Automatic Tool Change switch must be set to “Automatic Operation” for automatic tool changer operation. If the switch is set to “Manual”, the two buttons, labeled with clockwise and counterclockwise symbols, are enabled and automatic tool changes are disabled. The door has a sensor switch which detects when the door is open.

F4.29: Tool Changer Door Switch Panel Symbols: [1] Rotate Tool changer Carousel Counter-Clockwise, [2] Rotate Tool Changer Carousel Clockwise, [3] Tool Change Switch - Automatic Operation, [4] Tool Change Switch - Manual Operation Selection.



SMTC Door Operation

If the cage door is opened while a tool change is in progress, the tool change stops and resumes when the cage door is closed. Any machining operations in progress remain uninterrupted.

If the switch is turned to manual while a tool carousel is in motion, the tool carousel stops and resumes when the switch is turned back to automatic. The next tool change will not execute until the switch is turned back. Any machining operations that are in progress remain uninterrupted.

The carousel rotates one position whenever a clockwise or counter-clockwise button is pressed once, while the switch is set to manual.

During tool changer recovery, if the cage door is open or the Tool Change switch is in the manual position and **[RECOVER]** is pressed, a message is displayed telling the operator the door is open or is in manual mode. The operator must close the door and set the switch to the automatic position in order to continue.

4.14 Pallet Changer - Introduction

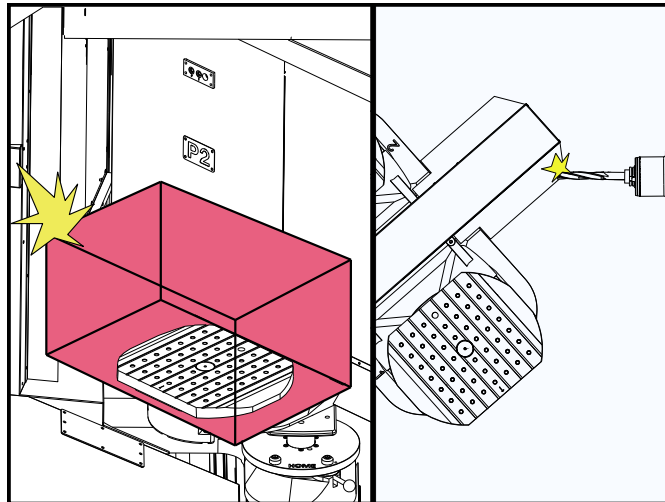
The pallet changer is commanded through a CNC program. The M50 (execute pallet change) function consists of unlocking, lifting and rotating the pallets, then lowering and locking the pallets again. The pallet changer rotates the pallets 180°, then back; it does not continuously rotate in the same direction.

The pallet changer is provided with an audible signaling device to alert nearby personnel when a pallet change is taking place. However, do not depend on the signal to avoid mishaps.

4.14.1 Pallet Changer Warnings and Cautions

- Large workpieces may collide into frame during a pallet change.
- Verify tool length clearance during pallet changes. Long tools may collide with workpiece or pallet changer wall.

F4.30: EC-400 Shown



4.14.2 Maximum Pallet Loads

EC-400 - Full 4th Axis - 1000lbs per pallet

4.14.3 Operator Load Station (EC-400)

To ease loading/unloading parts and to speed production pallet changing mills have an additional load area. The load station is guarded by a door, and a sub-panel that includes an E-stop and a button to control the pallet changer. As a safety precaution the load station door must be closed before a pallet change can occur.



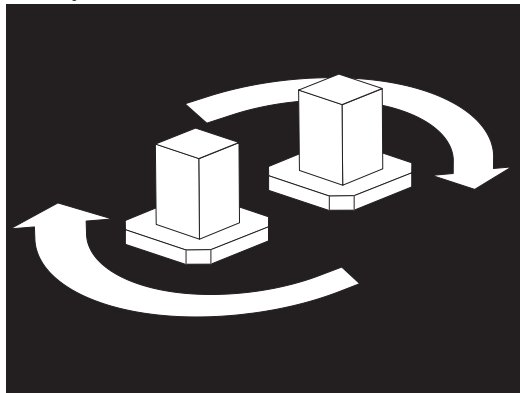
NOTE: *The load station pallet must be at home to do a pallet change.*

4.14.4 Sub-Panel Controls

Emergency Stop: The button behaves just like the one on the operator's pendant.

Part Ready: used to indicate the pallet is ready. It also contains a light that 1) blinks when the control is waiting for the operator or 2) is on when the operator is ready for a pallet change.

F4.31: Pallet Ready Button Symbol



4.14.5 Pallet Replacement

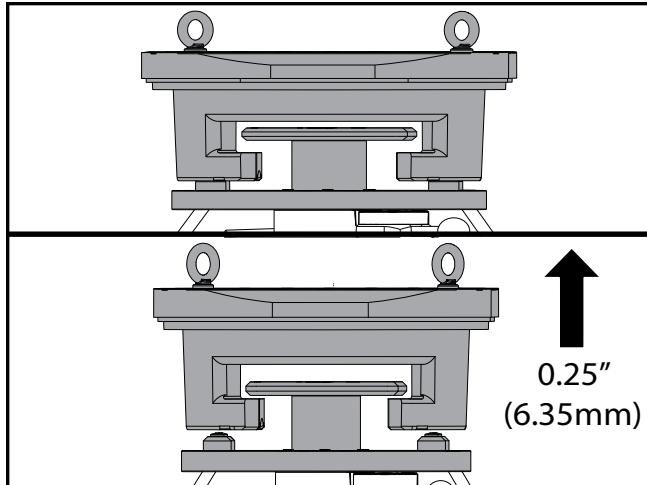
The pallets can be loaded into the mill through the load station. Note the orientation of the pallet; the pallet can only be loaded one way. The locating holes on the pallets are drilled on the rear of the pallet, lining up with the pins in the APC.



NOTE: *On 2 pallet machines the engraved arrow points towards the operator (out) when in the home position. On a pallet pool machine, the arrow points away from the operator (in).*

1. Orient the pallet 90 degrees from home in either direction.

2. Attach a suitable lifting device to the top of the fixture or use eye bolts threaded into the pallet holes.



3. Lift the pallet approximately 0.25" (6.35mm) to position it above the load station pins, but below the load station lock plate. Pull the pallet towards you until it has cleared the load station.

4.14.6 Pallet Storage

When removing the pallet, be sure to set it on a soft surface such as a wooden pallet. The bottom side of the pallet has machined surfaces that must be protected. Spray a light coat of oil on the top and bottom of the pallet to protect from rust.

4.14.7 Pallet Schedule Table

F4.32: Pallet Schedule Table - Display

Pallet Number	Shelf	Load Order	Pallet Status	Pallet Usage	Program Name	Program Comment
1	A	1	Scheduled	0		
2	B	2	Scheduled	0		
3	C	3	Scheduled	0		
4	D	4	Scheduled	0		
5	E	5	Scheduled	0		
6	F	6	Scheduled	0		
7	H	*	Loaded	1		

Program Path:
Comment:

ENTER Set Value
ALTER Load Pallet and Program
INSERT Run Loaded Pallet
F2 Schedule
F3 Put away Load Station pallet
F4 Get highlighted pallet

The Pallet Schedule Table incorporates a number of features to help the user with their routine.

Load Order and Pallet Status: These two features work together to show which pallet is currently in the machining area. Enter a number for the load order and press **[ENTER]** on the Pallet Status field to select the pallet status. The choices are: 0: Unscheduled, 1: Scheduled, 2: Missing and 3: Completed.

Comment: To add a user comment to a pallet, highlight the pallet number field and press **[ENTER]**. A box will appear, type in the desired comment and press **[ENTER]**.

Pallet Usage: This feature gives the number of times the specific pallet has been loaded into the machining area. Press **[ORIGIN]** button to clear the value.

Program Number: This detail shows which program number has been assigned to the pallet. To select a program, highlight the Program Name field then press **[ENTER]** and navigate to the program.

Program Comment: This area displays the comments that are written in the part program. This can only be changed by editing the comments in the program.

Command Prompts:

[ENTER] The function changes depending where the highlighter is located. It is used to enter a user comment, set a value in the field and to view options for the field.

[ALTER] Load Pallet and Program. This will load the selected pallet into the machine and call the assigned program to memory.

[INSERT] Run loaded program. This will start the machine running in Pallet Scheduler Mode. The machine will continue to run all scheduled pallets in the PST until they are completed. For more information on Pallet Scheduler Mode refer to M199 Pallet / Part Load or Program End in the M-code section.

[F2] Schedule Load Station pallet. This will set the status of the Load Station pallet to Scheduled.

[F3] Put away Load Station pallet. This will return the Load Station pallet to the pallet pool.

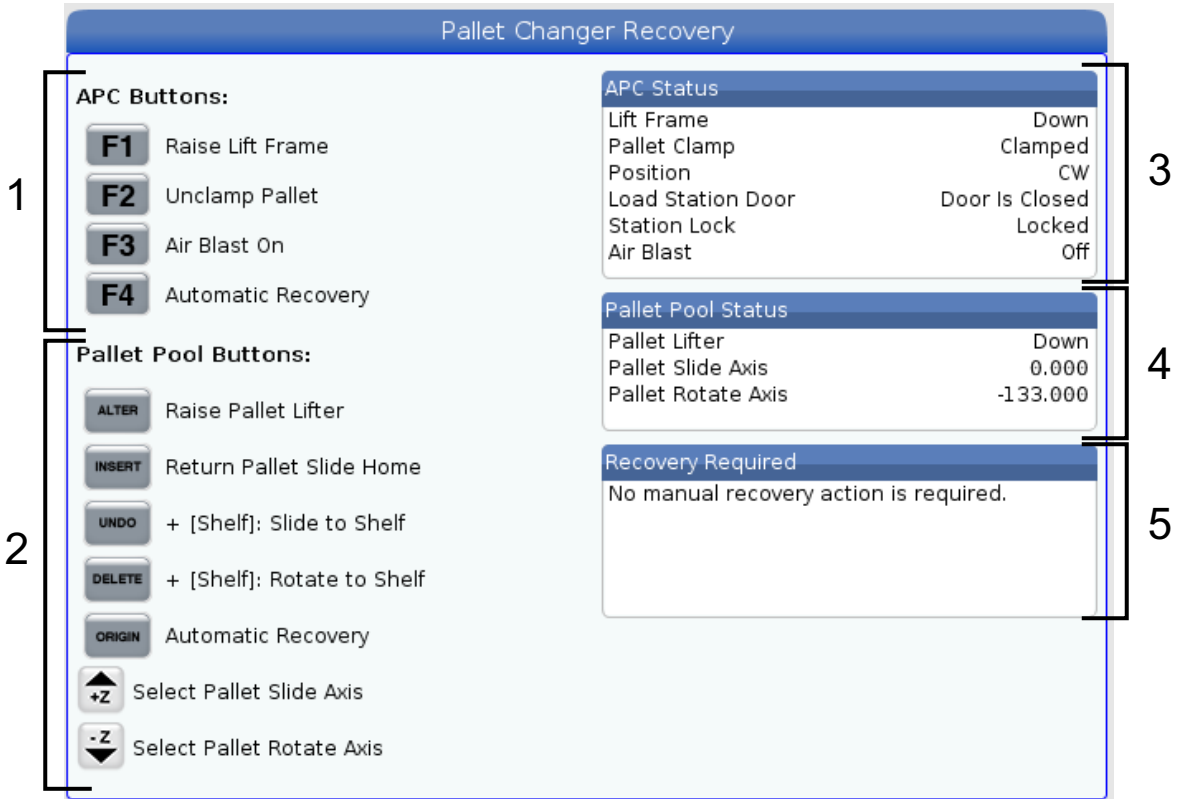
[F4] Get highlighted pallet. This will bring the selected pallet to the Load Station.

4.14.8 Pallet Pool/Changer Recovery

If the Pallet Pool or Pallet Changer cycles get interrupted you must enter **[RECOVER]** mode to correct or complete the cycle.

Press the **[RECOVER]** button and press 2 for Pallet Changer. The recovery page will display the input and output values.

F4.33: Pallet Changer Recovery Display: APC Functions [1], Pallet Pool Functions [2], APC status [3], Pallet Pool Status [4], Message Box [5].



Command Prompts:

[F1] APC Up. This will lift the pallet changer H-Frame if the pallet is not clamped.

[F2] Unclamp. This will unclamp the pallet in the machine from the receiver.

[F3] Air Blast. This will activate the air blast under the pallet to remove any chips or debris.

[F4] Attempt Auto Recovery. This will attempt to automatically correct or complete the pallet changer or pallet pool operation.

[ALTER] Raise Pallet Lifter. This will lift the pallet pool lifter assembly.

[INSERT] Return Pallet Slide Home. This will return the lifter to its home position.

[UNDO] Pallet Pool Slide to Shelf. This will slide the pallet pool lifter to the selected shelf location. Example: Press **[A]** then **[UNDO]** to slide the lifter to shelf position A.

[DELETE] Pallet Pool Rotate to Shelf. This will rotate the pallet pool lifter to the selected shelf location. Example: Press **[A]** then **[DELETE]** to rotate the lifter to shelf position A.

[ORIGIN] Attempt Auto Recovery. This will attempt to automatically correct or complete the pallet pool operation.

[+Z] Select Pallet Slide Axis. This will select the PS axis in handle jog mode.

[-Z] Select Pallet Rotate Axis. This will select the PR axis in handle jog mode.

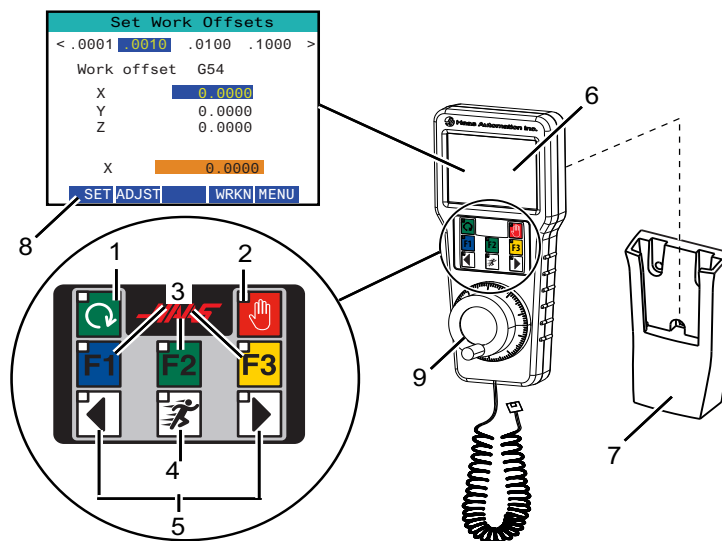
[Q] Ext to Pallet Schedule Table. This will take you out of the recovery mode and put you into the pallet schedule table screen.

4.15 RJH-Touch Overview

The Remote Jog Handle (RJH-Touch) is an optional accessory that gives you hand-held access to the control for faster and easier setups.

Your machine must have Next Generation Control software 100.19.000.1102 or higher to use all the RJH-Touch functions. The next sections explain how to operate the RJH-Touch.

F4.34: Remote Jog Handle [1] Cycle Start Key, [2] Feed Hold Key, [3] Function Keys, [4] Rapid Jog Key, [5] Jog Direction Keys, [6] Touch Screen, [7] Holster, [8] Function Tabs, [9] Handle Jog Wheel.



This illustration shows these components:

1. Cycle Start. Has the same function as **[CYCLE START]** on the control pendant.
2. Feed Hold. Has the same function as **[FEED HOLD]** on the control pendant.
3. Function Keys. These keys are for future use.

4. Rapid Jog button. This key doubles the jogging speed when pressed simultaneously with one of the jog direction buttons.
5. Jog Direction Keys. These keys work the same as keypad jog arrow keys. You can press and hold to jog the axis.
6. LCD Touch Screen Display.
7. Holster. To activate the RJH, lift it out of the holster. To deactivate the RJH, put it back into the holster.
8. Function Tabs. These tabs have different functions in different modes. Press the function tab that corresponds to the function you want to use.
9. Handle Jog Wheel. This Handle Jog works like the jog handle on the control pendant. Each click of the handle jog moves the selected axis one unit of the selected jog rate.

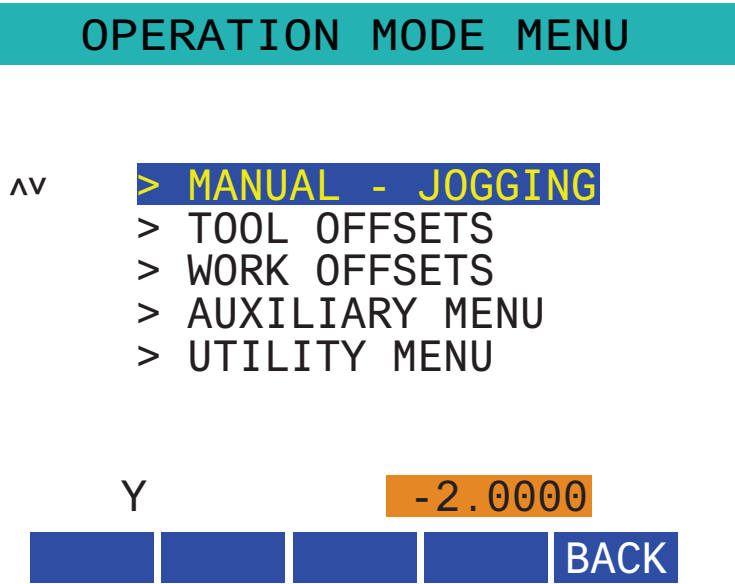
Most RJH functions are available in Handle Jog mode. In other modes, the RJH screen displays information about the active or MDI program.

4.15.1 RJH-Touch Operation Mode Menu

The operation mode menu lets you quickly select the RJH mode. When you select a mode on the RJH, the control pendant also changes to that mode.

Press the **[MENU]** function key in most RJH modes to access this menu.

F4.35: RJH-Touch Operation Mode Menu Example



The menu options are:

- **MANUAL - JOGGING** puts the RJH and the machine control in **HANDLE JOG** mode.
- **TOOL OFFSETS** puts the RJH and the machine control in **TOOL OFFSET** mode.
- **WORK OFFSETS** puts the RJH and the machine control in **WORK OFFSETS** mode.

- **AUXILIARY MENU** brings up the Auxiliary Menu for the RJH.

**NOTE:**

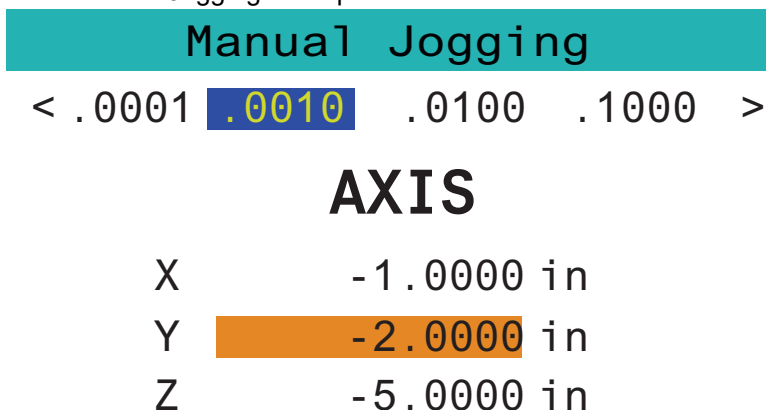
The flash light feature is not available with the RJH-Touch.

- **UTILITY MENU** brings up the Utility Menu for the RJH. This menu contains only diagnostic information.

4.15.2 RJH-Touch Manual Jogging

The manual jogging screen on the RJH allows you to select the axis and jog rate.

F4.36: RJH-Touch Manual Jogging Example.



WORK TO GO MACH OPER MENU

- Press **[MENU]** on the screen.
- Press **Manual Jogging** on the screen.
- Press the .0001, .0010, .0100, or .1000 on the screen to change the jog rate.
- Press the axis position on the screen or press **[F1]/ [F3]** on the RJH to change the axis.
- Turn the handle jog wheel to jog the axis.
- Press **[WORK]** on the screen to show the Program positions.
- Press **[TO GO]** on the screen to show the Distance to go positions.
- Press **[MACH]** on the screen to show the Machine position.
- Press **[OPER]** on the screen to display the Operator position.

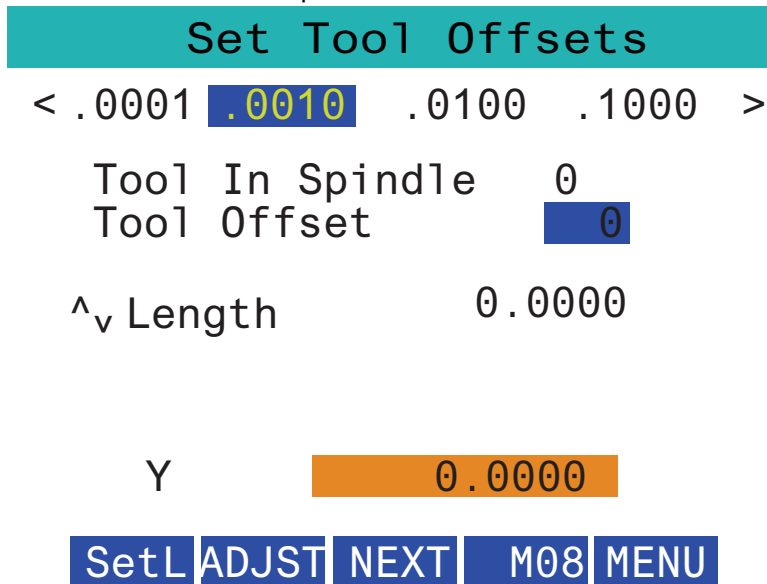
4.15.3 Tool Offsets with RJH-Touch

This section describes the controls you use on the RJH to set tool offsets.

For more information about the process of setting tool offsets, refer to page **169**.

To access this function on the RJH, press **[OFFSET]** on the control pendant and select the **Tool Offsets** page, or select **TOOL OFFSETS** from the RJH operation mode menu (refer to page **160**).

F4.37: RJH Tool Offsets Screen Example



- Press the .0001, .0010, .0100, or .1000 on the screen to change the jog rate.
- Press the axis position on the screen or press **[F1]/ [F3]** on the RJH to change the axis.
- Press the **[NEXT]** on the screen to change to the next tool.
- To change the tool offset, highlight the **TOOL OFFSET** field and use the handle to change the value.
- Use the jog handle to jog the tool to the desired position. Press the **[SETL]** function key to record the tool length.
- To adjust the tool length, for example, if you want to subtract from the tool length the thickness of the paper you used to touch off the tool:
 - a) Press the **[ADJST]** button on the screen.
 - b) Use the handle jog to change the value (positive or negative) to add to the tool length.
 - c) Press the **[ENTER]** button on the screen.

- If your machine has the Programmable Coolant option, you can adjust the spigot position for the tool. Highlight the **COOLANT POS** field and use the handle jog to change the value. You can use the **[M08]** button on the screen to turn on the coolant and test the spigot position. Press the button on the screen again to turn off the coolant.

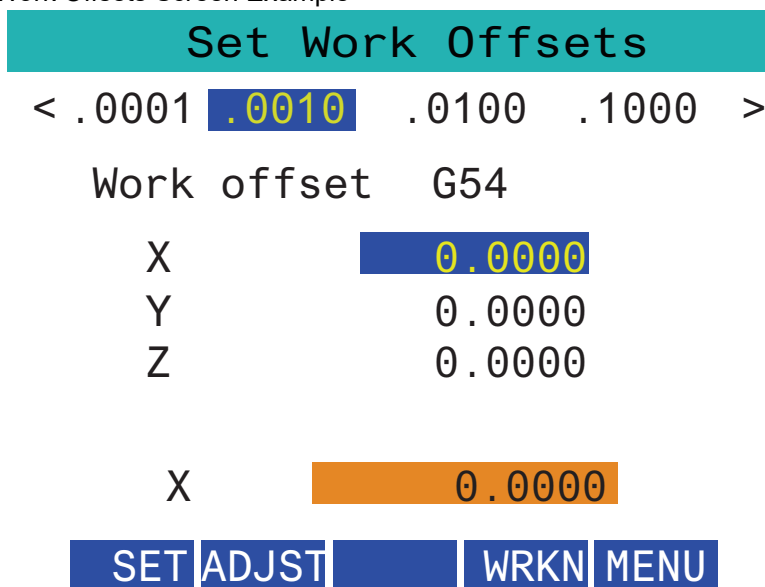
4.15.4 Work Offsets with the RJH-Touch

This section describes the controls you use on the RJH-Touch to set work offsets.

For more information about the process of setting work offsets, refer to page **171**

To access this function on the RJH-Touch, press **[OFFSET]** on the control pendant and select the **Work Offsets** page, or select **WORK OFFSETS** from the RJH operation mode menu (refer to page **160**).

F4.38: RJH Work Offsets Screen Example



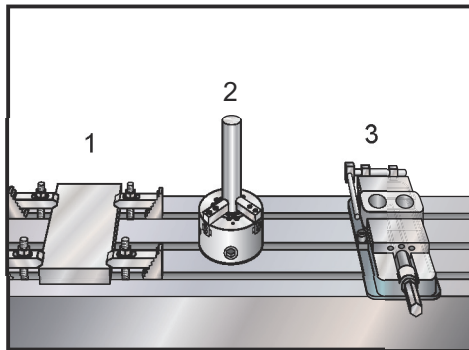
- Press the .0001, .0010, .0100, or .1000 on the screen to change the jog rate.
- Press the axis position on the screen or press **[F1]/ [F3]** on the RJH to change the axis.
- To change the work offset number, press the **[WORKN]** button on the screen and use the handle jog knob to select a new offset number. Press the **[ENTER]** button on the screen to set the new offset.
- To move the axes use the handle jog wheel.
- When you reach the offset position in an axis, press the **[SET]** button on the screen to record the offset position.

- To adjust an offset value:
 - a) Press the **[ADJST]** function key.
 - b) Use the pulse knob to change the value (positive or negative) to add to the offset.
 - c) Press the **[ENTER]** function key.

4.16 Part Setup

Correct workholding is very important for safety, and to get the machining results that you want. There are many workholding options for different applications. Contact your HFO or workholding dealer for guidance.

F4.39: Part Setup Examples: [1] Toe clamp, [2] Chuck, [3] Vise.



4.16.1 Jog Mode

Jog mode lets you jog the machine axes to a desired location. Before you can jog an axis, the machine must establish its home position. The control does this at machine power-up.

To enter jog mode:

1. Press **[HANDLE JOG]**.
2. Press the desired axis (**[+X]**, **[-X]**, **[+Y]**, **[-Y]**, **[+Z]**, **[-Z]**, **[+A/C]** or **[-A/C]**, **[+B]**, or **[-B]**).
3. There are different increment speeds that can be used while in jog mode; they are **[.0001]**, **[.001]**, **[.01]** and **[.1]**. Each click of the jog handle moves the axis the distance defined by the current jog rate. You can also use an optional Remote Jog Handle (RJH) to jog the axes.
4. Press and hold the handle jog buttons or use the jog handle control to move the axis.

4.16.2 Setting Offsets

To machine a part accurately, the mill needs to know where the part is located on the table and the distance from the tip of the tools to the top of the part (tool offset from home position).

Tool Offsets

Press the **[OFFSET]** button to view the tool offset values. The tool offsets can be entered manually or automatically with a probe. The list below will show how each offset setting works.

F4.40: Tool Offset Display

The screenshot displays the 'Offsets' screen with the following data:

Tool Offset	Length Geometry(H)	Length Wear(H)	Diameter Geometry(D)	Diameter Wear(D)	Coolant Position
1 Spindle	0.	0.	0.	0.	2
2	0.	0.	0.	0.	2
3	0.	0.	0.	0.	2
4	0.	0.	0.	0.	2
5	0.	0.	0.	0.	2
6	0.	0.	0.	0.	2
7	0.	0.	0.	0.	2
8	0.	0.	0.	0.	2
9	0.	0.	0.	0.	2
10	0.	0.	0.	0.	2
11	0.	0.	0.	0.	2
12	0.	0.	0.	0.	2
13	0.	0.	0.	0.	2
14	0.	0.	0.	0.	2
15	0.	0.	0.	0.	2
16	0.	0.	0.	0.	2
17	0.	0.	0.	0.	2
18	0.	0.	0.	0.	2

At the bottom of the screen, the control bar includes the following elements:

- Text: Enter A Value
- Buttons: **TOOL OFFSET MEAS**, **F1 Set Value**, **ENTER Add To Value**, **F4 Work Offset**

1. Active Tool: - This tells you which tool is in the spindle.
2. Tool Offset (T) - This is the list of tool offsets. There is a maximum of 200 tool offsets available.
3. Length Geometry (H), Length Wear (H) - These two columns are tied to the G43 (H) values in the program. If you command a

```
G43 H01;
```

from within a program for tool #1, the program will use the values from these columns.



NOTE:

The Length Geometry can be set manually or automatically by the probe.

- Diameter Geometry (D), Diameter Wear (D) - These two columns are used for cutter compensation. If you command a
`G41 D01;`
 from within a program, the program will use the values from these columns.



NOTE:

The Diameter Geometry can be set manually or automatically by the probe.

- Coolant Position - Use this column for setting the coolant position for the tool in this row.



NOTE:

This column will only show if you have the Programmable Coolant option.

- These functions buttons allow you to set the offset values.

F4.41: Tool Offsets Display Continued. Press the **[RIGHT]** arrow key to display this page.

Offsets

Tool Work **7** **8** **9** **10** **11** **12**

Active Tool: 1

Tool Offset	Flutes	Actual Diameter	Tool Type	Tool Material	Tool Pocket	Category
1 Spindle	0	0.	None	User	Spindle	
2	0	0.	None	User	1	*
3	0	0.	None	User	2	
4	0	0.	None	User	3	
5	0	0.	None	User	4	
6	0	0.	None	User	5	
7	0	0.	None	User	6	
8	0	0.	None	User	7	
9	0	0.	None	User	8	
10	0	0.	None	User	9	
11	0	0.	None	User	10	
12	0	0.	None	User	11	
13	0	0.	None	User	12	
14	0	0.	None	User	13	
15	0	0.	None	User	14	
16	0	0.	None	User	15	
17	0	0.	None	User	16	
18	0	0.	None	User	17	

Enter A Value

TOOL OFFSET MEAS

Tool Offset Measure

F1

Set Value

ENTER

Add To Value

F4

Work Offset

7. Flutes - When this column is set to the correct value, the control can calculate the correct Chip Load value displayed at the Main Spindle screen. The VPS feeds and speeds library will also use these values for calculations.

**NOTE:**

The values set on the Flute column will not affect the operation of the probe.

8. Actual Diameter - This column is used by the control to calculate the correct Surface Speed value displayed at the Main Spindle screen.
9. Tool Type - This column is used by the control to decide which probe cycle to use to probe this tool. Press **[F1]** to view the options: None, Drill, Tap, Shell Mill, End Mill, Spot Drill, Ball Nose and Probe. When this field is set to Drill, Tap, Spot Drill, Ball Nose and Probe, the probe will probe along the tool centerline for the length. When this field is set to Shell Mill or End Mill the probe will probe at the tools edge.
10. Tool Material - This column is used for calculations by the VPS feeds and speeds library. Press **[F1]** to view the options: User, Carbide, Steel. Press **[ENTER]** to set the material, or press **[CANCEL]** to exit.
11. Tool Pocket - This column shows you what pocket the tool is currently in. This column is read only.
12. Tool Category - This column shows if the tool is set up as large, heavy or extra large. To make a change, highlight the column and press **[ENTER]**. The Tool Table will be displayed. Follow the instructions on the screen to make tool table changes.

F4.42: Tool Offsets Display Continued. Press the **[RIGHT]** arrow key to display this page. The values in this page are used by the probe.

Offsets

Tool Work **13** **14** **15** **16** **17**

Active Tool: 1 Coolant Position: 1

Tool Offset	Approximate Length	Approximate Diameter	Edge Measure Height	Tool Tolerance	Probe Type
1 Spindle	0.	0.	0.	0.	None
2	0.	0.	0.	0.	None
3	0.	0.	0.	0.	None
4	0.	0.	0.	0.	None
5	0.	0.	0.	0.	None
6	0.	0.	0.	0.	None
7	0.	0.	0.	0.	None
8	0.	0.	0.	0.	None
9	0.	0.	0.	0.	None
10	0.	0.	0.	0.	None
11	0.	0.	0.	0.	None
12	0.	0.	0.	0.	None
13	0.	0.	0.	0.	None
14	0.	0.	0.	0.	None
15	0.	0.	0.	0.	None
16	0.	0.	0.	0.	None
17	0.	0.	0.	0.	None
18	0.	0.	0.	0.	None

Enter A Value

TOOL OFFSET MEAS

Automatic Probe Options

F1

Set Value

ENTER

Add To Value

F4

Work Offset

13. Approximate Length - This column is used by the probe. The value in this field tells the probe the distance from the tip of the tool to the spindle gauge line.



NOTE:

If you probe the length of a drill or a tap, or some tool that is not a shell mill or an end mill you can leave this field blank.

14. Approximate Diameter - This column is used by the probe. The value in this field tells the probe the diameter of the tool.
15. Edge Measure Height - This column is used by the probe. The value in this field is the distance below the tip of the tool that the tool needs to move, when the tool diameter is probed. Use this setting when you have a tool with a large radius or when you are probing a diameter on a chamfer tool.
16. Tool Tolerance - This column is used by the probe. The value in this field is used for checking tool breakage and wear detection. Leave this field blank if you are setting the length and diameter on the tool.

17. Probe Type - This column is used by the probe. You can select the probe routine you want to perform on this tool.
The choices are: 0 - No tool probing to be performed., 1- Length probing (Rotating)., 2 - Length probing (Non-Rotating)., 3 - Length and Diameter probing (Rotating).
Press **[TOOL OFFSET MEASURE]** to set automatic probe options.

Set a Tool Offset

The next step is to touch off the tools. This defines the distance from the tip of the tool to the top of the part. Another name for this is Tool Length Offset, which is designated as H in a line of machine code. The distance for each tool is entered into the **TOOL OFFSET** table.

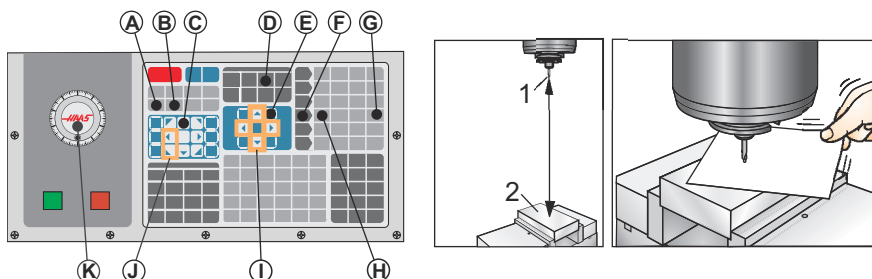


NOTE:

When touching off tools or working on the stationary table, make sure the tilt axis is at 0 degrees ($A0^\circ$ or $B0^\circ$).

F4.43:

Setting Tool Offset. With the Z Axis at its home position, Tool Length Offset is measured from the tip of the tool [1] to the top of the part [2].



1. Load the tool in the spindle [1].
2. Press **[HANDLE JOG]** [F].
3. Press **[.1/100.]** [G] (The mill moves at a fast rate when the handle is turned).
4. Select between the X and Y axes [J], and with the use the jog handle [K] to move the tool near the center of the part.
5. Press **[+Z]** [C].
6. Jog the Z Axis approximately 1" above the part.
7. Press **[.0001/.1]** [H] (The mill moves at a slow rate when the handle is turned).
8. Place a sheet of paper between the tool and the work piece. Carefully move the tool down to the top of the part, as close as possible, and still be able to move the paper.
9. Press **[OFFSET]** [D] and select the **TOOL** tab.
10. Highlight the **H (length) Geometry** value for position #1.
11. Press **[TOOL OFFSET MEASURE]** [A]. A pop box may appear if the change is Greater Than Setting 142! Accept (Y/N). Press **[Y]** to accept.



CAUTION: The next step causes the spindle to move rapidly in the Z Axis.

12. Press **[NEXT TOOL]** [B].
13. Repeat the offset process for each tool.

Work Offsets

Press the **[OFFSET]**, then the **[F4]** to view the work offset values. The work offsets can be entered manually or automatically with a probe. The list below will shows how each work offset setting works.

F4.44: Work Offsets Display

G Code	X Axis	Y Axis	Z Axis	Work Material
G52	0.	0.	0.	No Material Selected
G54	0.	0.	0.	No Material Selected
G55	0.	0.	0.	No Material Selected
G56	0.	0.	0.	No Material Selected
G57	0.	0.	0.	No Material Selected
G58	0.	0.	0.	No Material Selected
G59	0.	0.	0.	No Material Selected
G154 P1	0.	0.	0.	No Material Selected
G154 P2	0.	0.	0.	No Material Selected
G154 P3	0.	0.	0.	No Material Selected
G154 P4	0.	0.	0.	No Material Selected
G154 P5	0.	0.	0.	No Material Selected
G154 P6	0.	0.	0.	No Material Selected
G154 P7	0.	0.	0.	No Material Selected
G154 P8	0.	0.	0.	No Material Selected
G154 P9	0.	0.	0.	No Material Selected
G154 P10	0.	0.	0.	No Material Selected
G154 P11	0.	0.	0.	No Material Selected

F1 To view options. **F3** Probing Actions **F4** Tool Offsets
 Enter A Value **ENTER** Add To Value

1. G Code - This column displays all the available work offset G-codes. For more information on these work offsets See “G52 Set Work Coordinate System (Group 00 or 12)” on page 343., See “G54-G59 Select Work Coordinate System #1 - #6 (Group

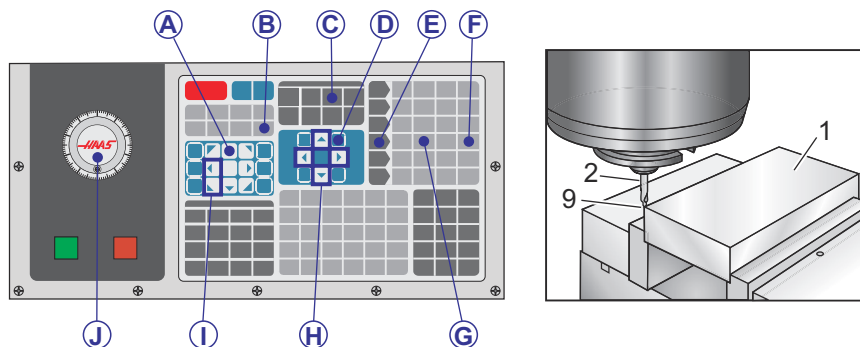
12)" on page 343., See "G92 Set Work Coordinate Systems Shift Value (Group 00)" on page 367.

2. X, Y, Z, Axis - This column displays the work offset value for each axis. If rotary axis are enabled the offsets for these will be displayed on this page.
3. Work Material - This column is used by the VPS feeds and speeds library.
4. These functions buttons allow you to set the offset values. Type in the desired work offset value and press **[F1]** to set the value. Press **[F3]** to set a probing action. Press **[F4]** to toggle from work to tool offset tab. Type in a value and press **[ENTER]** to add to the current value.

Set a Work Offset

To machine a workpiece, the mill needs to know where the workpiece is located on the table. You can use an edge finder, an electronic probe, or many other tools and methods to establish part zero. To set the part zero offset with a mechanical pointer:

F4.45: Part Zero Set



1. Place the material [1] in the vise and tighten.
2. Load a pointer tool [2] in the spindle.
3. Press **[HANDLE JOG] [E]**.
4. Press **[.1/100.] [F]** (The mill moves at a fast speed when the handle is turned).
5. Press **[+Z] [A]**.
6. Use the jog handle [J] to move the Z-Axis approximately 1" above the part.
7. Press **[.001/1.] [G]** (The mill moves at a slow speed when the handle is turned).
8. Jog the Z-Axis approximately. 0.2" above the part.
9. Select between the X and Y axes [I] and jog the tool to the upper left corner of the part (see illustration [9]).
10. Navigate to the **[OFFSET]>WORK [C]** tab and press the **[DOWN]** cursor key [H] to activate the page. You can press **[F4]** to toggle between Tool offsets and Work offsets.
11. Navigate to the **G54 X Axis** location.



CAUTION:

*In the next step, do not press **[PART ZERO SET]** a third time; this loads a value into the **Z AXIS** column. This causes a crash or a Z-Axis alarm when the program is run.*

12. Press **[PART ZERO SET]** [B] to load the value into the **X Axis** column. The second press of **[PART ZERO SET]** [B] loads the value into the **Y Axis** column.

4.17 Run-Stop-Jog-Continue

This feature lets you stop a running program, jog away from the part, and then start the program again.

1. Press **[FEED HOLD]**.
Axis motion stops. The spindle continues to turn.
2. Press **[X]**, **[Y]**, **[Z]**, or an installed Rotary Axis (**[A]** for A Axis, **[B]** for B Axis, and **[C]** for C Axis), then press **[HANDLE JOG]**. The control stores the current X, Y, Z, and rotary axes positions.
3. The control gives the message *Jog Away* and displays the Jog Away icon. Use the jog handle or jog keys to move the tool away from the part. You can start or stop the spindle with **[FWD]**, **[REV]**, or **[STOP]**. You can command optional Through Spindle Coolant on and off with the **[AUX CLNT]** key (you must stop the spindle first). Command optional Through Tool Air Blast on and off with **[SHIFT] + [AUX CLNT]** keys. Command Coolant on and off with the **[COOLANT]** key. Command the Auto Air Gun / Minimum Quantity Lubrication options with **[SHIFT] + [COOLANT]** keys. You can also release the tool to change inserts.



CAUTION:

When you start the program again, the control uses the previous offsets for the return position. Therefore, it is unsafe and not recommended to change tools and offsets when you interrupt a program.

4. Jog to a position as close as possible to the stored position, or to a position where there is an unobstructed rapid path back to the stored position.
5. Press **[MEMORY]** or **[MDI]** to return to run mode. The control gives the message **Jog Return** and displays the Jog Return icon. The control continues only if you return to the mode that was in effect when you stopped the program.
6. Press **[CYCLE START]**. The control rapids X, Y, and rotary axes at 5% to the position where you pressed **[FEED HOLD]**. It then returns the Z Axis. If you press **[FEED HOLD]** during this motion, axis motion pauses and the control gives the message *Jog Return Hold*. Press **[CYCLE START]** to resume the Jog Return motion. The control goes into a feed hold state again when the motion is finished.



CAUTION: *The control does not follow the same path that you used to jog away.*

7. Press **[CYCLE START]** again and the program resumes operation.

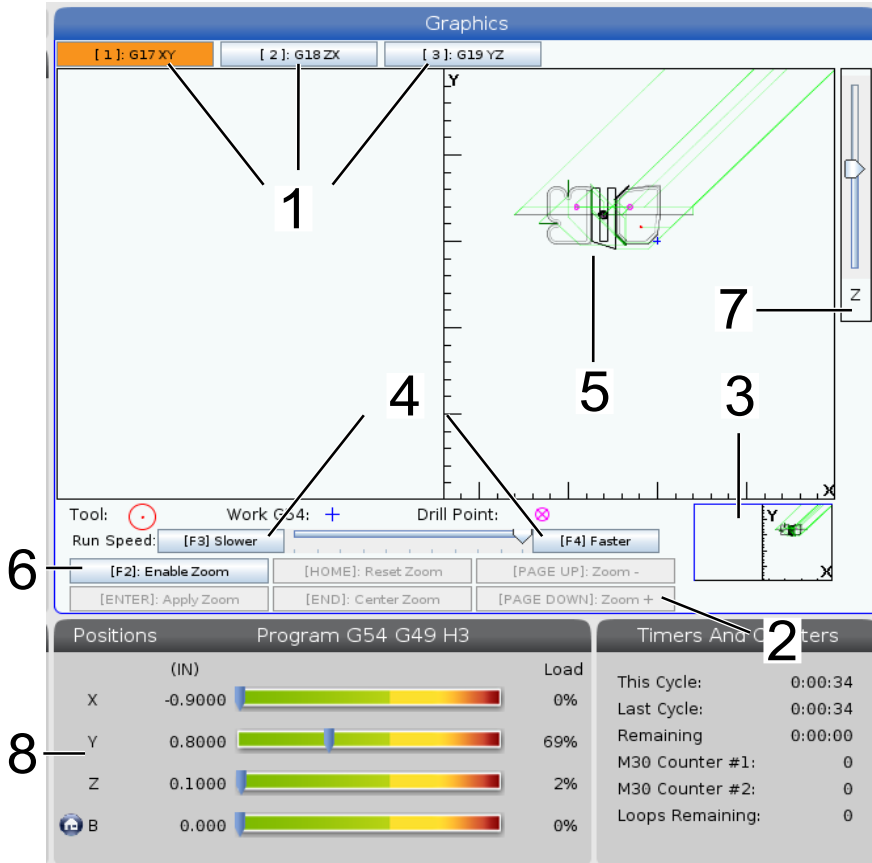


CAUTION: *If Setting 36 is ON, the control scans the program to make sure the machine is in the correct state (tools, offsets, G- and M-codes, etc.) to safely continue the program. If Setting 36 is OFF, the control does not scan the program. This can save time, but it could cause a crash in an unproven program.*

4.18 Graphics Mode

A safe way to troubleshoot a program is to press **[GRAPHICS]** to run it in graphics mode. No movement occurs on the machine, instead the movement is illustrated on the screen.

F4.46: Graphics Mode Display



- 1. Axis Planes** Press **[1]** to view the graphics in G17 plane, press **[2]** for G18 plane or press **[3]** to view in G19 plane.
- 2. Key Help Area** The lower-left part of the graphics display pane is the function key help area. This area shows you the function keys that you can use, and a description of what they do.
- 3. Locator Window** The lower-right part of the pane displays the simulated machine table area, and it shows where the simulated view is zoomed and focused.
- 4. Graphics Speed** Press **[F3]** or **[F4]** to run the desired graphics speed.
- 5. Tool Path Window** The large window in the center of the display gives a simulated view of the work area. It displays a cutting tool icon and simulated tool paths.

**NOTE:**

Feed motion appears as a black line. Rapid moves appear as a green line. Drill cycle locations appear with an X.

**NOTE:**

*If Setting 253 is **ON**, the tool diameter is shown as a thin line. If it is **OFF**, the tool diameter specified in the Tool Offsets Diameter Geometry table is used.*

6. **Zoom** Press **[F2]** to display a rectangle (zoom window) that shows the area that the zoom operation will move to. Use **[PAGE DOWN]** to decrease the size of the zoom window (zoom in), and use **[PAGE UP]** to increase the size of the zoom window (zoom out). Use the cursor arrow keys to move the zoom window to the location you want to zoom, and press **[ENTER]** to complete the zoom. The control scales the tool path window to the zoom window. Run the program again to display the tool path. Press **[F2]** and then **[HOME]** to expand the Tool Path window to cover the entire work area.
7. **Z-Axis Part Zero Line** The horizontal line on the Z-Axis bar at the top-right corner of the graphics screen gives the position of the current Z-axis work offset plus the length of the current tool. While a program simulation runs, the shaded portion of the bar indicates the depth of the simulated Z-Axis motion relative to the Z-Axis work zero position.
8. **Position Pane** The position pane displays axis locations just as it would during a live part run.

To run a program in graphics mode:

1. Press **[GRAPHICS]**.
2. Press **[CYCLE START]**.

**NOTE:**

Graphics mode does not simulate all machine functions or motions.

4.19 More Information Online

For updated information, including tips, tricks, maintenance procedures, and more, visit the Haas Service page at www.HaasCNC.com.

For the most current Operator's and Service Manuals scan the code below with your mobile device:



Chapter 5: Programming

5.1 Create / Select Programs for Editing

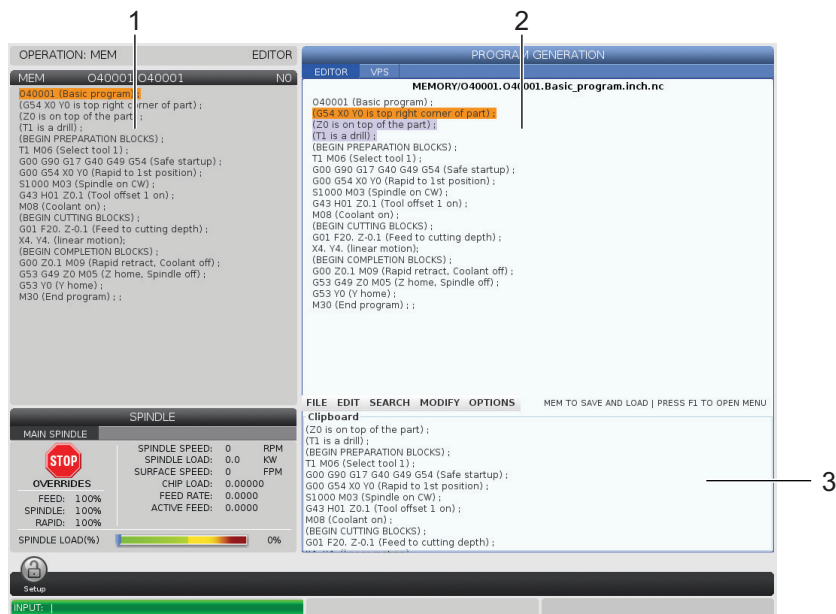
You use the Device Manager ([LIST PROGRAM]) to create and select programs for editing. Refer to page 107 to create a new program. Refer to page 109 to choose an existing program to edit.

5.2 Program Edit Modes

The Haas control has (2) program edit modes: The program editor or manual data input (MDI). You use the program editor to make changes to numbered programs stored in an attached memory device (machine memory, USB, or net share). You use MDI mode to command the machine without a formal program.

The Haas control screen has (2) program edit panes: The Active Program / MDI pane, and the Program Generation pane. The Active Program / MDI pane is on the left side of the screen in all display modes. The Program Generation pane appears only in **EDIT** mode.

F5.1: Example Edit Panes. [1] Active Program / MDI Pane, [2] Program Edit Pane, [3] Clipboard Pane



5.2.1 Basic Program Editing

This section describes the basic program editing functions. These functions are available when you edit a program.

1. To write a program, or make changes to a program:
 - a. To edit a program in MDI, press **[MDI]**. This is **EDIT:MDI** mode. The program is displayed on the Active pane.
 - b. To edit a numbered program, select it in the Device Manager (**[LIST PROGRAM]**), then press **[EDIT]**. This is **EDIT:EDIT** mode. The program is displayed in the Program Generation pane.
2. To highlight code:
 - a. Use the cursor arrow keys or the jog handle to move the highlight cursor through the program.
 - b. You can interact with single pieces of code or text (cursor highlighting), blocks of code, or multiple blocks of code (block selection). Refer to the Block Selection section for more information.
3. To add code to the program:
 - a. Highlight the code block you want the new code to follow.
 - b. Type the new code.
 - c. Press **[INSERT]**. Your new code appears after the block you highlighted.
4. To replace code:
 - a. Highlight the code you want to replace.
 - b. Type the code you want to replace the highlighted code with.
 - c. Press **[ALTER]**. Your new code takes the place of the code you highlighted.
5. To remove characters or commands:
 - a. Highlight the text you want to delete.
 - b. Press **[DELETE]**. The text that you highlighted is removed from the program.
6. Press **[UNDO]** to reverse up to the last (40) changes.



NOTE:

*You cannot use **[UNDO]** to reverse changes that you made if you exit **EDIT:EDIT** mode.*



NOTE:

*In **EDIT:EDIT** mode, the control does not save the program as you edit. Press **[MEMORY]** to save the program and load it into the Active Program pane.*

Block Selection

When you edit a program, you can select single or multiple blocks of code. You can then copy and paste, delete, or move those blocks in one step.

To select a block:

1. Use the cursor arrow keys to move the highlight cursor to the first or last block in your selection.

**NOTE:**

You can start a selection at the top block or the bottom block, and then move up or down as appropriate to complete your selection.

**NOTE:**

You cannot include the program name block in your selection. The control gives the message `GUARDED CODE`.

2. Press **[F2]** to start your selection.
3. Use the cursor arrow keys or the jog handle to expand the selection.
4. Press **[F2]** to complete the selection.

Actions with a Block Selection

After you make a text selection, you can copy and paste it, move it, or delete it.

**NOTE:**

These instructions assume you have already made a block selection as described in the Block Selection section.

**NOTE:**

*These are actions available in MDI and the Program Editor. You cannot use **[UNDO]** to reverse these actions.*

1. To copy and paste the selection:
 - a. Move the cursor to the location where you want to put a copy of the text.
 - b. Press **[ENTER]**.

The control puts a copy of the selection on the next line after the cursor location.

**NOTE:**

The control does not copy the text to the clipboard when you use this function.

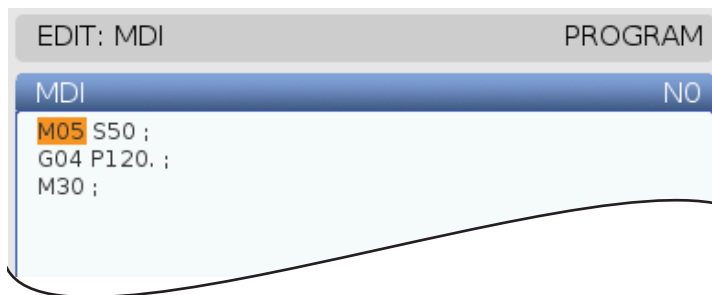
2. To move the selection:
 - a. Move the cursor to the location where you want to move the text.
 - b. Press **[ALTER]**.

The control removes the text from its current location and puts it in the line after the current line.

3. Press **[DELETE]** to delete the selection.

5.2.2 Manual Data Input (MDI)

Manual Data Input (MDI) lets you command automatic CNC moves without a formal program. Your input stays on the MDI input page until you delete it.

F5.2: MDI Input Page Example

1. Press **[MDI]** to enter **MDI** mode.
2. Type your program commands in the window. Press **[CYCLE START]** to execute the commands.
3. If you want to save the program you created in MDI as a numbered program:
 - a. Press **[HOME]** to put the cursor at the beginning of the program.
 - b. Type a new program number. Program numbers must follow the standard program number format (O`nnnnn`).
 - c. Press **[ALTER]**.
 - d. In the RENAME pop-up window, you can type a filename and file title for the program. Only the O number is required.
 - e. Press **[ENTER]** to save the program to memory.
4. Press **[ERASE PROGRAM]** to delete everything from the MDI input page.

5.2.3 Background Edit

Background edit lets you edit a program while a program runs. If you edit the active program, background edit creates a copy of the program until you overwrite the active program, save the edited program as a new program, or discard the program. The changes you make do not affect the program while it runs.

Background edit notes:

- Press **[PROGRAM]** or **[MEMORY]** to exit background edit.
 - You cannot use **[CYCLE START]** during a background edit session. If the running program contains a programmed stop, you must exit background edit before you can use **[CYCLE START]** to continue the program.
1. To edit the active program, press **[EDIT]** while the program runs.
A copy of the active program appears in the **PROGRAM GENERATION** pane on the right-hand side of the screen.
 2. To edit a different program while the active program runs:
 - a. Press **[LIST PROGRAM]**.
 - b. Select the program that you want to edit.
 - c. Press **[ALTER]**.

The program appears in the **PROGRAM GENERATION** pane on the right-hand side of the screen.

3. Edit the program.
4. The changes that you make to the active program do not affect the program while it runs.
5. If you background edit the active program, after the program finishes running, when you attempt to leave the screen, a popup gives the option to overwrite the program or discard your changes.
 - Pick the first item, Overwrite After End of Program, in the popup and press **[ENTER]** to overwrite the active program with your changes.
 - Pick the second item, Discard Changes, in the popup and press **[ENTER]** to discard all of your changes.

5.2.4 Program Editor

The Program Editor is a full-featured editing environment with access to powerful functions in an easy-to-use pull-down menu. You use the Program Editor for normal editing.

Press **[EDIT]** to enter edit mode and use the Program Editor.

F5.3: Example Program Editor Screen. [1] Main Program Display, [2] Menu Bar, [3] Clipboard



Program Editor Pull-Down Menu

The Program Editor uses a pull-down menu to give you easy access to editor functions in (5) categories: **F**ile, **E**dit, **S**earch, and **M**odify. This section describes the categories and the choices you can make when you select them.

To use the pull-down menu:

1. Press **[EDIT]** to start the Program Editor.
2. Press **[F1]** to access the pull-down menu.

The menu opens for the last category you used. If you have not yet used the pull-down menu, the **F**ile menu opens by default.

3. Use the **[LEFT]** and **[RIGHT]** cursor arrow keys to highlight a category. When you highlight a category, the menu appears below the category name.

4. Use the **[UP]** and **[DOWN]** cursor arrow keys to select an option inside of the current category.
5. Press **[ENTER]** to execute the command.

Some menu commands require further input or confirmation. In these cases, an input window or confirmation pop-up appears on the screen. Type your input in the field(s) where applicable, and then press **[ENTER]** to confirm the action or **[UNDO]** to close the popup and cancel the action.

File Menu

The **F**ile menu has these options:

- **New**: Creates a new program. In the pop-up menu fields, type an O number (required), a filename (optional), and a file title (optional). For more information about this menu, refer to “Create a New Program” in the Operation section of this manual.
- **Set To Run**: Saves the program and puts it in the active program pane on the left-hand side of the screen. You can also press **[MEMORY]** to use this function.
- **Save**: Saves the program. The program’s filename and path change from red to black to show that the changes are saved.
- **Save As**: You can save the file under any filename. The program’s new filename and path will change from red to black to show that the changes are saved.
- **Discard Changes**: Reverts any changes you’ve made since the file was last saved.

Edit Menu

The **E**dit menu has these options:

- **Undo**: Reverses the last edit operation, up to the last (40) edit operations. You can also press **[UNDO]** to use this function.
- **Redo**: Reverses the last undo operation, up to the last (40) undo operations.
- **Cut Selection To Clipboard**: Removes the selected lines of code from the program and puts them in the clipboard. Refer to “Block Selection” to learn how to make a selection.
- **Copy Selection To Clipboard**: Puts the selected lines of code in the clipboard. This operation does not remove the original selection from the program.
- **Paste From Clipboard**: Puts a copy of the clipboard contents below the current line. This does not remove the clipboard contents.
- **Insert File Path (M98)**: Lets you select a file from a directory and creates the path with the M98.
- **Insert Media File (M130)**: Lets you select a media file from a directory and creates the path with the M130.
- **Insert Media File (\$FILE)**: Lets you select a media file from a directory and creates the path with the \$FILE tag.
- **Special Symbols**: Inserts a special symbol.

Search Menu

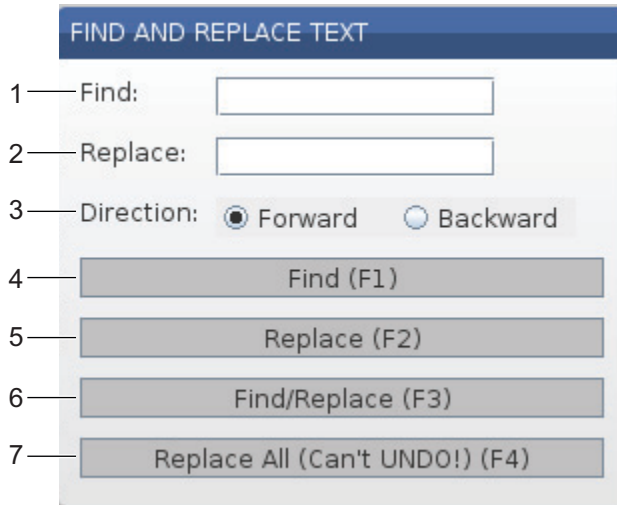
The **Search** menu gives you access to the **Find And Replace Text** function. This function lets you quickly find code in the program and optionally replace it. To use it:



NOTE:

This function searches for program code, not text. You cannot use this function to find text strings (like comments).

F5.4: Find and Replace Menu Example: [1] Text to Find, [2] Replacement Text, [3] Search Direction, [4] Find Option, [5] Replace Option, [6] Find and Replace Option, [7] Replace all Option



Specify Your Find / Replace Code

1. Press **[ENTER]** in the editor pull-down menu to open the **Find And Replace Text** menu. Use the cursor arrow keys to move between the fields in the menu.
2. In the **Find** field, Type the code you want to search for.
3. If you want to replace some or all of the found code, type the replacement code in the **Replace** field.
4. Use the **[LEFT]** and **[RIGHT]** cursor arrow keys to choose the search direction. **Forward** searches the program below the cursor position, **Backward** searches the program above the cursor position.

After you specify at least the code that you want to search for and the direction you want to search, press the function key for the search mode that you want to use:

Find Code ([F1])

Press **[F1]** to find the search term.

The control searches the program in the specified direction and highlights the first occurrence of the search term. Each time you press **[F1]**, the control searches for the next occurrence of the search term, in the search direction that you specified, until it reaches the end of the program.

Replace Code (**[F2]**)

After the search function finds an occurrence of your search term, you can press **[F2]** to replace that code with the contents of the **Repl**ace field.



NOTE:

*If you press **[F2]** with no text in the **Repl**ace field, the control deletes that occurrence of your search term.*

Find and Replace(**[F3]**)

Press **[F3]** instead of **[F1]** to start the find and replace operation. For each occurrence of your search term, press **[F3]** if you want to replace it with the text in the **Repl**ace field.

Replace All(**[F4]**)

Press **[F4]** to replace all of the search term occurrences in (1) step. You cannot undo this.

MODIFY Menu

The Modify menu has commands that let you make quick changes to an entire program, or to selected lines within a program.

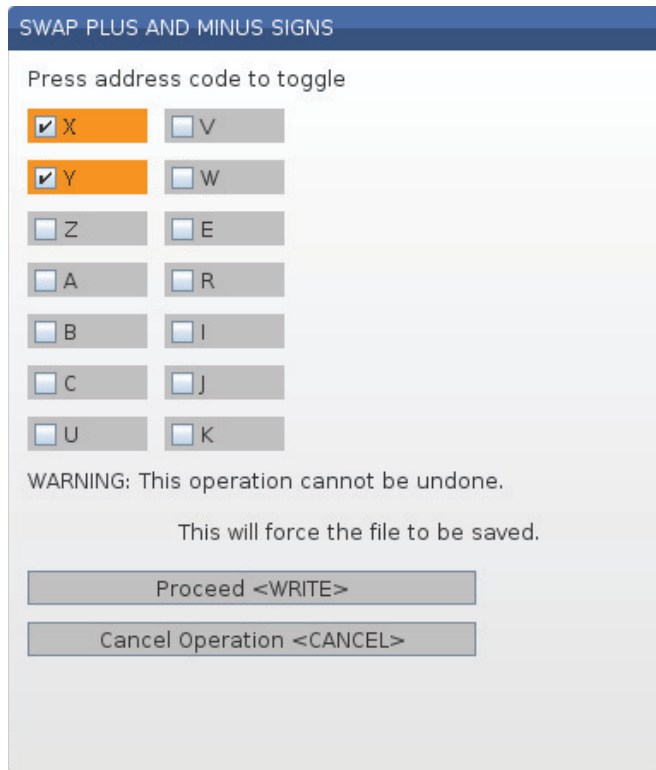


NOTE:

*You cannot use **[UNDO]** to reverse Modify operations. The operations also automatically save the program. If you are not sure you want to keep the changes that you make, be sure to save a copy of the original program.*

- **Remove All Line Numbers:** Automatically removes all N-code line numbers from the program or the selected program blocks.
- **Renumber All Lines:** Automatically adds N-code line numbers to the program or the selected program blocks. Enter the line number you want to start with and the increment to use between line numbers, then press **[ENTER]** to continue or press **[UNDO]** to cancel and to return to the editor.
- **Reverse + And - Signs:** Changes positive values for selected address codes to negative, or negative values to positive. Press the letter key for the address codes that you want to reverse to toggle selections in the pop-up menu. Press **[ENTER]** to execute the command or **[CANCEL]** to return to the editor.

F5.5: Reverse Plus and Minus Signs Menu



- **Reverse X And Y:** Changes the X address codes in the program to Y address codes, and changes Y address codes to X address codes.

5.3 Basic Programming

A typical CNC program has (3) parts:

1. **Preparation:** This portion of the program selects the work and tool offsets, selects the cutting tool, turns on the coolant, sets spindle speed, and selects absolute or incremental positioning for axis motion.
2. **Cutting:** This portion of the program defines the tool path and feed rate for the cutting operation.
3. **Completion:** This portion of the program moves the spindle out of the way, turns off the spindle, turns off the coolant, and moves the table to a position from where the part can be unloaded and inspected.

This is a basic program that makes a 0.100" (2.54 mm) deep cut with Tool 1 in a piece of material along a straight line path from X = 0.0, Y = 0.0 to X = - 4.0, Y = - 4.0.

**NOTE:**

A program block can contain more than one G-code, as long as those G-codes are from different groups. You cannot place two G-codes from the same group in a program block. Also note that only one M-code per block is allowed.

```

%
O40001 (Basic program) ;
(G54 X0 Y0 is top right corner of part) ;
(Z0 is on top of the part) ;
(T1 is a 1/2" end mill) ;
(BEGIN PREPARATION BLOCKS) ;
T1 M06 (Select tool 1) ;
G00 G90 G17 G40 G49 G54 (Safe startup) ;
X0 Y0 (Rapid to 1st position) ;
S1000 M03 (Spindle on CW) ;
G43 H01 Z0.1 (Tool offset 1 on) ;
M08 (Coolant on) ;
(BEGIN CUTTING BLOCKS) ;
G01 F20. Z-0.1 (Feed to cutting depth) ;
X-4. Y-4. (linear motion) ;
(BEGIN COMPLETION BLOCKS) ;
G00 Z0.1 M09 (Rapid retract, Coolant off) ;
G53 G49 Z0 M05 (Z home, Spindle off) ;
G53 Y0 (Y home) ;
M30 (End program) ;
%
```

5.3.1 Preparation

These are the preparation code blocks in the sample program O40001:

Preparation Code Block	Description
%	Denotes the beginning of a program written in a text editor.
O40001 (Basic program) ;	O40001 is the name of the program. Program naming convention follows the Onnnnn format: The letter "O", or "o" is followed by a 5-digit number.

Preparation Code Block	Description
(G54 X0 Y0 is top right corner of part) ;	Comment
(Z0 is on top of the part) ;	Comment
(T1 is a 1/2" end mill) ;	Comment
(BEGIN PREPARATION BLOCKS) ;	Comment
T1 M06 (Select tool 1) ;	Selects tool T1 to be used. M06 commands the tool changer to load Tool 1 (T1) into the spindle.
G00 G90 G17 G40 G49 G54 (Safe startup) ;	This is referred to as a safe startup line. It is good machining practice to place this block of code after every tool change. G00 defines axis movement following it to be completed in Rapid Motion mode. G90 defines axis movements following it to be completed in absolute mode (refer to page 190 for more information). G17 defines the cutting plane as the XY plane. G40 cancels Cutter Compensation. G49 cancels tool length compensation. G54 defines the coordinate system to be centered on the Work Offset stored in G54 on the Offset display.
X0 Y0 (Rapid to 1st position) ;	X0 Y0 commands the table to move to the position X = 0.0 and Y = 0.0 in the G54 coordinate system.
S1000 M03 (Spindle on CW) ;	M03 turns the spindle on in a clockwise direction. It takes the address code Snnnn, where nnnn is the desired spindle RPM. On machines with a gearbox, the control automatically selects high gear or low gear, based on the commanded spindle speed. You can use an M41 or M42 to override this. Refer to page 420 for more information on these M-codes.
G43 H01 Z0.1 (Tool offset 1 on) ;	G43 H01 turns on Tool Length Compensation +. The H01 specifies to use the length stored for Tool 1 in the Tool Offset display. Z0.1 commands the Z Axis to Z=0.1.
M08 (Coolant on) ;	M08 commands the coolant to turn on.

5.3.2 Cutting

These are the cutting code blocks in the sample program O40001:

Cutting Code Block	Description
G01 F20. Z-0.1 (Feed to cutting depth) ;	G01 F20. defines axis movements after it to be completed in a straight line. G01 requires the address code Fnnn.nnnn. The address code F20. specifies that the feed rate for the motion is 20" (508 mm) / min. Z-0.1 commands the Z Axis to Z = - 0.1.
X-4. Y-4. (linear motion) ;	X-4. Y-4. commands the X Axis to move to X = - 4.0 and commands the Y Axis to move to Y = - 4.0.

5.3.3 Completion

These are the completion code blocks in the sample program O40001:

Completion Code Block	Description
G00 Z0.1 M09 (Rapid retract, Coolant off) ;	G00 commands the axis motion to be completed in rapid motion mode. Z0.1 Commands the Z Axis to Z = 0.1. M09 commands the coolant to turn off.
G53 G49 Z0 M05 (Z home, Spindle off) ;	G53 defines axis movements after it to be with respect to the machine coordinate system. G49 cancels tool length compensation. Z0 is a command to move to Z = 0.0. M05 turns the spindle off.
G53 Y0 (Y home) ;	G53 defines axis movements after it to be with respect to the machine coordinate system. Y0 is a command to move to Y = 0.0.
M30 (End program) ;	M30 ends the program and moves the cursor on the control to the top of the program.
%	Denotes the end of a program written in a text editor.

5.3.4 Absolute vs. Incremental Positioning (G90, G91)

Absolute (G90) and incremental positioning (G91) define how the control interprets axis motion commands.

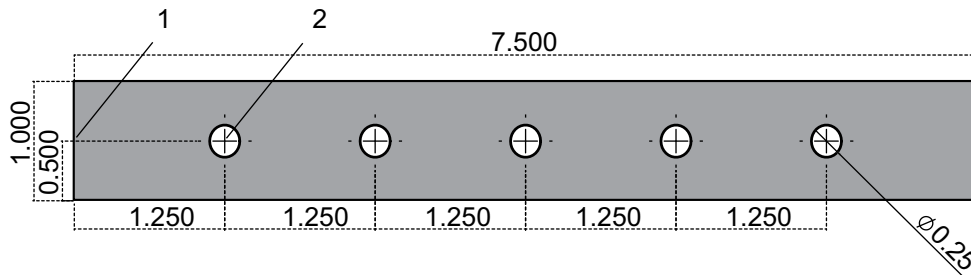
When you command axis motion after a G90 code, the axes move to that position relative to the origin of the coordinate system currently in use.

When you command axis motion after a G91, the axes move to that position relative to the current position.

Absolute programming is useful in most situations. Incremental programming is more efficient for repetitive, equally spaced cuts.

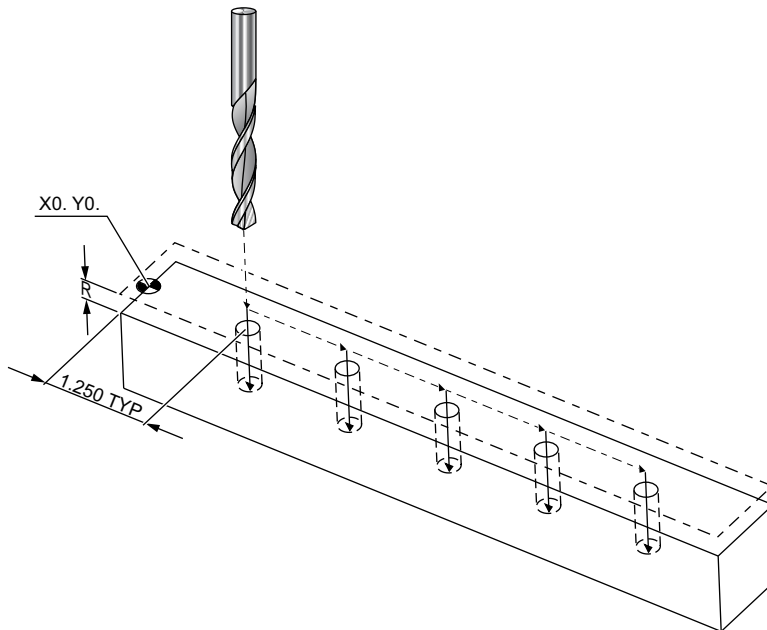
Figure F5.6 shows a part with 5 equally spaced $\text{\O}0.25$ " (13 mm) diameter holes. The hole depth is 1.00" (25.4 mm) and the spacing is 1.250" (31.75 mm) apart.

F5.6: Absolute / Incremental Sample Program. G54 X0. Y0. for Incremental [1], G54 for Absolute [2]



Below are two example programs that drill the holes as shown in the drawing, with a comparison between absolute and incremental positioning. We start the holes with a center drill, and finish drilling the holes with a 0.250" (6.35 mm) drill bit. We use a 0.200" (5.08 mm) depth of cut for the center drill and 1.00" (25.4 mm) depth of cut for the 0.250" drill. G81, Drill Canned Cycle, is used to drill the holes.

F5.7: Mill Incremental Positioning Example.



```

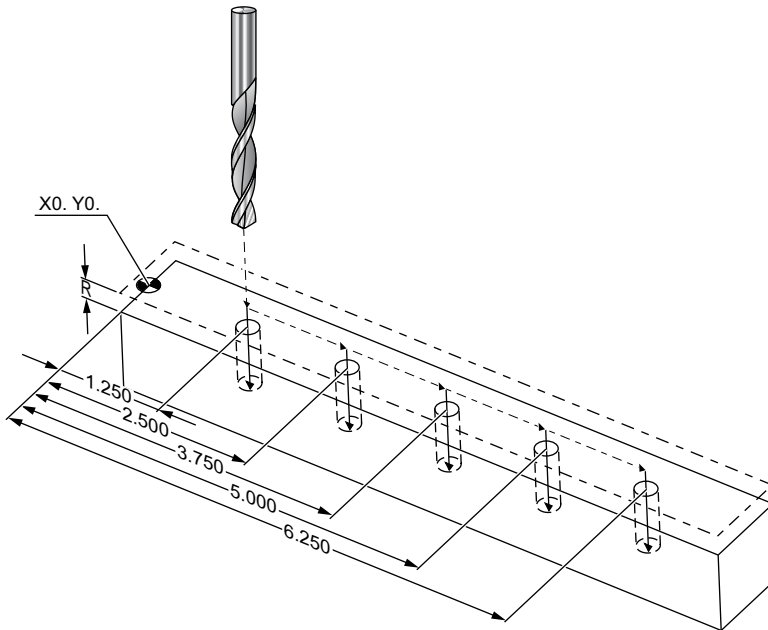
%
O40002 (Incremental ex-prog) ;
N1 (G54 X0 Y0 is center left of part) ;
N2 (Z0 is on top of the part) ;
N3 (T1 is a center drill) ;
N4 (T2 is a drill) ;
N5 (T1 PREPARATION BLOCKS) ;
N6 T1 M06 (Select tool 1) ;
N7 G00 G90 G40 G49 G54 (Safe startup) ;
N8 X0 Y0 (Rapid to 1st position) ;
N9 S1000 M03 (Spindle on CW) ;
N10 G43 H01 Z0.1 (Tool offset 1 on) ;
N11 M08 (Coolant on) ;
N12 (T1 CUTTING BLOCKS) ;
N13 G99 G91 G81 F8.15 X1.25 Z-0.3 L5 ;
N14 (Begin G81, 5 times) ;
N15 G80 (Cancel G81) ;
N16 (T1 COMPLETION BLOCKS) ;
N17 G00 G90 G53 Z0. M09 (rapid retract, clnt off) ;
N18 M01 (Optional stop) ;
N19 (T2 PREPARATION BLOCKS) ;
N20 T2 M06 (Select tool 2) ;
N21 G00 G90 G40 G49 (Safe startup) ;
N22 G54 X0 Y0 (Rapid to 1st position) ;

```

```

N23 S1000 M03 (Spindle on CW) ;
N24 G43 H02 Z0.1 (Tool offset 2 on) ;
N25 M08 (Coolant on) ;
N26 (T2 CUTTING BLOCKS) ;
N27 G99 G91 G81 F21.4 X1.25 Z-1.1 L5 ;
N28 G80 (Cancel G81) ;
N29 (T2 COMPLETION BLOCKS) ;
N30 G00 Z0.1 M09 (Rapid retract, clnt off) ;
N31 G53 G90 G49 Z0 M05 (Z home, spindle off) ;
N32 G53 Y0 (Y home) ;
N33 M30 (End program) ;
%
```

F5.8: Mill Absolute Positioning Example



```

%
O40003 (Absolute ex-prog) ;
N1 (G54 X0 Y0 is center left of part) ;
N2 (Z0 is on top of the part) ;
N3 (T1 is a center drill) ;
N4 (T2 is a drill) ;
N5 (T1 PREPARATION BLOCKS) ;
N6 T1 M06 (Select tool 1) ;
N7 G00 G90 G40 G49 G54 (Safe startup) ;
N8 X1.25 Y0 (Rapid to 1st position) ;
N9 S1000 M03 (Spindle on CW) ;
```

```
N10 G43 H01 Z0.1 (Tool offset 1 on) ;
N11 M08 (Coolant on) ;
N12 (T1 CUTTING BLOCKS) ;
N13 G99 G81 F8.15 X1.25 Z-0.2 ;
N14 (Begin G81, 1st hole) ;
N15 X2.5 (2nd hole) ;
N16 X3.75 (3rd hole) ;
N17 X5. (4th hole) ;
N18 X6.25 (5th hole) ;
N19 G80 (Cancel G81) ;
N20 (T1 COMPLETION BLOCK) ;
N21 G00 G90 G53 Z0. M09 (Rapid retract, clnt off);
N22 M01 (Optional Stop) ;
N23 (T2 PREPARATION BLOCKS) ;
N24 T2 M06 (Select tool 2) ;
N25 G00 G90 G40 G49 (Safe startup) ;
N26 G54 X1.25 Y0 (Rapid to 1st position) ;
N27 S1000 M03 (Spindle on CW) ;
N28 G43 H02 Z0.1 (Tool offset 2 on) ;
N29 M08 (Coolant on) ;
N30 (T2 CUTTING BLOCKS) ;
N31 G99 G81 F21.4 X1.25 Z-1. (1st hole) ;
N32 X2.5 (2nd hole) ;
N33 X3.75 (3rd hole) ;
N34 X5. (4th hole) ;
N35 X6.25 (5th hole) ;
N36 G80 (Cancel G81) ;
N37 (T2 COMPLETION BLOCKS) ;
N38 G00 Z0.1 M09 (Rapid retract, Clnt off) ;
N39 G53 G49 Z0 M05 (Z home, Spindle off) ;
N40 G53 Y0 (Y home) ;
N41 M30 (End program) ;
%
```

The absolute program method needs more lines of code than the incremental program. The programs have similar preparation and completion sections.

Look at line N13 in the incremental programming example, where the center drill operation begins. G81 uses the loop address code, Lnn, to specify the number of times to repeat the cycle. The address code L5 repeats this process (5) times. Each time the canned cycle repeats, it moves the distance that the optional X and Y values specify. In this program, the incremental program moves 1.25" in X from the current position with each loop, and then does the drill cycle.

For each drill operation, the program specifies a drill depth 0.1" deeper than the actual depth, because motion starts from 0.1" above the part.

In absolute positioning, G81 specifies the drill depth, but it does not use the loop address code. Instead, the program gives the position of each hole on a separate line. Until G80 cancels the canned cycle, the control does the drill cycle at each position.

The absolute positioning program specifies the exact hole depth, because the depth starts at the part surface (Z=0).

5.4 Tool and Work Offset Calls

5.4.1 G43 Tool Offset

The G43 Hnn Tool Length Compensation command should be used after every tool change. It adjusts the Z-Axis position to account for the length of the tool. The Hnn argument specifies which tool length to use. For more information see Setting Tool Offsets on page 169 in the Operation section.



CAUTION:

The tool length nn value should match the nn value from the M06 Tnn tool change command to avoid a possible collision.

Setting 15 - H & T Code Agreement controls whether the nn value needs to match in the Tnn and Hnn arguments. If Setting 15 is ON and the Tnn and Hnn do not match, Alarm 332 - H and T Not Matched is generated.

5.4.2 G54 Work Offsets

Work Offsets define where a work piece is located on the table.

Work Offsets available are G54-G59, G110-G129, and G154 P1-P99. G110-G129 and G154 P1-P20 refer to the same Work Offsets.

A useful feature is to set up multiple work pieces on the table and machining multiple parts in one machine cycle. This is accomplished by assigning each work piece to a different Work Offset.

For more information, reference the G-code section of this manual. Below is an example of machining multiple parts in one cycle. The program uses M97 Local Sub-Program Call in the cutting operation.

```
%  
O40005 (Work offsets ex-prog) ;  
(G54 X0 Y0 is center left of part) ;  
(Z0 is on top of the part) ;  
(T1 is a drill) ;  
(BEGIN PREPARATION BLOCKS) ;
```



```

T1 M06 (Select tool 1) ;
G00 G90 G40 G49 G54(Safe startup) ;
X0 Y0 ;
(Move to first work coordinate position-G54) ;
S1000 M03 (Spindle on CW) ;
G43 H01 Z0.1 (Tool offset 1 on) ;
M08 (Coolant on) ;
(BEGIN CUTTING BLOCKS) ;
M97 P1000 (Call local Subprogram) ;
G00 Z3. (Rapid retract) ;
G90 G110 G17 G40 G80 X0. Y0. ;
(Move to second work coordinate position-G110) ;
M97 P1000 (Call local Subprogram) ;
G00 Z3. (Rapid Retract) ;
G90 G154 P22 G17 G40 G80 X0. Y0. ;
(Move to third work coordinate position-G154 P22) ;
M97 P1000 (Call local Subprogram) ;
(BEGIN COMPLETION BLOCKS) ;
G00 Z0.1 M09 (Rapid retract, Coolant off) ;
G53 G49 Z0 M05 (Z home, Spindle off) ;
G53 Y0 (Y home) ;
M30 (End program) ;
N1000 (Local subprogram) ;
G81 F41.6 X1. Y2. Z-1.25 R0.1 (Begin G81) ;
(1st hole) ;
X2. Y2. (2nd hole) ;
G80 (Cancel G81) ;
M99 ;
%
```

5.5 Miscellaneous Codes

This section lists frequently used M-codes. Most programs have at least one M-code from each of the following families.

Refer to the M-code section of this manual, starting on page **409**, for a list of all M-codes with descriptions.



NOTE:

You can use only one M-code on each line of the program.

5.5.1 Tool Functions (Tnn)

The `Tnn` code selects the next tool to be placed in the spindle from the tool changer. The `T` address does not start the tool change operation; it only selects which tool will be used next. `M06` starts a tool change operation; for example, `T1M06` puts tool 1 in the spindle.

**CAUTION:**

There is no X or Y motion required before a tool change; however, if the work piece or fixture is large, position X or Y before a tool change to prevent a crash between the tools and the part or fixture.

You can command a tool change with the X, Y, and Z Axes in any position. The control will bring the Z Axis up to the machine zero position. The control moves the Z Axis to a position above machine zero during a tool change, but it never moves below machine zero. At the end of a tool change, the Z Axis is at machine zero.

5.5.2 Spindle Commands

There are (3) primary spindle M-code commands:

- `M03 Snnnn` commands the spindle to turn clockwise.
- `M04 Snnnn` commands the spindle to turn counter-clockwise.

**NOTE:**

The `Snnnn` address commands the spindle to turn at `nnnn` RPM, up to the maximum spindle speed.

- `M05` commands the spindle to stop.

**NOTE:**

When you command an `M05`, the control waits for the spindle to stop before the program continues.

5.5.3 Program Stop Commands

There are (2) main M-codes and (1) subprogram M-code to denote the end of a program or subprogram:

- `M30` - Program End and Rewind ends the program and resets to the beginning of the program. This is the most common way to end a program.
- `M02` - Program End ends the program and remains at the location of the `M02` block of code in the program.
- `M99` - Subprogram Return or Loop exits the subprogram and resumes the program that called it.

**NOTE:**

If your subprogram does not end with M99, the control gives Alarm 312 - Program End.

5.5.4 Coolant Commands

Use M08 to command standard coolant on. Use M09 to command standard coolant off. Refer to page 414 for more information on these M-codes.

If your machine has Through-Spindle Coolant (TSC), use M88 to command it on, and M89 to command it off.

5.6 Cutting G-codes

The main cutting G-codes are categorized into interpolation motion and canned cycles. Interpolation motion cutting codes are broken down into:

- G01 - Linear Interpolation Motion
- G02 - Clockwise Circular Interpolation Motion
- G03 - Counter-Clockwise Circular Interpolation Motion
- G12 - Clockwise Circular Pocket Milling
- G13 - Counter-Clockwise Circular Pocket Milling

5.6.1 Linear Interpolation Motion

G01 Linear Interpolation Motion is used to cut straight lines. It requires a feedrate, specified with the Fnnn.nnnn address code. Xnn.nnnn, Ynn.nnnn, Znn.nnnn, and Annn.nnn are optional address codes to specify cut. Subsequent axis motion commands will use the feed rate specified by G01 until another axis motion, G00, G02, G03, G12, or G13 is commanded.

Corners can be chamfered using the optional argument Cnn.nnnn to define the chamfer. Corners can be rounded using the optional address code Rnn.nnnn to define the radius of the arc. Refer to page 309 for more information on G01.

5.6.2 Circular Interpolation Motion

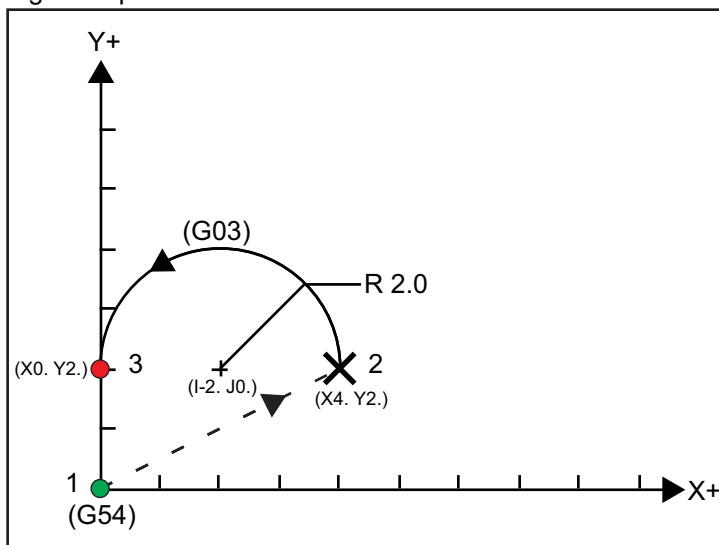
G02 and G03 are the G-codes for circular cutting motions. Circular Interpolation Motion has several optional address codes to define the arc or circle. The arc or circle begins cutting from the current cutter position [1] to the geometry specified within the G02/ G03 command.

Arcs can be defined using two different methods. The preferred method is to define the center of the arc or circle with I, J and/or K and to define the end point [3] of the arc with an X, Y and/or Z. The I J K values define the relative X Y Z distances from the starting point [2] to the center of the circle. The X Y Z values define the absolute X Y Z distances from the starting point to the end point of the arc within the current coordinate system. This is also the only method to cut a circle. Defining only the I J K values and not defining the end point X Y Z values will cut a circle.

The other method to cut an arc is to define the X Y Z values for the end point and to define the radius of the circle with an R value.

Below are examples of using the two different methods to cut a 2" (or 2 mm) radius, 180 degree, counter-clockwise arc. The tool starts at X0 Y0 [1], moves to the starting point of the arc [2], and cuts the arc to the end point [3]:

F5.9: Arc Cutting Example



Method 1:

```

%
T01 M06 ;
...
G00 X4. Y2. ;
G01 F20.0 Z-0.1 ;
G03 F20.0 I-2.0 J0. X0. Y2. ;

```

```

...
M30 ;
%
```

Method 2:

```

%
T01 M06 ;
...
G00 X4. Y2. ;
G01 F20.0 Z-0.1 ;
G03 F20.0 X0. Y2. R2. ;
...M30 ;
%
```

Below is an example of how to cut a 2" (or 2 mm) radius circle:

```

%
T01 M06 ;
...
G00 X4. Y2. ;
G01 F20.0 Z-0.1 ;
G02 F20.0 I2.0 J0. ;
...
M30 ;
%
```

5.7 Cutter Compensation

Cutter compensation is a method of shifting the tool path so that the actual centerline of the tool moves to either the left or right of the programmed path. Normally, cutter compensation is programmed to shift the tool in order to control feature size. The offset display is used to enter the amount that the tool is to be shifted. The offset can be entered as either a diameter or radius value, depending on Setting 40, for both the geometry and wear values. If diameter is specified, the shift amount is half of the value entered. The effective offset values are the sum of the geometry and wear values. Cutter compensation is only available in the X Axis and the Y Axis for 2D machining (G17). For 3D machining, cutter compensation is available in the X Axis, Y Axis, and Z Axis (G141).

5.7.1 General Description of Cutter Compensation

G41 selects cutter compensation left. This means that the control moves the tool to the left of the programmed path (with respect to the direction of travel) to compensate for the tool radius or diameter defined in the tool offsets table (Refer to Setting 40). G42 selects cutter compensation right, which moves the tool to the right of the programmed path, with respect to the direction of travel.

A G41 or G42 command must have a D_{nnn} value to select the correct offset number from the radius / diameter offset column. The number to use with D is in the far-left column of the tool offsets table. The value that the control uses for cutter compensation is in the **GEOMETRY** column under **D** (if Setting 40 is **DIAMETER**) or **R** (if Setting 40 is **RADIUS**).

If the offset value is negative, cutter compensation operates as though the program specifies the opposite G code. For example, a negative value entered for a G41 will behave as if a positive value was entered for G42. Also, when cutter compensation is active (G41 or G42), you may use only the X-Y plane (G17) for circular motions. Cutter compensation is limited to compensation in only the X-Y plane.

G40 cancels cutter compensation and is the default condition when you power on your machine. When cutter compensation is not active, the programmed path is the same as the center of the cutter path. You may not end a program (M30, M00, M01, or M02) with cutter compensation active.

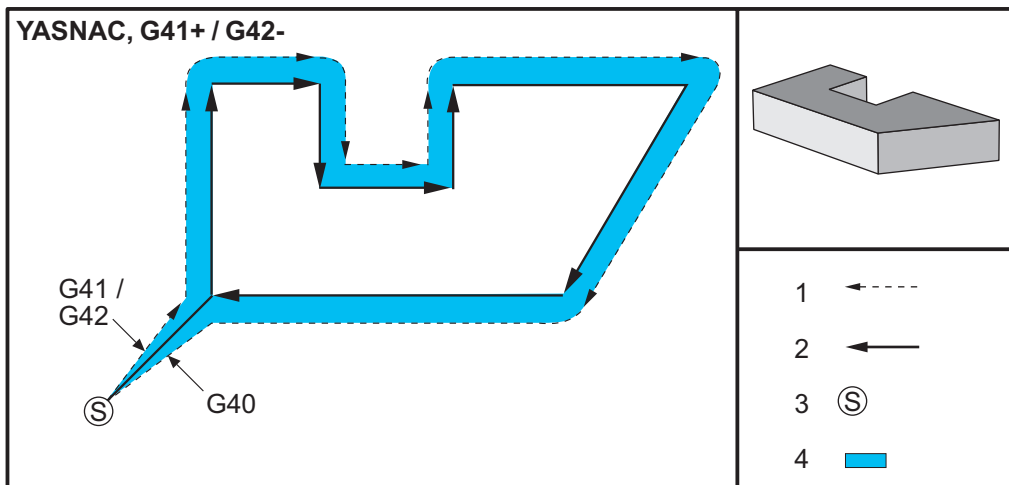
The control operates on one motion block at a time. However, it will look ahead at the next (2) blocks that have X or Y motions. The control checks these (3) blocks of information for interference. Setting 58 controls how this part of cutter compensation works. Available Setting 58 values are Fanuc or Yasnac.

If Setting 58 is set to Yasnac, the control must be able to position the side of the tool along all of the edges of the programmed contour without overcutting the next two motions. A circular motion joins all of the outside angles.

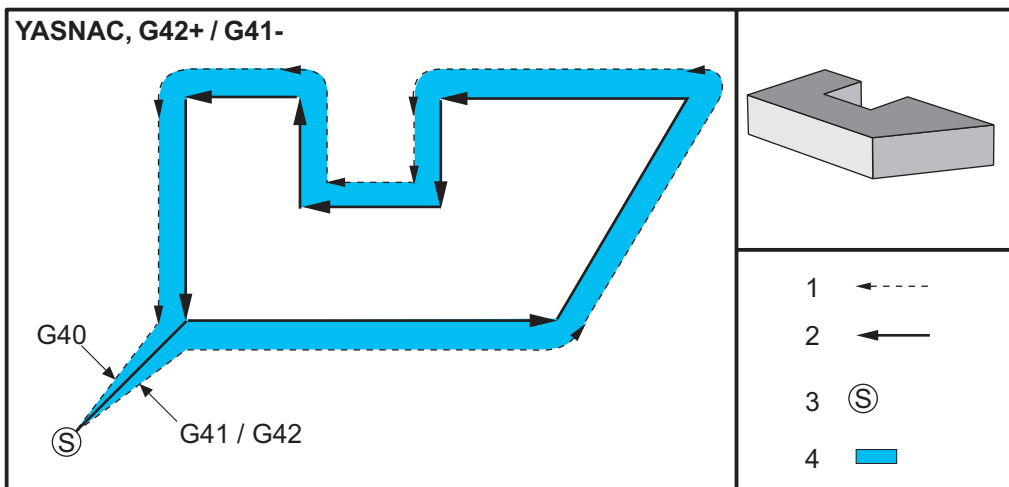
If Setting 58 is set to Fanuc, the control does not require that the tool cutting edge be placed along all edges of the programmed contour, preventing overcutting. However the control will generate an alarm if the cutter's path is programmed so that it will overcut. The control joins outside angles less than or equal to 270 degrees with a sharp corner. It joins outside angles of more than 270 degrees with an extra linear motion.

These diagrams show how cutter compensation works for the possible values of Setting 58. Note that a small cut of less than the tool radius and at a right angle to the previous motion will work only with the Fanuc setting.

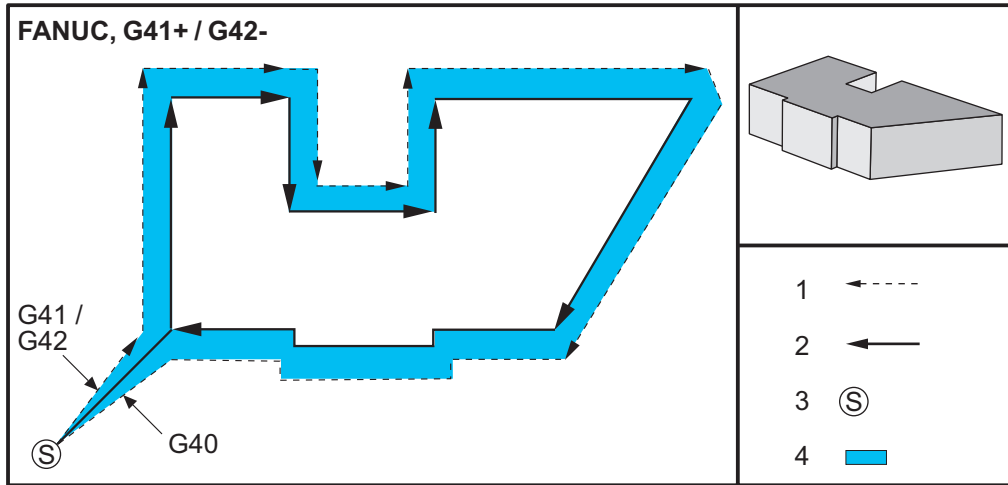
F5.10: Cutter Compensation, YASNAC Style, G41 with a Positive Tool Diameter or G42 with a Negative Tool Diameter: [1] Tool Path Actual Center, [2] Programmed Tool Path, [3] Start Point, [4] Cutter Compensation. G41 / G42 and G40 are commanded at the start and end of the tool path.



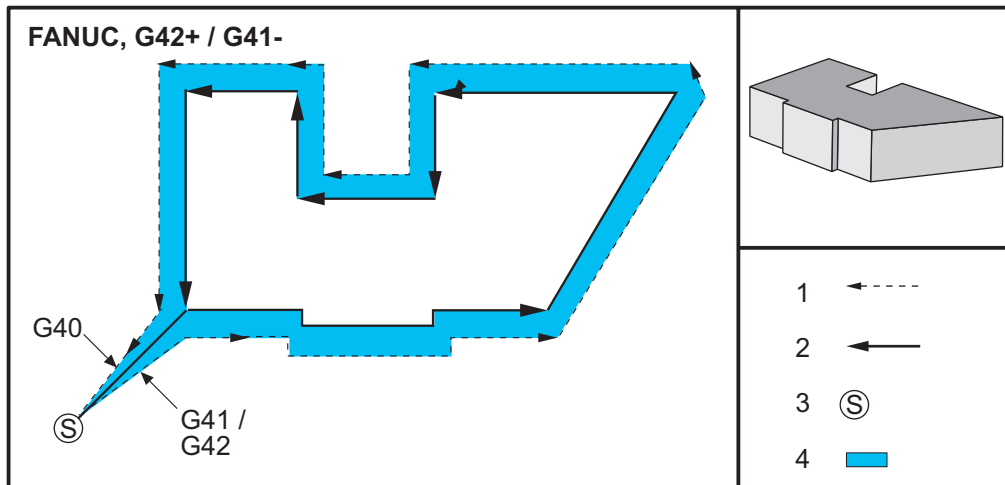
F5.11: Cutter Compensation, YASNAC Style, G42 with a Positive Tool Diameter or G41 with a Negative Tool Diameter: [1] Tool Path Actual Center, [2] Programmed Tool Path, [3] Start Point, [4] Cutter Compensation. G41 / G42 and G40 are commanded at the start and end of the tool path.



F5.12: Cutter Compensation, FANUC Style, G41 with a Positive Tool Diameter or G42 with a Negative Tool Diameter: [1] Tool Path Actual Center, [2] Programmed Tool Path, [3] Start Point, [4] Cutter Compensation. G41 / G42 and G40 are commanded at the start and end of the tool path.



F5.13: Cutter Compensation, FANUC Style, G42 with a Positive Tool Diameter or G41 with a Negative Tool Diameter: [1] Tool Path Actual Center, [2] Programmed Tool Path, [3] Start Point, [4] Cutter Compensation. G41 / G42 and G40 are commanded at the start and end of the tool path.



5.7.2 Entry and Exit from Cutter Compensation

When entering and exiting cutter compensation, or when changing from left side to right side compensation, there are special considerations to be aware of. Cutting should not be performed during any of these moves. To activate cutter compensation, a nonzero `D` code must be specified with either `G41` or `G42` and `G40` must be specified in the line that cancels cutter compensation. In the block that turns on cutter compensation, the starting position of the move is the same as the programmed position, but the ending position will be offset, to either the left or right of the programmed path, by the amount entered in the, radius/diameter, offset column.

In the block that turns off cutter compensation, the starting point is offset and the ending point is not offset. Similarly, when changing from left to right or right to left side compensation, the starting point of the move needed to change cutter compensation direction will be offset to one side of the programmed path and end at a point that is offset to the opposite side of the programmed path. The result of all this is that the tool moves through a path that may not be the same as the intended path or direction.

If cutter compensation is turned on or off in a block without any X-Y move, there is no change made to cutter compensation until the next X or Y move is encountered. To exit from cutter compensation, you must specify `G40`.

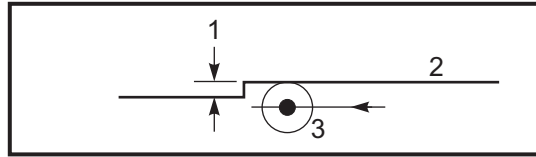
You should always turn off cutter compensation in a move that clears the tool away from the part being cut. If a program is terminated with cutter compensation still active, an alarm is generated. In addition, you cannot turn cutter compensation on or off during a circular move (`G02` or `G03`); otherwise an alarm will be generated.

An offset selection of `D0` will use zero as the offset value and have the same effect as turning off cutter compensation. If a new `D` value is selected while cutter compensation is already active, the new value will take effect at the end of the proceeding move. You cannot change the `D` value or change sides during a circular motion block.

When turning on cutter compensation in a move that is followed by a second move at an angle of less than 90 degrees, there are two ways of computing the first motion: cutter compensation type A and type B (Setting 43). Type A is the default in Setting 43 and is what is normally needed; the tool moves directly to the offset start point for the second cut. Type B is used when clearance around a fixture or clamp is needed, or in rare cases when part geometry demands it. The diagrams in this section illustrate the differences between type A and type B for both Fanuc and Yasnac settings (Setting 58).

Improper Cutter Compensation Application

F5.14: Improper Cutter Compensation: [1] Move is less than cutting comp radius, [2] Workpiece, [3] Tool.



NOTE:

A small cut of less than tool radius and at a right angle to the previous motion will only work with the Fanuc setting. A cutter compensation alarm will be generated if the machine is set to the Yasnac setting.

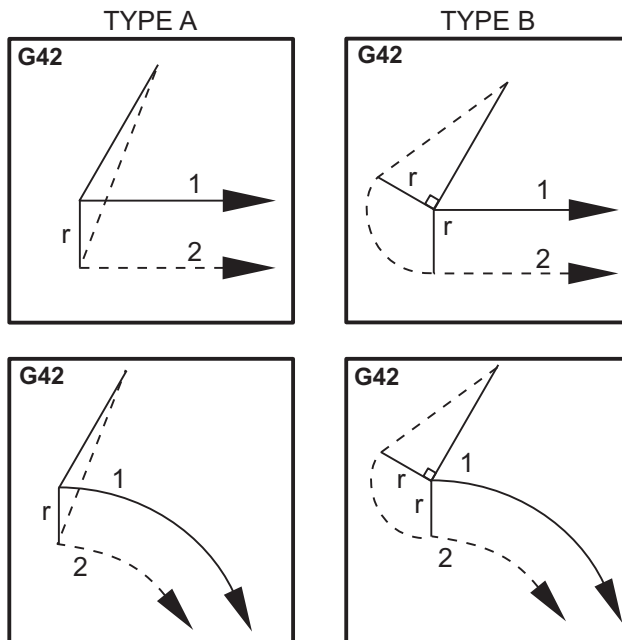
5.7.3 Feed Adjustments in Cutter Compensation

When using cutter compensation in circular moves, there is the possibility of speed adjustments to what has been programmed. If the intended finish cut is on the inside of a circular motion, the tool should be slowed down to ensure that the surface feed does not exceed what was intended by the programmer. There are problems, however, when the speed is slowed by too much. For this reason, Setting 44 is used to limit the amount by which the feed is adjusted in this case. It can be set between 1% and 100%. If set to 100%, there will be no speed changes. If set to 1%, the speed can be slowed to 1% of the programmed feed.

When the cut is on the outside of a circular motion, there is no speed-up adjustment made to the feed rate.

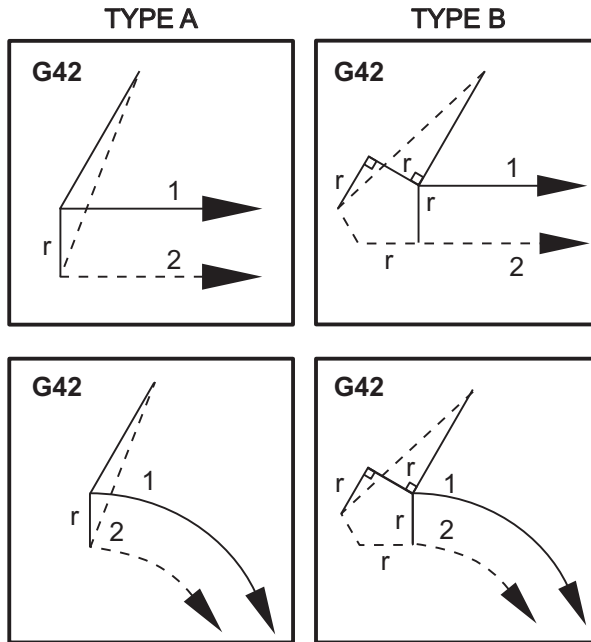
Cutter Compensation Entry (Yasnac)

F5.15: Cutter Compensation Entry (Yasnac) Type A and B: [1] Programmed Path, [2] Tool Center Path, [r] Tool Radius



Cutter Compensation Entry (Fanuc style)

F5.16: Cutter Compensation Entry (Fanuc style) Type A and B: [1] Programmed Path, [2] Tool Center Path, [r] Tool Radius



5.7.4 Circular Interpolation and Cutter Compensation

In this section, the usage of G02 (Circular Interpolation Clockwise), G03 (Circular Interpolation Counterclockwise) and Cutter Compensation (G41: Cutter Compensation Left, G42: Cutter Compensation Right) is described.

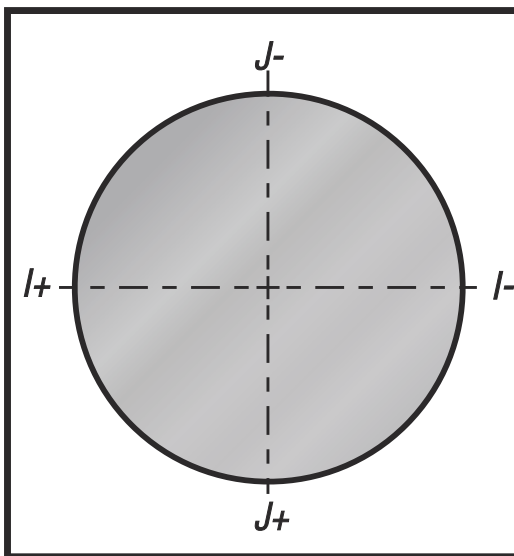
Using G02 and G03, we can program the machine to cut circular moves and radii. Generally, when programming a profile or a contour, the easiest way to describe a radius between two points is with an R and a value. For complete circular moves (360 degrees), an I or a J with a value must be specified. The circle section illustration will describe the different sections of a circle.

By using cutter compensation in this section, the programmer will be able to shift the cutter by an exact amount and be able to machine a profile or a contour to the exact print dimensions. By using cutter compensation, programming time and the likelihood of a programming calculation error is reduced due to the fact that real dimensions can be programmed, and part size and geometry can be easily controlled.

Here are a few rules about cutter compensation that you must follow closely for successful machining operations. Always refer to these rules when you write your programs.

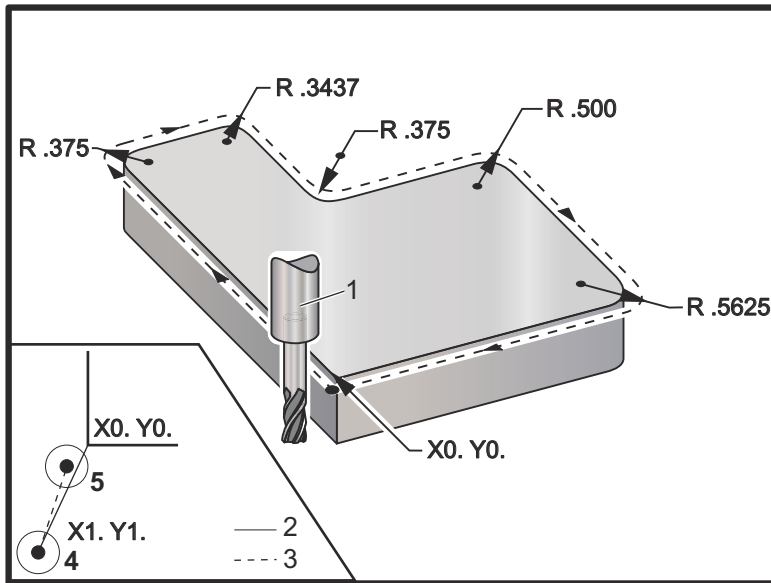
1. Cutter compensation must be turned ON during a G01 X, Y move that is equal to or greater than the cutter radius, or the amount being compensated.
2. When an operation using cutter compensation is done, the cutter compensation will need to be turned OFF, using the same rules as the turn ON process, i.e., what is put in must be taken out.
3. In most machines, during cutter compensation, a linear X, Y move that is smaller than the cutter radius may not work. (Setting 58 - set to Fanuc - for positive results.)
4. Cutter compensation cannot be turned ON or OFF in a G02 or G03 arc movement.
5. With cutter compensation active, machining an inside arc with a radius less than what is defined by the active D value causes the machine to alarm. Can not have too big of a tool diameter if the radius of arc is too small.

F5.17: Circle Sections



This illustration shows how the tool path is calculated for the cutter compensation. The detail section shows the tool in the starting position and then in the offset position as the cutter reaches the workpiece.

F5.18: Circular Interpolation G02 and G03: [1] 0.250" diameter endmill, [2] Programmed path, [3] Center of Tool, [4] Start Position, [5] Offset Tool Path.



Programming exercise showing tool path.

This program uses cutter compensation. The toolpath is programmed to the centerline of the cutter. This is also the way the control calculates for cutter compensation.

```

%
O40006 (Cutter comp ex-prog) ;
(G54 X0 Y0 is at the lower left of part corner) ;
(Z0 is on top of the part) ;
(T1 is a .250 dia endmill) ;
(BEGIN PREPARATION BLOCKS) ;
T1 M06 (Select tool 1) ;
G00 G90 G40 G49 G54 (Safe startup) ;
X-1. Y-1. (Rapid to 1st position) ;
S1000 M03 (Spindle on CW) ;
G43 H01 Z0.1 (Tool offset 1 on) ;
M08 (Coolant on) ;
(BEGIN CUTTING BLOCKS) ;
G01 Z-1. F50. (Feed to cutting depth) ;
G41 G01 X0 Y0 D01 F50. (2D Cutter Comp left on) ;
Y4.125 (Linear motion) ;
G02 X0.25 Y4.375 R0.375 (Corner rounding) ;
G01 X1.6562 (Linear motion) ;
G02 X2. Y4.0313 R0.3437 (Corner rounding) ;
G01 Y3.125 (Linear motion) ;

```

```

G03 X2.375 Y2.75 R0.375 (Corner rounding) ;
G01 X3.5 (Linear motion) ;
G02 X4. Y2.25 R0.5 (Corner rounding) ;
G01 Y0.4375 (Linear motion) ;
G02 X3.4375 Y-0.125 R0.5625 (Corner rounding) ;
G01 X-0.125 (Linear motion) ;
G40 X-1. Y-1. (Last position, cutter comp off) ;
(BEGIN COMPLETION BLOCKS) ;
G00 Z0.1 M09 (Rapid retract, Coolant off) ;
G53 G49 Z0 M05 (Z home, Spindle off) ;
G53 Y0 (Y home) ;
M30 (End program) ;
%
```

5.8 Canned Cycles

Canned cycles are G-codes that do repetitive operations such as drilling, tapping, and boring. You define a canned cycle with alphabetic address codes. While the canned cycle is active, the machine does the defined operation every time you command a new position, unless you specify not to.

5.8.1 Drilling Canned Cycles

All four drill canned cycles can be looped in G91, Incremental Programming mode.

- The G81 Drill Canned Cycle is the basic drilling cycle. It is used for drilling shallow holes or for drilling with Through Spindle Coolant (TSC).
- The G82 Spot Drill Canned Cycle is the same as the G81 Drill Canned Cycle except that it can dwell at the bottom of the hole. The optional argument Pn.nnn specifies the duration of the dwell.
- The G83 Normal Peck Drilling Canned Cycle is typically used for drilling deep holes. Peck depth can be variable or constant and always incremental. Qnn.nnn. Do not use a Q value when programming with I, J, and K.
- The G73 High-Speed Peck Drilling Canned Cycle is the same as the G83 Normal Peck Drilling Canned Cycle except that tool peck retraction is specified with Setting 22 - Can Cycle Delta Z. Peck drilling cycles are advised for hole depths greater than 3 times the diameter of the drill bit. The initial peck depth, defined by I, should generally be a depth of 1 tool diameter.

5.8.2 Tapping Canned Cycles

There are two tapping canned cycles. All tapping canned cycles can be looped in G91, Incremental Programming mode.

- The G84 Tapping Canned Cycle is the normal tapping cycle. It is used for tapping right-hand threads.

- G74 Reverse Tap Canned Cycle is the reverse thread tapping cycle. It is used for tapping left-hand threads.

5.8.3 Boring and Reaming Cycles

There are (5) boring canned cycles. All boring canned cycles can be looped in G91, Incremental Programming mode.

- The G85 Boring Canned Cycle is the basic boring cycle. It will bore down to the desired height and return to the specified height.
- The G86 Bore and Stop Canned Cycle is the same as the G85 Boring Canned Cycle except that the spindle will stop at the bottom of the hole before returning to the specified height.
- The G89 Bore In, Dwell, Bore Out Canned Cycle is the same as G85 except that there is a dwell at the bottom of the hole, and the hole continues to be bored at the specified feed rate as the tool returns to the specified position. This differs from other boring canned cycles where the tool either moves in Rapid Motion or hand jog to return to the return position.
- The G76 Fine Boring Canned Cycle bores the hole to the specified depth and after boring the hole, moves to clear the tool from hole before retracting.
- The G77 Back Bore Canned Cycle works similar to G76 except that before beginning to bore the hole, it moves the tool to clear the hole, moves down into the hole, and bores to the specified depth.

5.8.4 R Planes

R Planes, or return planes, are G-code commands that specify the Z-Axis return height during canned cycles. The R Plane G-codes remain active for the duration of the canned cycle it is used with. G98 Canned Cycle Initial Point Return moves the Z axis to the height of the Z axis prior to the canned cycle. G99 Canned Cycle R Plane Return moves the Z axis to the height specified by the Rnn.nnnn argument specified with the canned cycle. For additional information, refer to the G and M-code section.

5.9 Special G-codes

Special G-codes are used for complex milling. These include:

- Engraving (G47)
- Pocket Milling (G12, G13, and G150)
- Rotation and Scaling (G68, G69, G50, G51)
- Mirror Image (G101 and G100)

5.9.1 Engraving

The G47 Text Engraving G-code lets you engrave text (including some ASCII characters) or sequential serial numbers with a single block of code.

Refer to page 332 for more information on engraving.

5.9.2 Pocket Milling

There are two types of pocket milling G-codes on the Haas control:

- Circular Pocket Milling is performed with the G12 Clockwise Circular Pocket Milling Command and the G13 Counter-Clockwise Circular Pocket Milling Command G-codes.
- The G150 General Purpose Pocket Milling uses a subprogram to machine user-defined pocket geometries.

Make sure that the subprogram geometry is a fully closed shape. Make sure that the X-Y starting point in the G150 command is within the boundary of the fully closed shape. Failure to do so may cause Alarm 370 - Pocket Definition Error.

Refer to page 5 for more information on the pocket milling G-codes.

5.9.3 Rotation and Scaling



NOTE:

You must purchase the rotation and scaling option to use these features. A 200-hour option tryout is also available.

G68 Rotation is used to rotate the coordinate system in the desired plane. You can use this feature together with G91 Incremental Programming mode to machine symmetrical patterns. G69 cancels rotation.

G51 applies a scaling factor to the positioning values in blocks after the G51 command. G50 cancels scaling. You can use scaling together with rotation, but be sure to command scaling first.

Refer to page 345 for more information on the rotation and scaling G-codes.

5.9.4 Mirror Image

G101 Enable Mirror Image will mirror axis motion about the specified axis. Settings 45-48, 80 and 250 enable mirror imaging about the X, Y, Z, A, B, and C axes. The mirror pivot point along an axis is defined by the Xnn.nn argument. This can be specified for a Y Axis that is enabled on the machine and in the settings by using the axis to mirror as the argument. G100 cancels G101.

Refer to page 371 for more information on the mirror image G-codes.

5.10 Subprograms

Subprograms:

- Are usually a series of commands that are repeated several times in a program.
- Are written in a separate program, instead of repeating the commands many times in the main program.
- Are called in the main program with an `M97` or `M98` and a `P` code.
- Can include an `L` for repeat count. The subprogram call repeats `L` times before the main program continues with the next block.

When you use `M97`:

- The `P` code (`nnnnn`) is the same as the block number (`Nnnnnn`) of the local subprogram.
- The subprogram must be within the main program

When you use `M98`:

- The `P` code (`nnnnn`) is the same as the program number (`Onnnnn`) of the subprogram.
- If the subprogram is not in memory, the file name must be `Onnnnn.nc`. The file name must contain the `O`, leading zeros and `.nc` for the machine to find the subprogram.
- The subprogram must reside in the active directory, or in a location specified in Settings 251/252. Refer to page **472** for more information on subprogram search locations.

Canned Cycles are the most common use of subprograms. For example, you might put the X and Y locations of a series of holes in a separate program. Then you can call that program as a subprogram with a canned cycle. Instead of writing the locations once for each tool, you write the locations only once for any number of tools.

5.10.1 External Subprogram (M98)

An external subprogram is a separate program that the main program references. Use `M98` to command (call) an external subprogram, with `Pnnnnn` to refer to the program number you want to call.

When your program calls an `M98` subprogram, the control looks for the subprogram in the main program's directory. If the control cannot find the subprogram in the main program's directory, it then looks in the location specified in Setting 251. Refer to page **471** for more information. An alarm occurs if the control cannot find the subprogram.

In this example, the subprogram (program O40008) specifies (8) positions. It also includes a `G98` command at the move between positions 4 and 5. This causes the Z Axis to return to the initial starting point instead of the R plane, so the tool passes over the workholding.

The main program (Program O40007) specifies (3) different canned cycles:

1. G81 Spot drill at each position
2. G83 Peck drill at each position
3. G84 Tap at each position

Each canned cycle calls the subprogram and does the operation at each position.

```

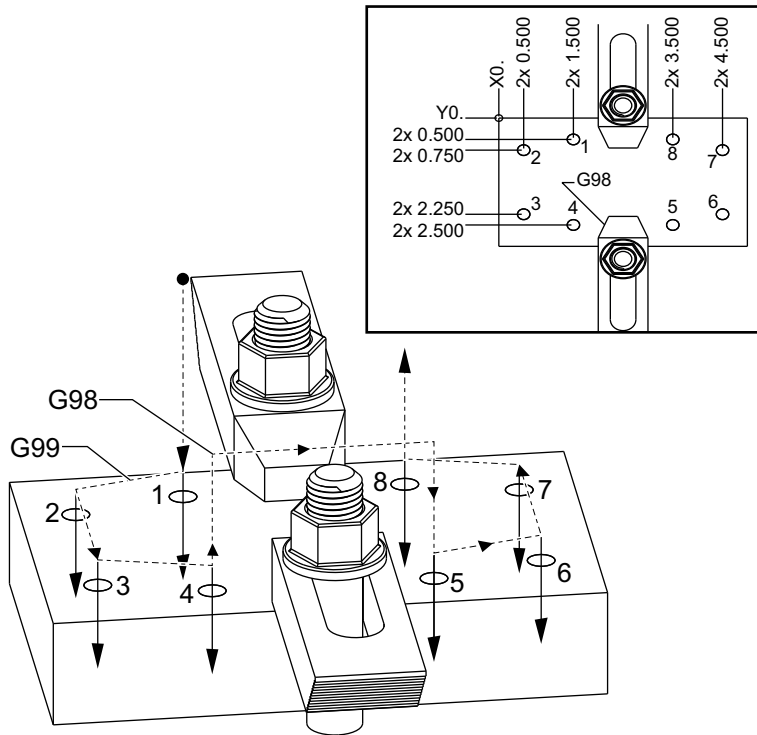
%
O40007 (External subprogram ex-prog) ;
(G54 X0 Y0 is center left of part) ;
(Z0 is on top of the part) ;
(T1 is a spot drill) ;
(T2 is a drill) ;
(T3 is a tap) ;
(BEGIN PREPARATION BLOCKS) ;
T1 M06 (Select tool 1) ;
G00 G90 G40 G49 G54 (Safe startup) ;
G00 G54 X1.5 Y-0.5 (Rapid to 1st position) ;
S1000 M03 (Spindle on CW) ;
G43 H01 Z1. (Tool offset 1 on) ;
M08 (Coolant on) ;
(BEGIN CUTTING BLOCKS) ;
G81 G99 Z-0.14 R0.1 F7. (Begin G81) ;
M98 P40008 (Call external subprogram) ;
(BEGIN COMPLETION BLOCKS) ;
G00 Z1. M09 (Rapid retract, Coolant off) ;
G53 G49 Z0 M05 (Z home, Spindle off) ;
M01 (Optional stop) ;
(BEGIN PREPARATION BLOCKS) ;
T2 M06 (Select tool 2) ;
G00 G90 G40 G49 G54 (Safe startup) ;
G00 G54 X1.5 Y-0.5 (Rapid to 1st position) ;
S2082 M03 (Spindle on CW) ;
G43 H02 Z1. (Tool offset 1 on) ;
M08 (Coolant on) ;
(BEGIN CUTTING BLOCKS) ;
G83 G99 Z-0.75 Q0.2 R0.1 F12.5 (Begin G83) ;
M98 P40008 (Call external subprogram) ;
(BEGIN COMPLETION BLOCKS) ;
G00 Z1. M09 (Rapid retract, Coolant off) ;
G53 G49 Z0 M05 (Z home, Spindle off) ;
M01 (Optional stop) ;
(BEGIN PREPARATION BLOCKS) ;
T3 M06 (Select tool 3) ;
G00 G90 G40 G49 G54 (Safe startup) ;

```

```

G00 G54 X1.5 Y-0.5 (Rapid to 1st position) ;
S750 M03 (Spindle on CW) ;
G43 H03 Z1. (Tool offset 3 on) ;
M08 (Coolant on) ;
(BEGIN CUTTING BLOCKS) ;
G84 G99 Z-0.6 R0.1 F37.5 (Begin G84) ;
M98 P40008 (Call external subprogram) ;
(BEGIN COMPLETION BLOCKS) ;
G00 Z1. M09 (Rapid retract, Coolant off) ;
G53 G49 Z0 M05 (Z home, Spindle off) ;
G53 Y0 (Y home) ;
M30 (End program) ;
%
```

F5.19: Subprogram Pattern



Subprogram

```

%
O40008 (Subprogram) ;
X0.5 Y-0.75 (2nd position) ;
Y-2.25 (3rd position) ;
```

```

G98 X1.5 Y-2.5 (4th position) ;
  (Initial point return) ;
G99 X3.5 (5th position) ;
  (R plane return) ;
X4.5 Y-2.25 (6th position);
Y-0.75 (7th position) ;
X3.5 Y-0.5 (8th position) ;
M99 (sub program return or loop) ;
%
```

5.10.2 Local Subprogram (M97)

A local subprogram is a block of code in the main program that is referenced several times by the main program. Local subprograms are commanded (called) using an M97 and Pnnnnn, which refers to the N line number of the local subprogram.

The local subprogram format is to end the main program with an M30 then enter the local subprograms after the M30. Each subprogram must have an N line number at the start and a M99 at the end that will send the program back to the next line in the main program.

Local Subprogram Example

```

%
O40009 (Local subprogram ex-prog) ;
  (G54 X0 Y0 is at the top left corner of part) ;
  (Z0 is on top of the part) ;
  (T1 is a spot drill) ;
  (T2 is a drill) ;
  (T3 is a tap) ;
  (BEGIN PREPARATION BLOCKS) ;
T1 M06 (Select tool 1) ;
G00 G90 G40 G49 G54 (Safe startup) ;
X1.5 Y-0.5 (Rapid to 1st position) ;
S1406 M03 (Spindle on CW) ;
G43 H01 Z1. (Tool offset 1 on) ;
M08 (Coolant on) ;
  (BEGIN CUTTING BLOCKS) ;
G81 G99 Z-0.26 R0.1 F7. (Begin G81) ;
M97 P1000 (Call local subprogram) ;
  (BEGIN COMPLETION BLOCKS) ;
G00 Z0.1 M09 (Rapid retract, Coolant off) ;
G53 G49 Z0 M05 (Z home, Spindle off) ;
M01 (Optional stop) ;
  (BEGIN PREPARATION BLOCKS) ;
T2 M06 (Select tool 2) ;
G00 G90 G40 G49 (Safe startup) ;
```

```
G54 X1.5 Y-0.5 (Rapid back to 1st position) ;
S2082 M03 (Spindle on CW) ;
G43 H02 Z1. (Tool offset 2 on) ;
M08(Coolant on) ;
(BEGIN CUTTING BLOCKS) ;
G83 G99 Z-0.75 Q0.2 R0.1 F12.5 (Begin G83) ;
M97 P1000 (Call local subprogram) ;
(BEGIN COMPLETION BLOCKS) ;
G00 Z0.1 M09 (Rapid retract, Coolant off) ;
G53 G49 Z0 M05 (Z home, Spindle off) ;
M01 (Optional stop) ;
(BEGIN PREPARATION BLOCKS) ;
T3 M06 (Select tool 3) ;
G00 G90 G40 G49 (Safe startup) ;
G54 X1.5 Y-0.5 ;
(Rapid back to 1st position) ;
S750 M03 (Spindle on CW) ;
G43 H03 Z1.(Tool offset 3 on) ;
M08(Coolant on) ;
(BEGIN CUTTING BLOCKS) ;
G84 G99 Z-0.6 R0.1 F37.5 (Begin G84) ;
M97 P1000 (Call local subprogram) ;
(BEGIN COMPLETION BLOCKS) ;
G00 Z0.1 M09 (Rapid retract, Coolant off) ;
G53 G49 Z0 M05 (Z home, Spindle off) ;
G53 Y0 (Y home) ;
M30 (End program) ;
(LOCAL subprogram) ;
N1000 (Begin local subprogram) ;
X0.5 Y-0.75 (2nd position) ;
Y-2.25 (3rd position) ;
G98 X1.5 Y-2.5 (4th position) ;
(Initial point return) ;
G99 X3.5 (5th position) ;
(R-plane return) ;
X4.5 Y-2.25 (6th position) ;
Y-0.75 (7th position) ;
X3.5 Y-0.5 (8th position) ;
M99 ;
%
```

5.10.3 External Subprogram Canned Cycle Example (M98)

```
%
O40010 (M98_External sub canned cycle ex) ;
```

```
(G54 X0 Y0 is at the top left of the part) ;
(Z0 is on top of the part) ;
(T1 is a spot drill) ;
(T2 is a drill) ;
(T3 is a tap) ;
(BEGIN PREPARATION BLOCKS) ;
T1 M06 (Select tool 1) ;
G00 G90 G40 G49 G54(Safe startup) ;
X0.565 Y-1.875 (Rapid to 1st position) ;
S1275 M03 (Spindle on CW) ;
G43 H01 Z0.1 (Tool offset 1 on) ;
M08 (Coolant on) ;
(BEGIN CUTTING BLOCKS) ;
G82 Z-0.175 P0.03 R0.1 F10. (Begin G82) ;
M98 P40011 (Call external subprogram) ;
(BEGIN COMPLETION BLOCKS) ;
G00 Z1. M09 (Rapid retract, Coolant off) ;
G53 G49 Z0 M05 (Z home, Spindle off) ;
M01 (optional stop) ;
(BEGIN PREPARATION BLOCKS) ;
T2 M06 (Select tool 2) ;
G00 G90 G40 G49 (Safe startup) ;
G54 X0.565 Y-1.875 ;
(Rapid back to 1st position) ;
S2500 M03 (Spindle on CW) ;
G43 H02 Z0.1 (Tool offset 2 on) ;
M08 (Coolant on) ;
(BEGIN CUTTING BLOCKS) ;
G83 Z-0.72 Q0.175 R0.1 F15. (Begin G83) ;
M98 P40011 (Call external subprogram) ;
(BEGIN COMPLETION BLOCKS) ;
G00 Z1. M09 (Rapid retract, Coolant off) ;
G53 G49 Z0 M05 (Z home, Spindle off) ;
M01 (optional stop) ;
(BEGIN PREPARATION BLOCKS) ;
T3 M06 (Select tool 3) ;
G00 G90 G40 G49 (Safe startup) ;
G54 X0.565 Y-1.875 ;
(Rapid back to 1st position) ;
S900 M03 (Spindle on CW) ;
G43 H03 Z0.1 (Tool offset 3 on) ;
M08 (Coolant on) ;
(BEGIN CUTTING BLOCKS) ;
G84 Z-0.6 R0.2 F56.25 (Begin G84) ;
M98 P40011 (Call external subprogram) ;
G80 G00 Z1. M09 (Cancel canned cycle) ;
(BEGIN COMPLETION BLOCKS) ;
```

```
G00 Z1. M09 (Rapid retract, Coolant off) ;
G53 G49 Z0 M05 (Z home, Spindle off) ;
G53 Y0 (Y home) ;
M30 (End program) ;
%
```

Subprogram

```
%
O40011 (M98_Subprogram X,Y Locations) ;
X1.115 Y-2.75 (2nd position) ;
X3.365 Y-2.875 (3rd position) ;
X4.188 Y-3.313 (4th position) ;
X5. Y-4. (5th position) ;
M99 ;
%
```

5.10.4 External Subprograms With Multiple Fixtures (M98)

Subprograms can be useful when cutting the same part in different X and Y locations within the machine. For example, there are six vises mounted on the table. Each of these vises uses a new X, Y zero. They are referenced in the program using the G54 through G59 work offsets in absolute coordinates. Use an edge finder or an indicator to establish the zero point on each part. Use the part zero set key in the work offset page to record each X, Y location. Once the X, Y zero position for each workpiece is in the offset page, the programming can begin.

The figure shows what this setup would look like on the machine table. For an example, each of these six parts will need to be drilled at the center, X and Y zero.

Main Program

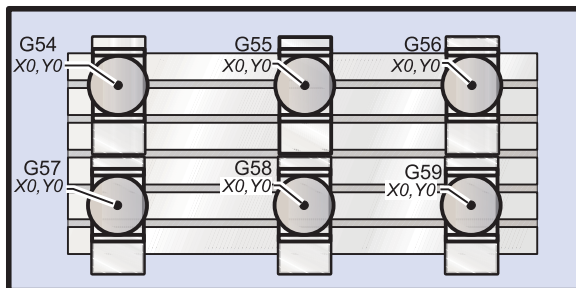
```
%
O40012 (M98_External sub multi fixture);
(G54-G59 X0 Y0 is center of each part) ;
(G54-G59 Z0 is on top of the part) ;
(T1 is a drill) ;
(BEGIN PREPARATION BLOCKS) ;
T1 M06 (Select tool 1) ;
G00 G90 G40 G49 G54(Safe startup) ;
X0 Y0 (Rapid to 1st position) ;
S1500 M03 (Spindle on CW) ;
G43 H01 Z0.1 (Tool offset 1 on) ;
M08 (Coolant on) ;
(BEGIN CUTTING BLOCKS) ;
```



```

M98 P40013 (Call external subprogram) ;
G55 (Change work offset) ;
M98 P40013 (Call external subprogram) ;
G56 (Change work offset) ;
M98 P40013 (Call external subprogram) ;
G57 (Change work offset) ;
M98 P40013 (Call external subprogram) ;
G58 (Change work offset) ;
M98 P40013 (Call external subprogram) ;
G59 (Change work offset) ;
M98 P40013 (Call external subprogram) ;
(BEGIN COMPLETION BLOCKS) ;
G00 Z0.1 M09 (Rapid retract, Coolant off) ;
G53 G49 Z0 M05 (Z home, Spindle off) ;
G53 Y0 (Y home) ;
M30 (End program) ;
%
```

F5.20: Subprogram Multiple Fixture Drawing



Subprogram

```

%
O40013 (M98_Subprogram) ;
X0 Y0 (Move to zero of work offset) ;
G83 Z-1. Q0.2 R0.1 F15. (Begin G83) ;
G00 G80 Z0.2 M09 (Cancel canned cycle) ;
M99 ;
%
```

5.10.5 Setting Up Search Locations

When program calls a subprogram, the control first looks for the subprogram in the active directory. If the control cannot find the subprogram, the control uses Settings 251 and 252 to determine where to look next. Refer to those settings for more information.

To build a list of search locations in Setting 252:

1. In the Device Manager (**[LIST PROGRAM]**), select the directory that you want to add to the list.
2. Press **[F3]**.
3. Highlight the **SETTING 252** option in the menu, and then press **[ENTER]**.

The control adds the current directory to the list of search locations in Setting 252.

To see the list of search locations, look at the values of Setting 252 on the **Settings** page.

5.10.6 More Information Online

For updated information, including tips, tricks, maintenance procedures, and more, visit the Haas Service page at www.HaasCNC.com.

For the most current Operator's and Service Manuals scan the code below with your mobile device:



Chapter 6: Options Programming

6.1 Introduction

In addition to the standard functions included with your machine, you may also have optional equipment with special programming considerations. This section tells you how to program these options.

You can contact your HFO to purchase most of these options, if your machine did not come equipped with them.

6.2 Feature List

The Feature List contains both standard and purchasable options.

F6.1: Features Tab

Parameters, Diagnostics And Maintenance

Diagnostics Maintenance **Parameters**

Features Compensation Activation

Search (TEXT) [F1], or [F1] to clear.

	Feature	Status	Date:
<input type="checkbox"/>	Machine	Feature Disabled	Remaining 5 Days 1 hr
<input checked="" type="checkbox"/>	Macros	Purchased	Acquired 05-20-16
<input checked="" type="checkbox"/>	Rotation And Scaling	Purchased	Acquired 05-20-16
<input checked="" type="checkbox"/>	Rigid Tapping	Purchased	Acquired 05-20-16
<input type="checkbox"/>	TCPC and DWO	Tryout Available	
<input checked="" type="checkbox"/>	M19 Spindle Orient	Purchased	Acquired 05-20-16
<input type="checkbox"/>	High Speed Machining	Tryout Available	
<input checked="" type="checkbox"/>	VPS Editing	Purchased	Acquired 05-20-16
<input checked="" type="checkbox"/>	Fourth Axis	Purchased	Acquired 05-20-16
<input type="checkbox"/>	Fifth Axis	Feature Disabled	Purchase Required
<input checked="" type="checkbox"/>	Max Memory: 1GB	Purchased	Acquired 05-20-16
<input checked="" type="checkbox"/>	Wireless Networking	Purchased	Acquired 05-20-16
<input checked="" type="checkbox"/>	Compensation Tables	Purchased	Acquired 05-20-16
<input type="checkbox"/>	Through Spindle Coolant	Feature Disabled	Purchase Required
<input checked="" type="checkbox"/>	Max Spindle Speed: 8100 RPM	Purchased	Acquired 05-20-16

*Tryout time is only updated while Feature is enabled.

ENTER Turn On/Off Feature **F4** Purchase Feature With Entered Activation Code.

To access the list:

1. Press **[DIAGNOSTIC]**.
2. Navigate to the **Parameters** and then the **Features** tab. (Purchased options are marked in green and their status is set as **PURCHASED**.)

6.2.1 Purchased Options Enable/Disable

To enable or disable a purchased option:

1. Highlight the option on the **FEATURES** tab.
2. Press **[ENTER]** to turn **ON/OFF** the option.

If the featured option is turned **OFF**, the option is not available.

6.2.2 Option Tryout

Some options have a 200-hour tryout available. The **FEATURES** tab Status column shows the options available for tryout.



NOTE:

*If an option does not have a tryout, the Status column shows **FEATURE DISABLED**, and you must purchase the option to use it.*

To start tryout:

1. Highlight the feature.
2. Press **[ENTER]**. Press **[ENTER]** again to disable the option and stop the timer.

The status of the feature changes to **TRYOUT ENABLED**, and the date column shows the remaining hours left in the tryout period. When the tryout period expires, the status changes to **EXPIRED**. You cannot extend the tryout time for expired options. You must purchase them to use them.



NOTE:

Tryout time is only updated while the option is enabled.

6.3 Rotation and Scaling

Rotation lets you rotate a pattern to another location or around a circumference. Scaling reduces or enlarges a toolpath or pattern.

6.4 Visual Programming System (VPS)

VPS lets you quickly build programs from program templates. To access VPS, press **[EDIT]** and then select the **VPS** tab.

F6.2: VPS Starting Screen. [1] Recently Used Templates, [2] Template Directory Window, [3] **[ENTER]** to Load a Template, [4] **[F4]** to Switch Between Recently Used and Template Directory.



In the template directory window, you can choose from the **VPS** or **CUSTOM** directories. Highlight a directory name and press the **[RIGHT]** cursor arrow to see the directory's contents.

The VPS starting screen also lets you choose templates you have recently used. Press **[F4]** to change to the Recently Used window and highlight a template from the list. Press **[ENTER]** to load the template.

6.4.1 VPS Example

When you use VPS, you choose a template for the function you want to program, and then enter variables to create a program. The default templates include probing and part features. You can also create custom templates. Contact the Applications department at your HFO for help with custom templates.

In this example, we use a VPS template to program the engraving cycle from the G47 program example in this manual. The G47 description starts on page 332. VPS templates all work in the same way: You first fill in values for the template variables, and you then output a program.

1. Press **[EDIT]**, and then select the **VPS** tab.
2. Use the cursor arrow keys to highlight the **VPS** menu option. Press the **[RIGHT]** cursor arrow key to select the option.
3. Highlight and select the **Engraving** option from the next menu.

F6.3: VPS Engraving Program Generation Window Example. [1] Variable Illustration, [2] Variables Table, [3] Variable Description Text, [4] Template Illustration, [5] Generate G-code **[F4]**, [6] Run in MDI **[CYCLE START]**, [7] Clear **[ORIGIN]**, [8] Default value was changed indicator.

Variable	Value	Ranges
WORK_OFFSETS	55.	
T	0	[1 - 200]
S	0	[50 - 12000]
F	0.0	[0.25 - 833.0]
M8	1	0 1
X	0.	[-30.0 - 30.0]
Y	0.	[-20.0 - 20.0]
R	0.1	[1.0 - -1.0]
Z	0.	[1.0 - 0.1]
P	0	0 1
J	0.25	[0.01 - 10.0]

Enter the Work Offset Number (54 = G54, 154.01 = G154 P1).

4. In the Program Generation window, use the **[UP]** and **[DOWN]** cursor arrow keys to highlight the variable rows.
5. Type a value for the highlighted variable and press ENTER. The control will display an asterisk (*) next to variable if the default value is changed. To set the variable back to default press the **[ORIGIN]** button. Press the DOWN cursor arrow key to move to the next variable.

To generate the example engraving cycle, we use these variable values. Note that all of the position values are given in work coordinates.

Variable	Description	Value
WORK_OFFSETS	Work Offset Number	54
T	Tool Number	1
S	Spindle Speed	1000
F	Feedrate	15.
M8	Coolant (1 - YES / 0 - NO)	1
X	Starting X Position	2.
Y	Starting Y Position	2.
R	R-Plane Height	0.05
Z	Z Depth	-0.005
P	Text or Serial Number Switch (0 - Text, 1 - Serial Number)	0
J	Text Height	0.5
I	Text Angle (Degrees from Horizontal)	45.
TEXT	Text to Engrave	TEXT TO ENGRAVE

6. With all of the variables entered, you can press **[CYCLE START]** to immediately run the program in MDI, or F4 to output the code to either the clipboard or MDI without running the program.

This VPS template creates a program with the specified variables to engrave the text:

```
%  
O11111 ;  
  (Engraving) ;  
  ( TOOL 1 ) ;  
  ( SPINDLE 1000 RPM / FEED 15. ) ;  
  ( DEPTH -0.005 ) ;  
T1 M06 ;  
G00 G90 G54 X2. Y2. S1000 M03 ;  
G43 Z0.05 H1 ;  
M08 ;  
G00 G90 G54 X2. Y2. ;  
  ( TEXT ENGRAVING : TEXT TO ENGRAVE ) ;  
G47 E7.5000 F15. I45. J.5 P0 R0.05 Z-0.005 (TEXT TO ENGRAVE) ;  
G0 Z0.05 M09 ;  
M05 ;  
G91 G28 Z0. ;  
G91 G28 Y0. ;  
M01 ( END ENGRAVING ) ;  
%
```

6.5 Rigid Tapping

This option synchronizes the spindle's RPM with the feedrate during a tapping operation.

6.6 M19 Spindle Orientation

The Spindle Orientation lets you position the spindle to a programmed angle. This option provides inexpensive, accurate positioning. For more information about M19, refer to page 415.

6.7 High-Speed Machining

The Haas high-speed machining option allows faster feedrates and more complex toolpaths. HSM uses a motion algorithm called Acceleration Before Interpolation combined with full look-ahead to provide contouring feeds up to 1200 ipm (30.5 m/min) without risk of distortion to the programmed path. This reduces cycle times, improves accuracy, and smooths motion.

6.8 Additional Memory Options

This option expands the on-board solid-state memory and allows the control to store, run, and edit large programs directly at the machine.

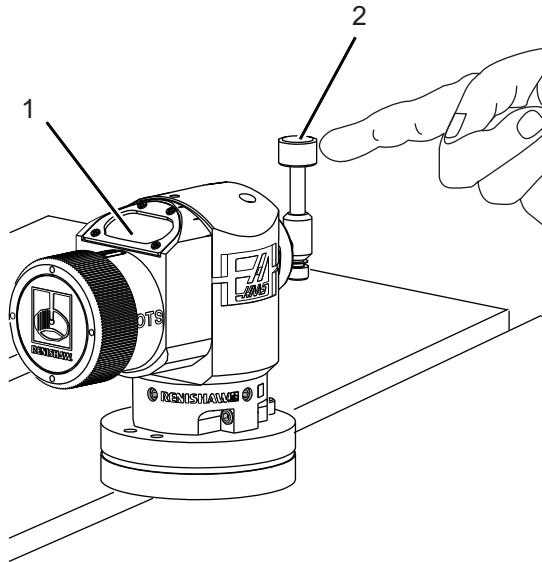
6.9 Probing

You can use an optional probe system to set offsets, check work, measure tools, and check tools. This section describes basic probe use and troubleshooting.

6.9.1 Check Tool Probe

Do these steps to make sure the tool probe operates correctly:

F6.4: Tool Probe Test



1. In MDI mode, run:

```
M59 P2 ;  
G04 P1.0 ;  
M59 P3 ;
```

This turns on tool probe communication, delays one second, and turns on the tool probe. The LED [1] on the tool probe flashes green.

2. Touch the stylus [2].

The machine makes a "beep" sound and the LED becomes red [1]. This tells you that the tool probe is started.

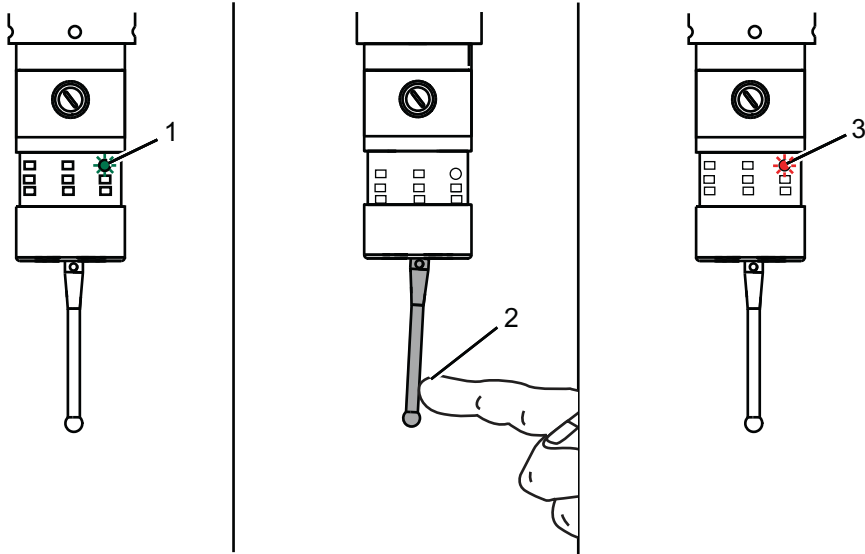
3. Press **[RESET]** to deactivate the probe.

The probe LED [1] turns off.

6.9.2 Check Work Probe

Do these steps to make sure the work probe operates correctly:

F6.5: Work Probe Test



1. Select the work probe with a tool change, or manually insert the work probe into the spindle.
2. In MDI mode, run `M69 P2 ;`
This starts communication with the work probe.
3. in MDI mode: run `M59 P3 ;`
The probe LED flashes green [1].
4. Touch the stylus [2].
The machine makes a "beep" sound and the LED becomes red [3]. This tells you that the work probe is started.
5. Press **[RESET]** to deactivate the probe.
The work probe LED turns off [1].

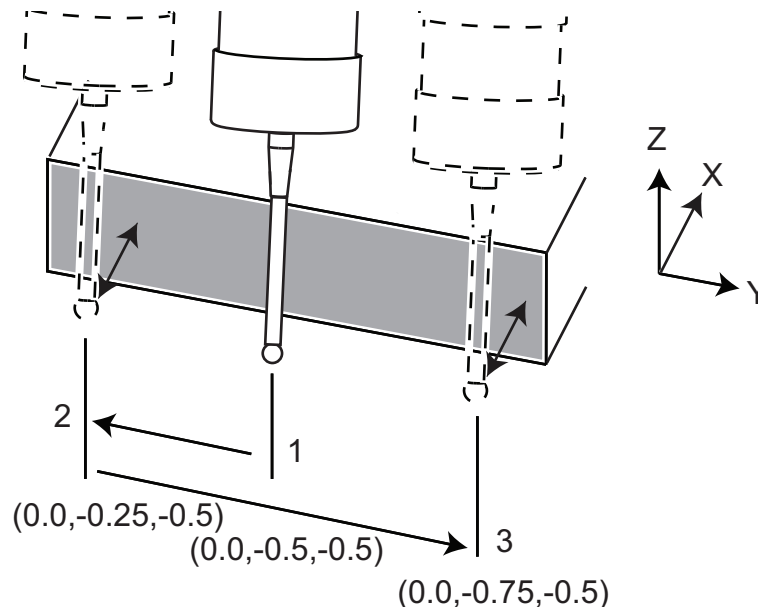
6.9.3 Probe Example

You can use a probe to check your part for correct dimensions during the machining process. For example, this program uses the work probe to check for squareness. The program uses G65 to call 9XXXXX macro programs created specifically for probing. You can find more information on these programs in the Renishaw manuals on the web at www.haascnc.com then click on the Service tab.

The program does the following:

1. After a tool change, home, and adding tool length compensation, the system turns on the work probe and moves to a safe start location.
2. The probe stylus moves adjacent to the surface at the required Z-Axis point to provide a central start position [1].
3. The cycle makes two measurements, symmetrically about the start position, to establish the surface angle [2], [3].
4. Finally, the probe stylus moves to its safe out position, turns off the probe, and returns home.

F6.6: Check for Square: [1] Safe Move Position, [2] First Measurement, [3] Second Measurement



Example:

```
%
O00010 (CHECK FOR SQUARE) ;
T20 M06 (PROBE) ;
```

```

G00 G90 G54 X0. Y0. ;
G43 H20 Z6. ;
G65 P9832 (WORK PROBE ON) ;
G65 P9810 Z-0.5 F100. (SAFE MOVE) ;
G65 P9843 Y-0.5 D0.5 A15. (ANGLE MEAS.) ;
G65 P9810 Z6. F100. (SAFE OUT) ;
G65 P9833 (WORK PROBE OFF) ;
G00 G90 G53 Z0. ;
M01 ;
;
;
( PART PROGRAM ) ;
G00 G90 G54 X0. Y0. ;
T2 M06 (1/2" END MILL) ;
G00 G90 G43 H02 Z1.5 ;
G68 R#189 ;
G01 X-2. F50. ;
M30 ;
%
```

6.9.4 Probe Use with Macros

Macro statements select and turn on and off the probe the same as M-codes.

T6.1: Probe Macro Values

M-Code	System Variable	Macro Value	Probe
M59 P2 ;	#12002	1.000000	Tool Probe Selected
M69 P2 ;	#12002	0.000000	Work Probe Selected
M59 P3 ;	#12003	1.000000	Probe Enable
M69 P3 ;	#12003	0.000000	Probe Disable

If you assign the system variable to a viewable global variable, you can see the macro value change in the **Macro Vars** tab under **[CURRENT COMMANDS]**.

For example,

```

M59 P3 ;
#10003=#12003 ;
```

The global variable #10003 shows the output from M59 P3 ; as 1.000000. This means that either the tool probe or work probe is on.

6.9.5 VPS Probe Operations

VPS offers templates to simplify probe operations in (3) categories: Tool Setting, Spindle Probe, and Calibration. Select PROBING in the VPS menu and then select a template. Fill in the variable fields to generate the probing code. Refer to the VPS section of this manual, starting on page 223, for more information on using VPS templates.

VPS Probe Example (Complete Probe Calibration)

F6.7: Complete Probe Calibration Screen

Program Generation

Editor VPS

1. Complete Probe Calibration



JOG OVER
PRE-SETTER

0.25"
(7mm)

Run in MDI [CYCLE START]
Generate Gcode [F4]
Reset [ORIGIN]
Devices [F2]
Jog Axis+ [HAND JOG]

Axis: Z Machine: 0.0000

Variable	Value	Ranges
JOG_ABOVE_TOOL_SETTER	Press [Z] + [HANDLE JOG] keys	
LENGTH	5.0	[1.0 - 15.0]
DIAMETER	0.5	[0.1 - 3.0]
CALIBRATION_TOOL_NUMBER	0	[1 - 200]
ORIENTATION	3	0 1 2 3
PROBE_TOOL_NUMBER	0	[1 - 200]

Press [Z] + [HANDLE JOG] keys to jog calibration tool above tool probe

To calibrate the tool probe:

1. In VPS, select **PROBING > CALIBRATION > Complete Probe Calibration**.
2. Go to each variable and enter the correct value per the screen instructions.
3. Press **[CYCLE START]** to run the program, or F4 to generate the code to the clipboard or MDI.

6.9.6 Probe Troubleshooting

If you cannot get the tool or work probe to beep or flash, do these steps:

1. In **[MDI]** mode, run `M69 P2 ;` to select the spindle work probe or `M59 P2 ;` to select the table tool probe.
2. Run `M59 P3 ;` to make the probe flash.
3. To check the I/O values for the probe, press **[DIAGNOSTIC]** and select the **Diagnostics** tab, then the **I/O** tab.
4. Type `PROBE` and press **[F1]** to search for I/O items that contain the word “probe.”
5. Check the table for proper probe values. For example, `Output 2` with a value of 0 selects the work probe.

Type	Number	M-code	Name	Value	Probe
OUTPUT	2	<code>M69 P2 ;</code>	PROBE_SELECT_TO_PROBE	0	work
OUTPUT	2	<code>M59 P2 ;</code>	PROBE_SELECT_TO_PROBE	1	tool
OUTPUT	3	<code>M69 P3 ;</code>	PROBE_ENABLE_TO_PROBE	0	Off
OUTPUT	3	<code>M59 P3 ;</code>	PROBE_ENABLE_TO_PROBE	1	flashing

6. If you are using the correct I/O values in your programs, but the probe does not flash or beep, check the batteries in the probes, and then check the wired connections to the control.

6.10 Maximum Spindle Speed

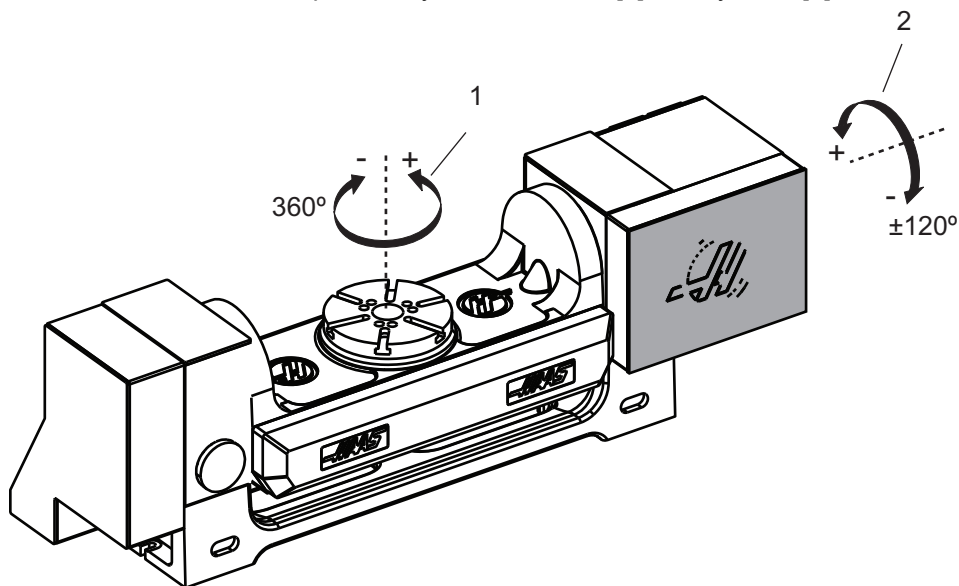
This option increases the maximum speed at which you can run the machine spindle.

6.11 Compensation Tables

With this option, the control stores a compensation table to correct for small errors in the rotary worm gear, as well as small errors in X, Y, and Z.

6.12 4th and 5th Axis Programming

F6.8: Axis Motion on an Example Rotary Trunnion Unit: [1] Rotary Axis, [2] Tilt Axis



6.12.1 New Rotary Configuration

When you install a rotary unit to your machine, you must:

- Designate the correct rotary model so that the machine control can load the correct parameters.
- Assign an axis letter (A, B, or C) to each new axis.
- Tell the machine which physical connection (4th or 5th axis) to use for each axis.

You do these tasks on the Rotary Selection page:

1. Press **[SETTING]**.
2. Select the **Rotary** tab.



NOTE:

Make sure the machine is not in Hand Jog mode when you go to the Rotary Selection page. The control does not allow changes to rotary configuration in Hand Jog mode.

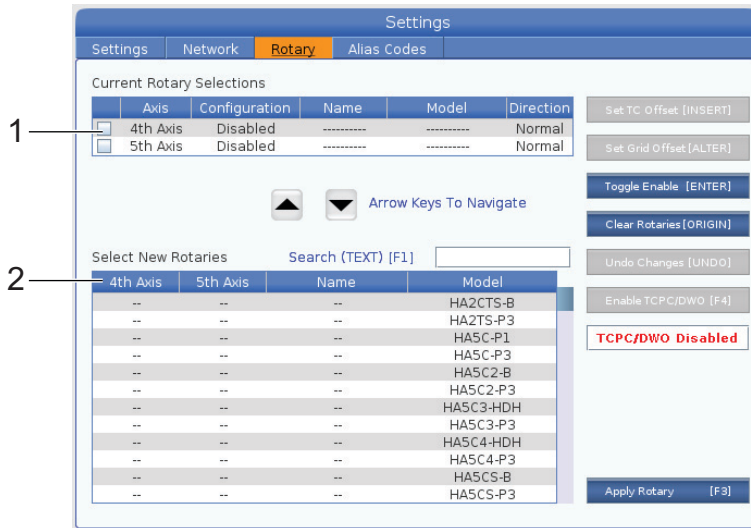
When you go to the Rotary Selection page to install a rotary unit for the first time, both the 4th and 5th axes are disabled and have no rotary model selections. This process assigns a rotary model axis, and an axis letter, to the 4th and 5th axes.



NOTE:

To use Tool Center Point Control (TCPC) and Dynamic Work Offsets (DWO), your axis definitions and rotary installation must match the ANSI standard, where the A, B, and C Axes each rotate about the X, Y, and Z Axes, respectively. Refer to page 395 for more information about TCP. Refer to page 401 for more information about DWO.

F6.9: Rotary Selections Page. [1] Current Rotary Selections, [2] Select New Rotaries Table.



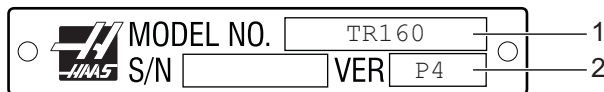
Rotary Model Selection

In this procedure, you select your particular rotary model from the list of models in the control, so that the control can load the correct parameters for that unit. In this example, we have a TR160 unit installed on the table, with the tilt axis parallel to X.

We want to configure both the rotary (platter) and tilt (trunnion) axes. The rotary axis is physically connected to the 5th axis at the control cabinet. We want to designate the rotary axis c. The tilt axis is physically connected to the 4th axis at the control cabinet. We want to designate the tilt axis **A**.

1. Find the nameplate on your rotary unit. Record the values in the “MODEL NO.” (model number) and “VER” (version) fields. On our example nameplate, we find that the model number is **TR160**, and the version is **P4**.

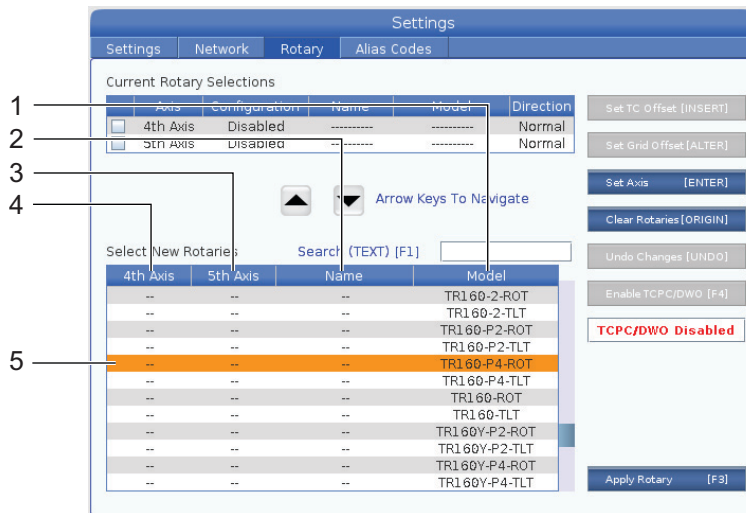
F6.10: Example rotary nameplate. [1] Model Number, [2] Version



- On the Rotary Selection page, use the **[CURSOR]** keys or the jog handle to browse the list of rotary models to find your model.

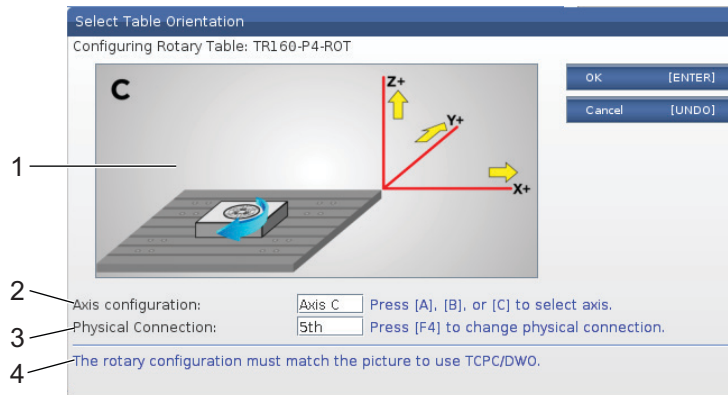
Dual-axis rotary units have two entries in the list: one for the rotary axis (**ROT**), and one for the tilt axis (**TLT**). Be sure to select the rotary model that matches both the model number and version on the nameplate. In the example below, the cursor highlights the rotary axis of the model that matches our example nameplate (**TR1 60-P4-ROT**).

- F6.11:** Rotary Selection Example. [1] Model Column, [2] Name Column, [3] Fifth Axis Column, [4] Fourth Axis Column, [5] Current Selection (Highlighted).



- Press **[ENTER]**. The **Select Table Orientation** window appears.

- F6.12:** The **Select Table Orientation** Window. [1] Orientation Example Image, [2] Axis Configuration (Letter Assignment), [3] Physical Connection, [4] The Rotary Configuration Must Match the Picture to use TCPC/DWO.



- Press **[A]**, **[B]**, or **[C]** to change the axis letter.

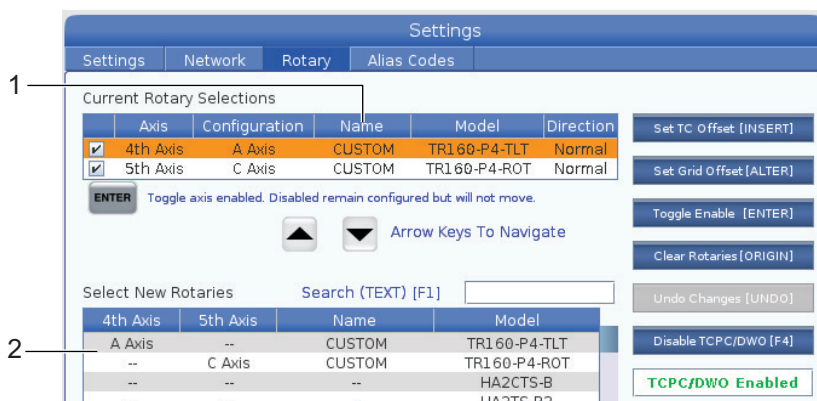
5. Press **[F4]** to toggle the physical connection setting between 4th and 5th.
6. Press **[ENTER]** to save the configuration to the **Select New Rotaries** table, or press **[UNDO]** to cancel.
7. Repeat steps 2-6 for the tilt axis, if applicable. In this example, we would now set up the TR160 tilt axis (**TR160-P4-TLT**).
8. After you complete the axis configuration, press **[EMERGENCY STOP]**, and then press **[F3]** to apply the rotary parameters.
9. Cycle power.

Custom Rotary Configurations

When you change a tool change offset or grid offset for an installed rotary, the control saves this information as a custom rotary configuration. You give this configuration a name that appears in the **Name** column of the **Current Rotary Selections** and **Select New Rotaries** tables.

The control keeps the default values in the base configuration and makes your custom configuration an option in the list of available rotaries. After you define a custom configuration for an axis, the control saves future changes to the same custom configuration name.

F6.13: Custom Rotary Configurations [1] In the **Current Rotary Selections** Table, and [2] in the **Select New Rotaries** Table.

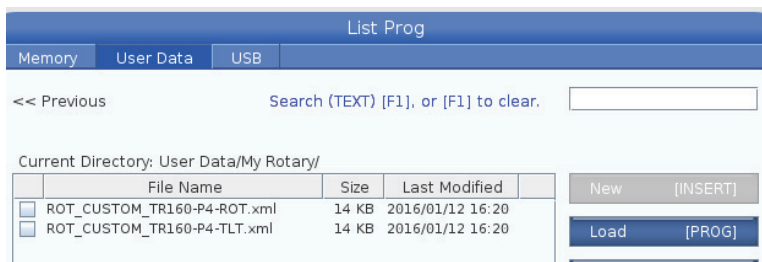


The custom rotary configurations appear as options in the **Select New Rotaries** table. You can select them in the same way you would select a base rotary configuration. You can also save more than one custom configuration for the same rotary unit:

1. Start again with the base configuration of the installed rotary.
2. Configure the TC offset and grid offsets as needed.
3. Save this configuration with a new name.

You can also transfer custom rotary configurations to other machines. The control saves custom rotary files in the **User Data / My Rotary** folder in the Device Manager (**[LIST PROGRAM]**). You can transfer these files to the **User Data / My Rotary** folder on a different machine to make those configurations available in the **Select New Rotaries** table on that machine.

F6.14: Custom Rotary Files in the **User Data** Tab



Rotary Tool Change Offset

After you define a rotary unit's axes in your machine control, you can set the tool change offset. This defines axis positions that put the rotary platter perpendicular to its defined axis.

1. In Handle Jog mode, jog the axes to make the platter face perpendicular to its defined axis. Use an indicator to verify perpendicularity.
2. Press **[SETTING]** and select the **Rotary** tab.
3. Highlight one of the axes in the **Current Rotary Selections** table.
4. Press **[INSERT]** to define the current axis position as the tool change offset position.
5. Type a name for your custom configuration, if prompted. You will see a prompt for a configuration name only when you make changes to a base configuration for the first time. Otherwise, the control saves your changes to the current custom configuration.

Rotary Grid Offset

You use the rotary grid offset to set new zero positions for your rotary unit.

1. In Handle Jog mode, jog the axes to the positions you want to use as the offset positions.
2. Press **[SETTING]** and select the **Rotary** tab.
3. Highlight one of the axes in the **Current Rotary Selections** table.
4. Press **[ALTER]** to define the current axis positions as the grid offset positions.
5. Type a name for your custom configuration, if prompted. You will see a prompt for a configuration name only when you make changes to a base configuration for the first time. Otherwise, the control saves your changes to the current custom configuration.

Disabling and Enabling Rotary Axes

A disabled rotary axis does not move, but it stays configured. Disabling a rotary axis is a good way to temporarily stop using a rotary axis without removing it completely from the machine.



NOTE:

You can also disable and enable built-in rotary axes this same way.

Enabled rotary axes appear with a filled-in checkbox in the **Current Rotary Selections** table.

F6.15: [1] Enabled Rotary Axis, [2] Disabled Rotary Axis.

Current Rotary Selections						
	Axis	Configuration	Name	Model	Direction	
1	<input checked="" type="checkbox"/>	4th Axis	A Axis	Base	TR160-P4-TLT	Normal
2	<input type="checkbox"/>	5th Axis	C Axis	Base	TR160-P4-ROT	Normal

ENTER Toggle axis enabled. Disabled remain configured but will not move.

1. Highlight the axis you want to disable or enable.
2. Press **[EMERGENCY STOP]**.
3. Press **[ENTER]**.



NOTE:

*The control must not be in Jog mode when you disable an axis. If you get a *Wrong Mode* message, press **[MEMORY]** to change modes, and then press **[SETTING]** to return to the Rotary page.*

The control toggles the enabled state of the rotary axis.

4. Release **[EMERGENCY STOP]** to continue operation.

6.12.2 TCPC/DWO Activation

You can use Tool Center Point Control (TCPC) and Dynamic Work Offsets (DWO) if your rotary configuration is correct, and you have correctly set Machine Rotary Zero Point (MRZP) settings (255-257). Refer to page **395** for more information about TCPC. Refer to page **401** for more information about DWO.



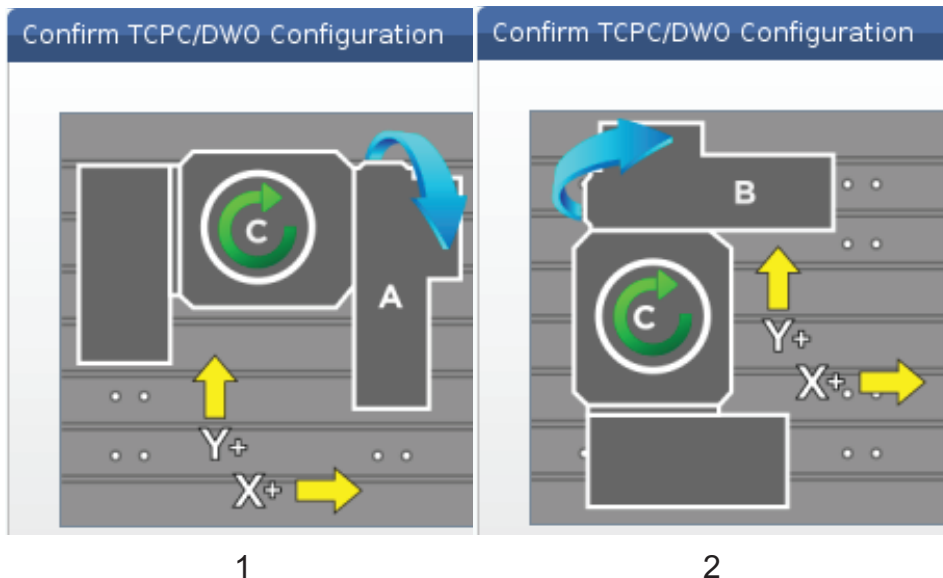
NOTE:

To use Tool Center Point Control (TCPC) and Dynamic Work Offsets (DWO), your axis definitions and rotary installation must match the ANSI standard, where the A, B, and C Axes each rotate about the X, Y, and Z Axes, respectively. When you activate TCPC/DWO, you must confirm that your configuration is correct.

1. On the **Rotary** page, press **[F4]**.

The **Confirm TCPC/DWO Configuration** pop-up window appears.

- F6.16:** Confirm TCPC/DWO Configuration Pop-up Window. [1] A- and C-Axis Configuration, [2] B- and C-Axis Configuration



2. If your rotary configuration matches the diagram, press **[ENTER]** to confirm so. This activates TCPC/DWO.

If your configuration does not match the diagram, you must adjust it to match; for example, you may need to redefine the axis letters or change the rotary unit's orientation.

3. After you activate TCPC/DWO, press F3 to save the rotary configuration. If you do not save the configuration, then TCPC/DWO is deactivated when you turn off the machine.

6.12.3 Machine Rotary Zero Point (MRZP)

The Machine Rotary Zero Point (MRZP) Offsets are control settings that define the centers of rotation for the rotary table relative to the home positions of the linear axes. The control uses the MRZP for Tool Center Point Control (TCPC) and Dynamic Work Offsets (DWO) for 4th- and 5th-axis machining. MRZP uses Settings 255, 256, and 257 to define the zero point.

255 – Machine Rotary Zero Point X Offset

256 – Machine Rotary Zero Point Y Offset

257 – Machine Rotary Zero Point Z Offset

The value stored in each of these settings is the distance from the home position of a linear axis to the center of rotation of a rotary axis. The units are in current machine units (as defined by Setting 9).



NOTE:

In machines with built-in 4th and 5th axes, such as the UMC-750, the initial MRZP offsets are set at the factory. You do not have to set initial values for these machines.

You do the MRZP adjustment procedures when:

- You install a new rotary unit in a mill, and you want to use TCPC/DWO.
- The machine has been crashed.
- The machine's level has changed.
- You want to make sure that the MRZP settings are correct.

MRZP adjustment consists of (2) stages: rough and finish. The rough stage establishes MRZP values that the control uses for the finish stage. Generally, you do the rough stage only at new installations, or when you are not sure if the current MRZP settings are close enough to correct for the finish set procedure.

Both the rough and finish MRZP procedures use the work probe to generate values in macro variables, which you then transfer to the correct settings. You must change the values manually because the setting values cannot be set via macro. This protects them from accidental change in the middle of a program.

**NOTE:**

These instructions assume that the probe system is installed and correctly calibrated.

MRZP Rough Set

This procedure establishes basic values for MRZP, which you then refine with the finish set process.

**NOTE:**

You should do this procedure only at new rotary installations, or when you are unsure if your current MRZP values are close enough to do the finish set procedure.

To do this procedure, you need to know the diameter of the center bore in your rotary platter.

1. Load or command the work probe into the spindle.
2. Jog the probe tip to approximately 0.4" (10 mm) above the approximate center of the ring gauge or bored hole.
3. Press **[EDIT]**.
4. Select the **VPS** tab, then use the **[RIGHT]** cursor arrow key to select **Probing, Calibration, MRZP Calibration,** and then **MRZP Rough Set**.
5. Highlight variable **C**, and then type the diameter of the ring gauge or bored hole. Press **[ENTER]**.
6. Highlight variable **H**, and then type the approximate distance between the rotary platter surface and the trunnion's center of rotation. Press **[ENTER]**.

**NOTE:**

This distance is approximately 2" on a UMC-750; refer to your rotary unit's layout drawing to find this dimension for other units, or follow the procedure on page 246.

7. Press **[CYCLE START]** to immediately run the probe program in MDI, or press **[F4]** to choose to output the probing program to the clipboard or MDI to run later.
8. When the probing program runs, it automatically places values in macro variables #10121, #10122, and #10123. These variables show the machine rotary zero point axis travel distance from the home position in the X, Y, and Z Axes. Record the values.



NOTE:

*Press [CURRENT COMMANDS] and select the **Macro Vars** tab to view the variables. When the cursor is in the window, you can type a macro variable number and press the [DOWN] cursor arrow key to jump to that variable.*

9. Enter the values from macro variables #10121, #10122, and #10123 into Settings 255, 256, and 257, respectively.
10. Do the Finish MRZP Set procedure.

MRZP Finish Set

Follow this procedure to get final values for the MRZP settings. You can also use this procedure to check your current setting values against new readings, to make sure the current values are correct.

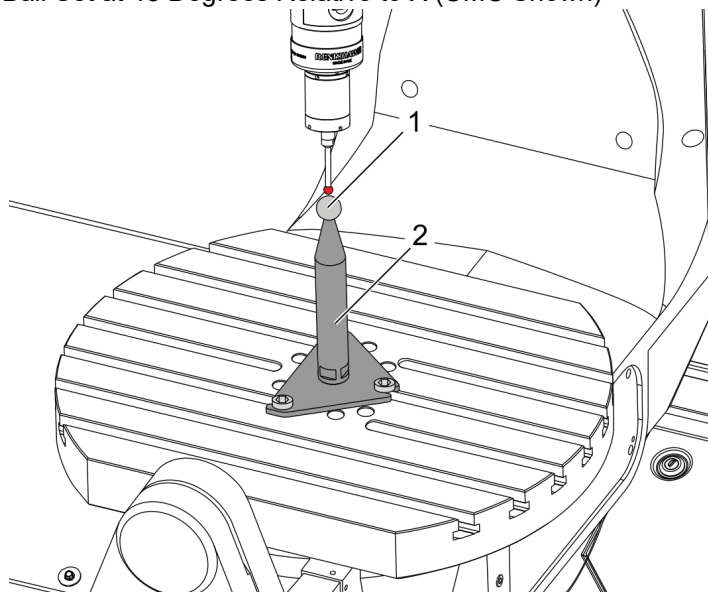
If you want to use this procedure to check your current setting values, make sure that the setting values you start with are close to correct to begin with. Values of zero generate an alarm. If the settings are too far off, the probe will not contact the gauge ball when it rotates positions during the cycle. The MRZP rough set process establishes appropriate starting values, so if you are unsure of the current values, you should do the MRZP rough set process first.

To do this procedure, you need a gauge ball with a magnetic base.

1. Place the gauge ball on the table.

IMPORTANT:

So that the gauge ball post does not interfere with the probe, position the ball post at an angle of approximately 45 degrees to the X Axis.

F6.17: Gauge Ball Set at 45 Degrees Relative to X (UMC Shown)

2. Load or command the work probe into the spindle.
3. Position the work probe above the tooling ball.
4. Press **[EDIT]**.
5. Select the **vPS** tab, then use the **[RIGHT]** cursor arrow key to select **Probing, Calibration, MRZP Calibration, and then MRZP Finish Set.**
6. Highlight variable **B**, and then type the gauge ball diameter. Press **[ENTER]**.
7. Press **[CYCLE START]** to immediately run the probe program in MDI, or press **[F4]** to choose to output the probing program to the clipboard or MDI to run later.
8. When the probing program runs, it automatically places values in macro variables #10121, #10122, and #10123. These variables show the machine rotary zero point axis travel distance from the home position in the X, Y, and Z Axes. Record the values.

**NOTE:**

*Press **[CURRENT COMMANDS]** and select the **Macro Vars** tab to view the variables. When the cursor is in the variable list, you can type a macro variable number and press the **[DOWN]** cursor arrow key to jump to that variable.*

9. Enter the values from macro variables #10121, #10122, and #10123 into Settings 255, 256, and 257, respectively.

6.12.4 Creating Five-Axis Programs

Offsets

1. Press **[OFFSET]** and select the **WORK** tab.
2. Jog the axes to the zero point of the workpiece. Refer to page **171** for jogging information.
3. Highlight the axis and offset number.
4. Press **[PART ZERO SET]** and the current machine position is automatically stored in that address.

**CAUTION:**

If you use automatically generated tool length offsets, you should leave the Z-Axis work offset values at zero. Nonzero Z-Axis work offset values interfere with automatically generated tool length offsets, and can cause a machine crash.

5. The X and Y work coordinate offsets are always given as negative values from machine zero. Work coordinates are entered into the table as a number only. To enter an X value of $X-2.00$ into G54, highlight the **X Axis** column in the **G54** row, type -2.0 , and press **[F1]** to set the value.

Five-Axis Programming Notes

Program approach vectors (moving tool paths) to the workpiece at a safe distance above or to the side of the workpiece. This is important when you program the approach vectors with a rapid move (G00), because the axes arrive at the programmed position at different times; the axis with shortest distance from target arrives first, and longest distance last. However, a linear move at a high feed rate forces the axes to arrive at the commanded position at the same time, avoiding the possibility of a crash.

G-codes

G93 inverse time feed mode must be in effect for simultaneous 4- or 5-axis motion; however, if your mill supports Tool Center Point Control (G234), you may use G94 (feed per minute). Refer to G93 on page **368** for more information.

Limit the post processor (CAD/CAM software) to a maximum G93 F value of 45000. This is the maximum allowable feedrate in G93 inverse time feed mode.

M-codes

IMPORTANT: *When doing any non 5-axis motion, engage the rotary axes brakes. Cutting with the brakes off causes excessive wear in the gear sets.*

M10/M11 engages/disengages the fourth axis brake.

M12/M13 engages/disengages the fifth axis brake.

When in a 4 or 5 axis cut, the machine pauses between blocks. This pause is due to the Rotary Axes brakes releasing. To avoid this dwell and allow for smoother program execution, program an M11 and/or M13 before the G93. The M-codes disengage the brakes, resulting in a smoother and uninterrupted flow of motion. Remember that if the brakes are never re-engaged, they remain off indefinitely.

Settings

Settings used for 4th and 5th axis programming include:

For the 4th axis:

- Setting 34 - 4th Axis Diameter

For the 5th axis:

- Setting 79 - 5th-Axis Diameter

For the Axis mapped to the 4th or 5th Axis:

- Setting 48 - Mirror Image A-Axis
- Setting 80 - Mirror Image B-Axis
- Setting 250 - Mirror Image C-Axis

Setting 85 - Maximum Corner Rounding should be set to 0.0500 for 5-axis cutting. Settings lower than 0.0500 move the machine closer to an exact stop and cause uneven motion.

You can also use G187 Pn Ennnn to set the smoothness level in the program to slow the axes down. G187 temporarily overrides Setting 85. Refer to page 395 for more information.

Jogging the 4th and 5th Axes

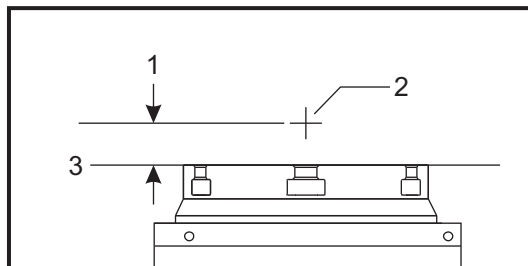
Jogging the rotary axes works like jogging the linear axes: you select an axis and a jog rate, and then you use the jog handle or jog keys to move the axis. In Hand Jog mode, press the **[+A/C +B]** or **[-A/C -B]** jog key to select the 4th axis. To select the 5th axis, press **[SHIFT]** and then **[+A/C +B]** or **[-A/C -B]**.

The control remembers the last rotary axis you selected, and **[+A/C +B]** or **[-A/C -B]** continue to select that axis until you select the other axis. For example, after you select the 5th axis as described above, each time you press **[+A/C +B]** or **[-A/C -B]** selects the 5th axis for jogging. To select the 4th axis again, press **[SHIFT]** and then **[+A/C +B]** or **[-A/C -B]**. Now, each subsequent press of **[+A/C +B]** or **[-A/C -B]** selects the 4th axis.

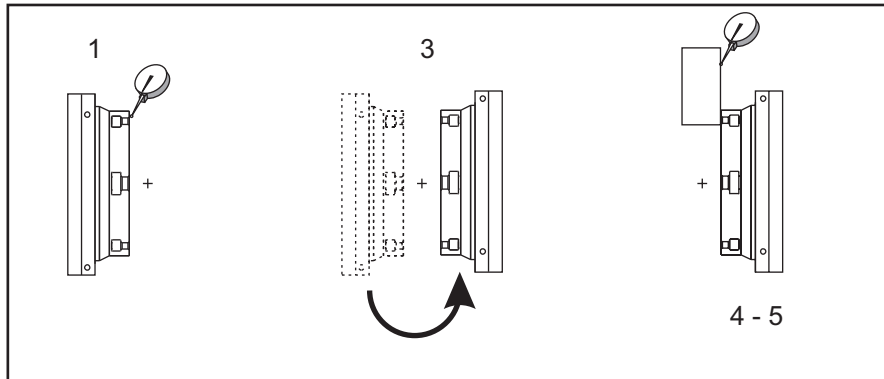
6.12.5 Tilt Axis Center-of-Rotation Offset (Tilting Rotary Products)

This procedure determines the distance between the plane of the rotary axis platter and the tilt axis centerline on tilting rotary products. Some CAM software applications require this offset value. You also need this value to rough-set the MRZP offsets. Refer to page 241 for more information.

F6.18: Tilt Axis Center-of-Rotation Offset Diagram (side view): [1] Tilt Axis Center-of-Rotation Offset, [2] Tilt Axis, [3] Plane of the Rotary Axis Platter.



F6.19: Tilt Axis Center-of-Rotation Illustrated Procedure. Numeric labels in this diagram correspond to the step numbers in the procedure.



1. Jog the tilt axis until the rotary platter is vertical. Attach a dial indicator to the machine spindle (or other surface independent of table motion) and indicate the platter face. Set the dial indicator to zero.



NOTE:

The rotary unit's orientation on the table determines which linear axis to jog in these steps. If the tilt axis is parallel to the X Axis, use the Y Axis in these steps. If the tilt axis is parallel to the Y Axis, use the X Axis in these steps.

2. Set the X- or Y-Axis operator position to zero.
3. Jog the tilt Axis 180 degrees.
4. Indicate the platter face from the same direction as the first indication:
 - a. Hold a 1-2-3 block against the platter face.
 - b. Indicate the face of the block that rests against the platter face.
 - c. Jog the X or Y Axis to zero the indicator against the block.
5. Read the new X- or Y-Axis operator position. Divide this value by 2 to determine the tilt axis center-of-rotation offset value.

6.13 Macros (Optional)

6.13.1 Macros Introduction



NOTE:

This control feature is optional; call your HFO for information on how to purchase it.

For the most current Macros information scan the code below with your mobile device:

F6.20: Mill Interactive Operator's Manual - Macros Chapter



Macros add capabilities and flexibility to the control that are not possible with standard G-code. Some possible uses are: families of parts, custom canned cycles, complex motions, and driving optional devices. The possibilities are almost endless.

A Macro is any routine/subprogram that you can run multiple times. A macro statement can assign a value to a variable, read a value from a variable, evaluate an expression, conditionally or unconditionally branch to another point within a program, or conditionally repeat some section of a program.

Here are a few examples of the applications for Macros. The examples are outlines and not complete macro programs.

- **Tools For Immediate, On-Table Fixturing** - You can semi-automate many setup procedures to assist the machinist. You can reserve tools for immediate situations that you did not anticipate in your application design. For instance, suppose a company uses a standard clamp with a standard bolt hole pattern. If you discovered, after setup, that a fixture needs an additional clamp, and suppose that you programmed macro subprogram 2000 to drill the bolt pattern of the clamp, then you only need this two-step procedure to add the clamp to the fixture:
 - a) Jog the machine to the X, Y, and Z coordinates and angle where you want to place the clamp. Read the position coordinates from the machine display.
 - b) Execute this command in MDI mode:

```
G65 P2000 Xnnn Ynnn Znnn Annn ;
```

where *nnn* are the coordinates determined in Step a). Here, macro 2000 (P2000) does the work since it was designed to drill the clamp bolt hole pattern at the specified angle of A. Essentially, this is a custom canned cycle.

- **Simple Patterns That Are Repeated**- You can define and store repeated patterns with macros. For example:
 - a) Bolt hole patterns
 - b) Slotting
 - c) Angular patterns, any number of holes, at any angle, with any spacing
 - d) Specialty milling such as soft jaws
 - e) Matrix Patterns, (e.g. 12 across and 15 down)
 - f) Fly-cutting a surface, (e.g. 12 inches by 5 inches using a 3 inch fly cutter)
- **Automatic Offset Setting Based On The Program** - With macros, coordinate offsets can be set in each program so that setup procedures become easier and less error-prone (macro variables #2001-2800).
- **Probing** - Using a probe enhances the capabilities of the machine, some examples are:
 - a) Profiling of a part to determine unknown dimensions for machining.
 - b) Tool calibration for offset and wear values.
 - c) Inspection prior to machining to determine material allowance on castings.
 - d) Inspection after machining to determine parallelism and flatness values as well as location.

Useful G and M Codes

M00, M01, M30 - Stop Program

G04 - Dwell

G65 Pxx - Macro subprogram call. Allows passing of variables.

M29 - Set output relay with M-FIN.

M59 - Set output relay.

M69 - Clear output relay.

M96 Pxx Qxx - Conditional Local Branch when Discrete Input Signal is 0

M97 Pxx - Local Sub Routine Call

M98 Pxx - Sub Program Call

M99 - Sub Program Return or Loop

G103 - Block Lookahead Limit. No cutter comp allowed.

M109 - Interactive User Input (refer to page 430)

Round Off

The control stores decimal numbers as binary values. As a result, numbers stored in variables can be off by 1 least significant digit. For example, the number 7 stored in macro variable #10000, may later be read as 7.000001, 7.000000, or 6.999999. If your statement was

```
IF [#10000 EQ 7]... ;
```

it may give a false reading. A safer way of programming this would be

```
IF [ROUND [#10000] EQ 7]... ;
```

This issue is usually a problem only when you store integers in macro variables where you do not expect to see a fractional part later.

Look-ahead

Look-ahead is a very important concept in macro programming. The control attempts to process as many lines as possible ahead of time in order to speed up processing. This includes the interpretation of macro variables. For example,

```
#12012 = 1 ;  
G04 P1. ;  
#12012 = 0 ;
```

This is intended to turn an output on, wait 1 second, and then turn it off. However, lookahead causes the output to turn on then immediately back off while the control processes the dwell. G103 P1 is used to limit lookahead to 1 block. To make this example work properly, modify it as follows:

```
G103 P1 (See the G-code section of the manual for a further  
explanation of G103) ;  
;  
#12012=1 ;  
G04 P1. ;  
;  
;  
;  
#12012=0 ;
```


Block Look-Ahead and Block Delete

The Haas control uses block look-ahead to read and prepare for blocks of code that come after the current block of code. This lets the control transition smoothly from one motion to the next. G103 limits how far ahead the control looks at blocks of code. The P_{nn}address code in G103 specifies how far ahead the control is allowed to look. For additional information, refer to G103 on page 372.

Block Delete mode lets you selectively skip blocks of code. Use a / character at the beginning of the program blocks that you want to skip. Press **[BLOCK DELETE]** to enter the Block Delete mode. While Block Delete mode is active, the control does not execute the blocks marked with a / character. For example:

Using a

```
/M99 (Sub-Program Return) ;
```

before a block with

```
M30 (Program End and Rewind) ;
```

makes the sub-program a main program when **[BLOCK DELETE]** is on. The program is used as a sub-program when Block Delete is off.

When a block delete token "/" is used, even if Block Delete mode is not active, the line will block look ahead. This is useful for debugging macro processing within NC programs.

6.13.2 Operation Notes

You save or load macro variables through the Net Share or USB port, much like settings, and offsets.

6.13.3 Macro Variable Display Page

The local and global macro variables #1 - #33 and #10000 - #10999 are displayed and modified through the Current Commands display.

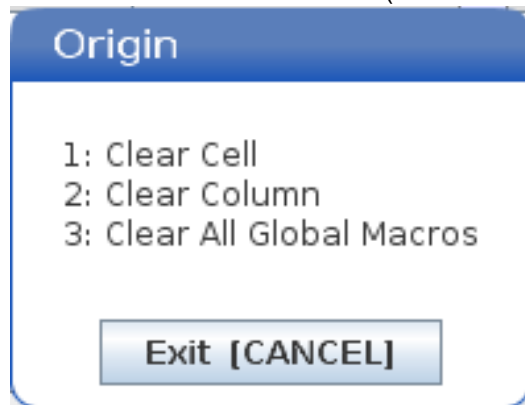


NOTE:

Internal to the machine, 10000 is added to 3-digit macro variables. For example: Macro 100 is displayed as 10100.

1. Press [**CURRENT COMMANDS**] and use navigation keys to get to the **Macro Vars** page.
As the control interprets a program, the variable changes and results are displayed on the **Macro Vars** display page.
2. Enter a value (maximum is 999999.000000) and then press [**ENTER**] to set the macro variable. Press [**ORIGIN**] to clear macro variables, this displays the Origin clear entry popup. Press number 1 - 3 to make a selection or press [**CANCEL**] to exit.

F6.21: Origin Clear Entry Popup. 1: **Clear Cell** - Clears the highlighted cell to zero. 2: **Clear Column** - Clears the active cursor column entries to zero. 3: **Clear All Global Macros** - Clears Global Macro entries (Macro 1-33, 10000-10999) to zero.



3. To search for a variable, enter the macro variable number and press the up or down arrow.
4. The variables displayed represent values of the variables when the program runs. At times, this may be up to 15 blocks ahead of actual machine actions. Debugging programs is easier when a G103 P1 is inserted at the beginning of a program to limit block buffering. A G103 without the P value can be added after the macro variable blocks in the program. For a macro program to operate correctly it is recommended that the G103 P1 be left in the program during loading of variables. For more details about G103 see the G-code section of the manual.

6.13.4 Display Macro Variables in the Timers And Counters Window

In the **Timers And Counters** window, you can display the values of any two macro variables and assign them a display name.

To set which two macro variables display in the **Timers And Counters** window:

1. Press [**CURRENT COMMANDS**].
2. Use the navigation keys to select the **TIMERS** page.
3. Highlight the **Macro Label #1** name or **Macro Label #2** name.

4. Key in a new name, and press **[ENTER]**.
5. Use arrow keys to pick the **Macro Assign #1** or **Macro Assign #2** entry field (corresponding to your chosen **Macro Label** name).
6. Key in the macro variable number (without #) and press **[ENTER]**.

On the **Timers And Counters** window, the field to the right of the entered **Macro Label** (#1 or #2) name displays the assigned variable value.

6.13.5 Macro Arguments

The arguments in a G65 statement are a means to send values to a macro subprogram and set the local variables of a macro subprogram.

The next (2) tables indicate the mapping of the alphabetic address variables to the numeric variables used in a macro subprogram.

Alphabetic Addressing

T6.2: Alphabetic Address Table

Address	Variable	Address	Variable
A	1	N	-
B	2	O	-
C	3	P	-
D	7	Q	17
E	8	R	18
F	9	S	19
G	-	T	20
H	11	U	21
I	4	V	22
J	5	W	23
K	6	X	24

Address	Variable	Address	Variable
L	-	Y	25
M	13	Z	26

Alternate Alphabetic Addressing

Address	Variable	Address	Variable	Address	Variable
A	1	K	12	J	23
B	2	I	13	K	24
C	3	J	14	I	25
I	4	K	15	J	26
J	5	I	16	K	27
K	6	J	17	I	28
I	7	K	18	J	29
J	8	I	19	K	30
K	9	J	20	I	31
I	10	K	21	J	32
J	11	I	22	K	33

Arguments accept any floating-point value to four decimal places. If the control is in metric, it will assume thousandths (.000). In example below, local variable #1 will receive .0001. If a decimal is not included in an argument value, such as:

G65 P9910 A1 B2 C3 ;

The values are passed to macro subprograms according to this table:

Integer Argument Passing (no decimal point)

Address	Variable		Address	Variable		Address	Variable
A	.0001		J	.0001		S	1.
B	.0002		K	.0001		T	1.
C	.0003		L	1.		U	.0001
D	1.		M	1.		V	.0001
E	1.		N	-		W	.0001
F	1.		O	-		X	.0001
G	-		P	-		Y	.0001
H	1.		Q	.0001		Z	.0001
I	.0001		R	.0001			

All 33 local macro variables can be assigned values with arguments by using the alternate addressing method. The following example shows how to send two sets of coordinate locations to a macro subprogram. Local variables #4 through #9 would be set to .0001 through .0006 respectively.

Example:

```
G65 P2000 I1 J2 K3 I4 J5 K6;
```

The following letters cannot be used to pass parameters to a macro subprogram: G, L, N, O or P.

6.13.6 Macro Variables

There are (3) categories of macro variables: local, global, and system.

Macro constants are floating-point values placed in a macro expression. They can be combined with addresses A-Z, or they can stand alone when used within an expression. Examples of constants are 0.0001, 5.3 or -10.

Local Variables

Local variables range between #1 and #33. A set of local variables is available at all times. When a call to a subprogram with a G65 command is executed, local variables are saved and a new set is available for use. This is called nesting of local variables. During a G65 call, all new local variables are cleared to undefined values and any local variables that have corresponding address variables in the G65 line are set to G65 line values. Below is a table of the local variables along with the address variable arguments that change them:

Variable:	1	2	3	4	5	6	7	8	9	10	11
Address:	A	B	C	I	J	K	D	E	F		H
Alternate:							I	J	K	I	J
Variable:	12	13	14	15	16	17	18	19	20	21	22
Address:		M				Q	R	S	T	U	V
Alternate:	K	I	J	K	I	J	K	I	J	K	I
Variable:	23	24	25	26	27	28	29	30	31	32	33
Address:	W	X	Y	Z							
Alternate:	J	K	I	J	K	I	J	K	I	J	K

Variables 10, 12, 14- 16 and 27- 33 do not have corresponding address arguments. They can be set if a sufficient number of I, J and K arguments are used as indicated above in the section about arguments. Once in the macro subprogram, local variables can be read and modified by referencing variable numbers 1- 33.

When the L argument is used to do multiple repetitions of a macro subprogram, the arguments are set only on the first repetition. This means that if local variables 1- 33 are modified in the first repetition, then the next repetition will have access only to the modified values. Local values are retained from repetition to repetition when the L address is greater than 1.

Calling a subprogram via an M97 or M98 does not nest the local variables. Any local variables referenced in a subprogram called by an M98 are the same variables and values that existed prior to the M97 or M98 call.

Global Variables

Global variables are accessible at all times and remain in memory when power is turned off. There is only one copy of each global variable. Global variables are numbered #10000-#10999. Three legacy ranges: (#100-#199, #500-#699, and #800-#999) are included. The legacy 3 digit macro variables begin at the #10000 range; ie., macro variable #100 is displayed as #10100.

**NOTE:**

Using variable #100 or #10100 in a program the control will access the same data. Using either variable number is acceptable.

Sometimes, factory-installed options use global variables, for example, probing and pallet changers, etc. Refer to the Macro Variables Table on page **257** for global variables and their use.

**CAUTION:**

When you use a global variable, make sure that no other programs on the machine use the same global variable.

System Variables

System variables let you interact with a variety of control conditions. System variable values can change the function of the control. When a program reads a system variable, it can modify its behavior based on the value in the variable. Some system variables have a Read Only status; this means that you cannot modify them. Refer to the Macro Variables Table on page **257** for a list of system variables and their use.

6.13.7 Macro Variables Table

The macro variables table of local, global, and system variables and their usage follows. The new generation control variables list includes legacy variables.

For the most current Macro Variables Table scan the code below with your mobile device:

F6.22: Mill Interactive Operator's Manual - Macros Chapter




Macros (Optional)

NGC Variable	Legacy Variable	Usage
#0	#0	Not a number (read only)
#1- #33	#1- #33	Macro call arguments
#10000- #10149	#100- #149	General-purpose variables saved on power off
#10150- #10199	#150- #199	Probe values (if installed)
#10200- #10399	N/A	General-purpose variables saved on power off
#10400- #10499	N/A	General-purpose variables saved on power off
#10500- #10549	#500-#549	General-purpose variables saved on power off
#10550- #10599	#550-#599	Probe calibration data (if installed)
#10600- #10699	#600- #699	General-purpose variables saved on power off
#10700- #10799	N/A	General-purpose variables saved on power off
#700- #749	#700- #749	Hidden variables for internal use only
#709	#709	Used for the Fixture Clamp Input. Do not use for general purpose.
#10800- #10999	#800- #999	General-purpose variables saved on power off
#11000- #11063	N/A	64 discrete inputs (read only)
#1064- #1068	#1064- #1068	Maximum axis loads for X, Y, Z, A, and B Axes, respectively
#1080- #1087	#1080- #1087	Raw analog to digital inputs (read only)
#1090- #1098	#1090- #1098	Filtered analog to digital inputs (read only)
#1098	#1098	Spindle load with Haas vector drive (read only)
#1264- #1268	#1264- #1268	Maximum axis loads for C, U, V, W, and T-axes respectively
#1601- #1800	#1601- #1800	Number of flutes on tools #1 through 200
#1801- #2000	#1801- #2000	Maximum recorded vibrations of tools 1 through 200
#2001- #2200	#2001- #2200	Tool length offsets

NGC Variable	Legacy Variable	Usage
#2201- #2400	#2201- #2400	Tool length wear
#2401- #2600	#2401- #2600	Tool diameter/radius offsets
#2601- #2800	#2601- #2800	Tool diameter/radius wear
#3000	#3000	Programmable alarm
#3001	#3001	Millisecond timer
#3002	#3002	Hour timer
#3003	#3003	Single block suppression
#3004	#3004	Override [FEED HOLD] control
#3006	#3006	Programmable stop with message
#3011	#3011	Year, month, day
#3012	#3012	Hour, minute, second
#3020	#3020	Power on timer (read only)
#3021	#3021	Cycle start timer
#3022	#3022	Feed timer
#3023	#3023	Present part timer (read only)
#3024	#3024	Last complete part timer (read only)
#3025	#3025	Previous part timer (read only)
#3026	#3026	Tool in spindle (read only)
#3027	#3027	Spindle RPM (read only)
#3028	#3028	Number of pallets loaded on receiver
#3030	#3030	Single block
#3032	#3032	Block delete
#3033	#3033	Opt stop

Macros (Optional)

NGC Variable	Legacy Variable	Usage
#3034	N/A	Safe Run (read only)
#3196	#3196	Cell safe timer
#3201- #3400	#3201- #3400	Actual diameter for tools 1 through 200
#3401- #3600	#3401- #3600	Programmable coolant positions for tools 1 through 200
#3901	#3901	M30 count 1
#3902	#3902	M30 count 2
#4000- #4099	#4000- #4099	Previous block G-code group codes
#4101- #4126	#4101- #4126	<p>Previous block address codes.</p> <p> NOTE: (1) Mapping of 4101 to 4126 is the same as the alphabetic addressing of Macro Arguments section; e.g., the statement X1.3 sets variable #4124 to 1.3.</p>
#4132	n/a	Returns current active work offset number (including sub offset number if applicable)
#5001- #5006	#5001- #5006	Previous block end position
#5021- #5026	#5021- #5026	Present machine coordinate position
#5041- #5046	#5041- #5046	Present work coordinate position
#5051- #5056	N/A	Used in TCPC and DWO calculations
#5061- #5069	#5061- #5069	Present skip signal position - X, Y, Z, A, B, C, U, V, W
#5081- #5086	#5081- #5086	Present tool offset
#5201- #5206	#5201- #5206	G52 work offsets
#5221- #5226	#5221- #5226	G54 work offsets

NGC Variable	Legacy Variable	Usage
#5241- #5246	#5241- #5246	G55 work offsets
#5261- #5266	#5261- #5266	G56 work offsets
#5281- #5286	#5281- #5286	G57 work offsets
#5301- #5306	#5301- #5306	G58 work offsets
#5321- #5326	#5321- #5326	G59 work offsets
#5401- #5500	#5401- #5500	Tool feed timers (seconds)
#5501- #5600	#5501- #5600	Total tool timers (seconds)
#5601- #5699	#5601- #5699	Tool life monitor limit
#5701- #5800	#5701- #5800	Tool life monitor counter
#5801- #5900	#5801- #5900	Tool load monitor maximum load sensed so far
#5901- #6000	#5901- #6000	Tool load monitor limit
#6001- #6999	#6001- #6999	Reserved. Do not use.
#6198	#6198	NGC/CF flag
#7001- #7006	#7001- #7006	G110 (G154 P1) additional work offsets
#7021- #7026	#7021- #7026	G111 (G154 P2) additional work offsets
#7041- #7386	#7041- #7386	G112 - G129 (G154 P3 - P20) additional work offsets
#7501- #7506	#7501- #7506	Pallet priority
#7601- #7606	#7601- #7606	Pallet status
#7701- #7706	#7701- #7706	Part program numbers assigned to pallets
#7801- #7806	#7801- #7806	Pallet usage count
#8500	#8500	Advanced Tool Management (ATM) group ID
#8501	#8501	ATM percent of available tool life of all tools in the group
#8502	#8502	ATM total available tool usage count in the group

Macros (Optional)

NGC Variable	Legacy Variable	Usage
#8503	#8503	ATM total available tool hole count in the group
#8504	#8504	ATM total available tool feed time (in seconds) in the group
#8505	#8505	ATM total available tool total time (in seconds) in the group
#8510	#8510	ATM next tool number to be used
#8511	#8511	ATM percent of available tool life of the next tool
#8512	#8512	ATM available usage count of the next tool
#8513	#8513	ATM available hole count of the next tool
#8514	#8514	ATM available feed time of the next tool (in seconds)
#8515	#8515	ATM available total time of the next tool (in seconds)
#8550	#8550	Individual tool ID
#8551	#8551	Number of flutes of tools
#8552	#8552	Maximum recorded vibrations
#8553	#8553	Tool length offsets
#8554	#8554	Tool length wear
#8555	#8555	Tool diameter offsets
#8556	#8556	Tool diameter wear
#8557	#8557	Actual diameter
#8558	#8558	Programmable coolant position
#8559	#8559	Tool feed timer (seconds)
#8560	#8560	Total tool timers (seconds)
#8561	#8561	Tool life monitor limit
#8562	#8562	Tool life monitor counter
#8563	#8563	Tool load monitor maximum load sensed so far

NGC Variable	Legacy Variable	Usage
#8564	#8564	Tool load monitor limit
#9000	#9000	Thermal comp accumulator
#9000- #9015	#9000- #9015	Reserved (duplicate of axis thermal accumulator)
#9016	#9016	Thermal spindle comp accumulator
#9016- #9031	#9016- #9031	Reserved (duplicate of axis thermal accumulator from spindle)
#10000- #10999	N/A	General purpose variables
#11000- #11255	N/A	Discrete inputs (read only)
#12000- #12255	N/A	Discrete outputs
#13000- #13063	N/A	Filtered analog to digital inputs (read only)
#13013	N/A	Coolant level
#14001- #14006	N/A	G110 (G154 P1) additional work offsets
#14021- #14026	N/A	G110 (G154 P2) additional work offsets
#14041- #14386	N/A	G110 (G154 P3- G154 P20) additional work offsets
#14401- #14406	N/A	G110 (G154 P21) additional work offsets
#14421- #15966	N/A	G110 (G154 P22- G154 P99) additional work offsets
#20000- #29999	N/A	Settings
#30000- #39999	N/A	Parameters
#32014	N/A	Machine Serial Number
#50001- #50200	N/A	Tool Type
#50201- #50400	N/A	Tool material
#50401- #50600	N/A	Tool Offset Point
#50601- #50800	N/A	Estimated RPM
#50801- #51000	N/A	Estimated Feedrate

NGC Variable	Legacy Variable	Usage
#51001- #51200	N/A	Offset Pitch
#51201- #51400	N/A	Actually VPS Estimated RPM
#51401- #51600	N/A	Work Material
#51601- #51800	N/A	VPS Feedrate
#51801- #52000	N/A	Approximate length
#52001- #52200	N/A	Approximate diameter
#52201- #52400	N/A	Edge Measure height
#52401- #52600	N/A	Tool Tolerance
#52601- #52800	N/A	Probe Type
#56701 - #56900	N/A	Max Spindle Speed Per tool

6.13.8 System Variables In-Depth

System variables are associated with specific functions. A detailed description of these functions follows.

#550-#699 #10550- #10699 General and Probe Calibration Data

These general purpose variables are saved on power off. Some of these higher #5xx variables store probe calibration data. Example: #592 sets which side of the table the tool probe is positioned. If these variables are overwritten, you will need to calibrate the probe again.



NOTE:

If the machine does not have a probe installed, you can use these variables as general-purpose variables saved on power off.

#1080-#1097 #11000-#11255 #13000-#13063 1-Bit Discrete Inputs

You can connect designated inputs from external devices with these macros:

Variables	Legacy Variables	Usage
#11000-#11255		256 discrete inputs (read only)
#13000-#13063	#1080-#1087 #1090-#1097	Raw and Filtered analog to digital inputs (read only)

Specific input values can be read from within a program. The format is #11nnn where nnn is the Input Number. Press **[DIAGNOSTIC]** and select the I/O tab to see the Input and Output numbers for different devices.

Example:

```
#10000=#11018
```

This example records the state of #11018, which refers to Input 18 (M-Fin_Input), to variable #10000.

For available User Inputs on the I/O PCB, refer to the Robot Integration Aid reference document in the Haas service website.

F6.23: Scan the QR code for Robot Integration Aid reference document



#1064-#1268 Maximum Axis Loads

These variables contain the maximum load an axis has achieved since the machine was last powered on, or since that Macro Variable was cleared. The Maximum Axis Load is the greatest load (100.0 = 100%) an axis has seen, not the Axis Load at the time that the control reads the variable.

#1064 = X Axis	#1264 = C axis
#1065 = Y Axis	#1265 = U axis
#1066 = Z Axis	#1266 = V axis
#1067 = A Axis	#1267 = W axis
#1068 = B Axis	#1268 = T axis

#2001-#2800 Tool Offsets

Each tool offset has a length (H) and diameter (D) along with associated wear values.

#2001-#2200	H geometry offsets (1-200) for length.
#2201-#2400	H geometry wear (1-200) for length.
#2401-#2600	D geometry offsets (1-200) for diameter.
#2601-#2800	D geometry wear (1-200) for diameter.

#3000 Programmable Alarm Messages

#3000 Alarms can be programmed. A programmable alarm will act like the built-in alarms. An alarm is generated by setting macro variable #3000 to a number between 1 and 999.

```
#3000= 15 (MESSAGE PLACED INTO ALARM LIST) ;
```

When this is done, *Alarm* flashes at the bottom of the display and the text in the next comment is placed into the alarm list. The alarm number (in this example, 15) is added to 1000 and used as an alarm number. If an alarm is generated in this manner all motion stops and the program must be reset to continue. Programmable alarms are always numbered between 1000 and 1999.

#3001-#3002 Timers

Two timers can be set to a value by assigning a number to the respective variable. A program can then read the variable and determine the time passed since the timer was set. Timers can be used to imitate dwell cycles, determine part-to-part time or wherever time-dependent behavior is desired.

- #3001 Millisecond Timer - The millisecond timer represents the system time after power on in number of milliseconds. The whole number returned after accessing #3001 represents the number of milliseconds.
- #3002 Hour Timer - The hour timer is similar to the millisecond timer except that the number returned after accessing #3002 is in hours. The hour and millisecond timers are independent of each other and can be set separately.

#3003 Single Block Suppression

Variable #3003 overrides the Single Block function in G-code. When #3003 has a value of 1, the control executes each G-code command continuously even though the Single Block function is ON. When #3003 has a value of zero, Single Block operates as normal. You must press **[CYCLE START]** to execute each line of code in single block mode.

```

...
#3003=1 ;
G54 G00 G90 X0 Y0 ;
S2000 M03 ;
G43 H01 Z.1 ;
G81 R.1 Z-0.1 F20. ;
#3003=0 ;
T02 M06 ;
G43 H02 Z.1 ;
S1800 M03 ;
G83 R.1 Z-1. Q.25 F10. ;
X0. Y0. ;
%
```

#3004 Enables and Disables Feed Hold

Variable #3004 overrides specific control features during operation.

The first bit disables **[FEED HOLD]**. If variable #3004 is set to 1, **[FEED HOLD]** is disabled for the program blocks that follow. Set #3004 to 0 to enable **[FEED HOLD]** again. For example:

```

...
(Approach code - [FEED HOLD] allowed) ;
#3004=1 (Disables [FEED HOLD]) ;
```

```
(Non-stoppable code - [FEED HOLD] not allowed) ;
#3004=0 (Enables [FEED HOLD]) ;
(Depart code - [FEED HOLD] allowed) ;
...
```

This is a map of variable #3004 bits and the associated overrides.

E = Enabled D = Disabled

#3004	Feed Hold	Feed Rate Override	Exact Stop Check
0	E	E	E
1	D	E	E
2	E	D	E
3	D	D	E
4	E	E	D
5	D	E	D
6	E	D	D
7	D	D	D



NOTE:

When the feed rate override variable is set (#3004 = 2), the control will set the feed rate override to 100% (default). During #3004 = 2 the control will show 100% in red bold text on the display until the variable is reset. Once the feed rate override is reset (#3004 = 0) the feed rate will be restored to the previous value before setting the variable.

#3006 Programmable Stop

You can add stops to the program that act like an M00 - The control stops and waits until you press [CYCLE START], then the program continues with the block after the #3006. In this example, the control displays the comment on the lower-center of the screen.

```
#3006=1 (comment here) ;
```

#3030 Single Block

In Next Generation Control when the system variable #3030 is set to a 1; the control will go into single block mode. There is no need to limit the lookahead using a G103 P1, the Next Generation Control will correctly process this code.



NOTE:

For the Classic Haas Control to process system variable #3030=1 correctly, it is necessary to limit the lookahead to 1 block using a G103 P1 before the #3030=1 code.

#4001-#4021 Last Block (Modal) Group Codes

G-code groups let the machine control process the codes more efficiently. G-codes with similar functions are usually in the same group. For example, G90 and G91 are under group 3. Macro variables #4001 through #4021 store the last or default G code for any of 21 groups.

G-Codes Group number is listed next to it's description in the G-Code section.

Example:

G81 Drill Canned Cycle (Group 09)

When a macro program reads the group code, the program can change the behavior of the G-code. If #4003 contains 91, then a macro program could determine that all moves should be incremental rather than absolute. There is no associated variable for group zero; group zero G codes are Non-modal.

#4101-#4126 Last Block (Modal) Address Data

Address codes A-Z (excluding G) are maintained as modal values. The information represented by the last line of code interpreted by the lookahead process is contained in variables #4101 through #4126. The numeric mapping of variable numbers to alphabetic addresses corresponds to the mapping under alphabetic addresses. For example, the value of the previously interpreted D address is found in #4107 and the last interpreted I value is #4104. When aliasing a macro to an M-code, you may not pass variables to the macro using variables #1 - #33. Instead, use the values from #4101 - #4126 in the macro.

#5001-#5006 Last Target Position

The final programmed point for the last motion block can be accessed through variables #5001 - #5006, X, Z, Y, A, B, and C respectively. Values are given in the current work coordinate system and can be used while the machine is in motion.

#5021-#5026 Current Machine Coordinate Position

To get the current machine axis positions, call macro variables #5021-#5026 corresponding to axis X, Y, Z, A, B, and C, respectively.

#5021 X Axis	#5022 Y Axis	#5023 Z Axis
#5024 A Axis	#5025 B Axis	#5026 C Axis



NOTE:

Values CANNOT be read while the machine is in motion.

#5041-#5046 Current Work Coordinate Position

To get the current work coordinate positions, call macro variables #5041-#5046 corresponding to axis X, Y, Z, A, B, and C, respectively.



NOTE:

The values CANNOT be read while the machine is in motion.

#5061-#5069 Current Skip Signal Position

Macro variables #5061-#5069 corresponding to X, Y, Z, A, B, C, U, V and W respectively, give the axis positions where the last skip signal occurred. Values are given in the current work coordinate system and can be used while the machine is in motion.

The value of #5063 (Z) has tool length compensation applied to it.

#5081-#5086 Tool Length Compensation

Macro variables #5081 - #5086 give the current total tool length compensation in axis X, Y, Z, A, B, or C, respectively. This includes tool length offset referenced by the current value set in H (#4008) plus the wear value.

#5201-#5326, #7001-#7386, #14001-#14386 Work Offsets

Macro expressions can read and set all work offsets. This lets you preset coordinates to exact locations, or set coordinates to values based upon the results of skip signal (probed) locations and calculations. When any of the offsets are read, the interpretation look-ahead queue is stopped until that block is executed.

Variables	Legacy Variables	Usage
	#5201- #5206	G52 X, Y, Z, A, B, C OFFSET VALUES
	#5221- #5226	G54 X, Y, Z, A, B, C OFFSET VALUES
	#5241- #5246	G55 X, Y, Z, A, B, C OFFSET VALUES
	#5261- #5266	G56 X, Y, Z, A, B, C OFFSET VALUES
	#5281- #5286	G57 X, Y, Z, A, B, C OFFSET VALUES
	#5301- #5306	G58 X, Y, Z, A, B, C OFFSET VALUES
	#5321- #5326	G59X, Y, Z, A, B, C OFFSET VALUES
#14001-#14006	#7001- #7006	G110 (G154 P1) additional work offsets
#14021-#14026	#7021-#7026	G111 (G154 P2) additional work offsets
#14041-#14046	#7041-#7046	G112 (G154 P3) additional work offsets
#14061-#14066	#7061-#7066	G113 (G154 P4) additional work offsets
#14081-#14086	#7081-#7086	G114 (G154 P5) additional work offsets
#14101-#14106	#7101-#7106	G115 (G154 P6) additional work offsets
#14121-#14126	#7121-#7126	G116 (G154 P7) additional work offsets
#14141-#14146	#7141-#7146	G117 (G154 P8) additional work offsets
#14161-#14166	#7161-#7166	G118 (G154 P9) additional work offsets
#14181-#14186	#7181-#7186	G119 (G154 P10) additional work offsets
#14201-#14206	#7201-#7206	G120 (G154 P11) additional work offsets
#14221-#14226	#7221-#7226	G121 (G154 P12) additional work offsets

Variables	Legacy Variables	Usage
#14241-#14246	#7241-#7246	G122 (G154 P13) additional work offsets
#14261-#14266	#7261-#7266	G123 (G154 P14) additional work offsets
#14281-#14286	#7281-#7286	G124 (G154 P15) additional work offsets
#14301-#14306	#7301-#7306	G125 (G154 P16) additional work offsets
#14321-#14326	#7321-#7326	G126 (G154 P17) additional work offsets
#14341-#14346	#7341-#7346	G127 (G154 P18) additional work offsets
#14361-#14366	#7361-#7366	G128 (G154 P19) additional work offsets
#14381-#14386	#7381-#7386	G129 (G154 P20) additional work offsets

#6198 Next-Generation Control Identifier

The macro variable #6198 has a read-only value of 1000000.

You can test #6198 in a program to detect the control version, and then conditionally run program code for that control version. For example:

```

%
IF[#6198 EQ 1000000] GOTO5 ;
(Non-NGC code) ;
GOTO6 ;
N5 (NGC code) ;
N6 M30 ;
%
```

In this program, if the value stored in #6198 is equal to 1000000, go to Next Generation Control compatible code then end the program. If the value stored in #6198 is not equal to 1000000, run the non-NGC program and then end the program.

#7501 - #7806, #3028 Pallet Changer Variables

The status of the pallets from the Automatic Pallet Changer is checked with these variables:

#7501-#7506	Pallet priority
#7601-#7606	Pallet status

#7701-#7706	Part program numbers assigned to pallets
#7801-#7806	Pallet usage count
#3028	Number of pallet loaded on receiver

#8500-#8515 Advanced Tool Management

These variables give information on Advanced Tool Management (ATM). Set variable #8500 to the tool group number, then access information for the selected tool group with the read-only macros #8501-#8515.

#8500	Advanced Tool Management (ATM). Group ID
#8501	ATM. Percent of available tool life of all tools in the group.
#8502	ATM. Total available tool usage count in the group.
#8503	ATM. Total available tool hole count in the group.
#8504	ATM. Total available tool feed time (in seconds) in the group.
#8505	ATM. Total available tool total time (in seconds) in the group.
#8510	ATM. Next tool number to be used.
#8511	ATM. Percent of available tool life of the next tool.
#8512	ATM. Available usage count of the next tool.
#8513	ATM. Available hole count of the next tool.
#8514	ATM. Available feed time of the next tool (in seconds).
#8515	ATM. Available total time of the next tool (in seconds).

#8550-#8567 Advanced Tool Management Tooling

These variables give information on tooling. Set variable #8550 to the tool offset number, then access information for the selected tool with the read-only macros #8551-#8567.



NOTE:

Macro variables #1601-#2800 give access to the same data for individual tools as #8550-#8567 give for Tool Group tools.

#8550	Individual tool ID
#8551	Number of Flutes on tool
#8552	Maximum recorded vibration
#8553	Tool length offset
#8554	Tool length wear
#8555	Tool diameter offset
#8556	Tool diameter wear
#8557	Actual diameter
#8558	Programmable coolant position
#8559	Tool feed timer (seconds)
#8560	Total tool timers (seconds)
#8561	Tool life monitor limit
#8562	Tool life monitor counter
#8563	Tool load monitor maximum load sensed so far
#8564	Tool load monitor limit

#12000-#12255 1-Bit Discrete Outputs

The Haas control is capable of controlling up to 256 discrete outputs. However, a number of these outputs are reserved for the Haas control to use.

Variables	Legacy Variables	Usage
#12000-#12255		256 discrete outputs

Specific output values can be read, or written to, from within a program. The format is #12nnn where nnn is the Output Number.

Example:

```
#10000=#12018 ;
```

This example records the state of #12018, which refers to Input 18 (Coolant Pump Motor), to variable #10000.

#20000-#20999 Settings Access with Macro Variables

Access settings through variables #20000 - #20999, starting from setting 1 respectively. Refer to page 439 for the detailed descriptions of the settings that are available in the control.



NOTE:

The #20000 - 20999 range numbers correspond directly to Setting numbers plus 20000.

#50001 - #50200 Tool Type

Use macro variables #50001 - #50200, to read or write the tool type set in the tool offset page.

T6.3: Available Tool Types for Mill

Tool Type	Tool Type #
Drill	1
Tap	2
Shell Mill	3

Tool Type	Tool Type #
End Mill	4
Spot Drill	5
Ball Nose	6
Probe	7
Reserve for Future Use	8-20

6.13.9 Variable Usage

All variables are referenced with a number sign (#) followed by a positive number: #1, #10001, and #10501.

Variables are decimal values that are represented as floating point numbers. If a variable has never been used, it can take on a special **undefined** value. This indicates that it has not been used. A variable can be set to **undefined** with the special variable #0. #0 has the value of undefined or 0.0 depending on its context. Indirect references to variables can be accomplished by enclosing the variable number in brackets: # [<Expression>]

The expression is evaluated and the result becomes the variable accessed. For example:

```
#1=3 ;
#[#1]=3.5 + #1 ;
```

This sets the variable #3 to the value 6.5.

A variable can be used in place of a G-code address where address refers to the letters A-Z.

In the block:

```
N1 G0 G90 X1.0 Y0 ;
```

the variables can be set to the following values:

```
#7=0 ;
#11=90 ;
#1=1.0 ;
#2=0.0 ;
```

and replaced by:

```
N1 G#7 G#11 X#1 Y#2 ;
```

Values in the variables at runtime are used as the address values.

6.13.10 Address Substitution

The usual method of setting control addresses A-Z is the address followed by a number. For example:

```
G01 X2.5 Y3.7 F20.;
```

sets addresses G, X, Y and F to 1, 1.5, 3.7 and 20.0 respectively and thus instructs the control to move linearly, G01, to position X=2.5 Y=3.7 at a feed rate of 20 (in/mm). Macro syntax allows the address values to be replaced with any variable or expression.

The previous statement can be replaced by this code:

```
#1=1 ;
#2=1.5 ;
#3=3.7 ;
#4=20 ;
G#1 X[#1+#2] Y#3 F#4 ;
```

The permissible syntax on addresses A-Z (exclude N or O) is as follows:

<address><variable>	A#101
<address><-><variable>	A-#101
<address>[<expression>]	Z[#5041+3.5]
<address><->[<expression>]	Z-[SIN[#1]]

If the variable value does not agree with the address range, the control generates an alarm. For example, this code causes a range error alarm because the tool diameter numbers range from 0 to 200.

```
#1=250 ;
D#1 ;
```

When a variable or expression is used in place of an address value, the value is rounded to the least significant digit. If #1=.123456, then G01 X#1 would move the machine tool to .1235 on the X Axis. If the control is in the metric mode, the machine would be moved to .123 on the X axis.

When an undefined variable is used to replace an address value, that address reference is ignored. For example, if #1 is undefined, then the block

```
G00 X1.0 Y#1 ;
```

becomes

```
G00 X1.0 ;
```

and no Y movement takes place.

Macro Statements

Macro statements are lines of code that allow the programmer to manipulate the control with features similar to any standard programming language. Included are functions, operators, conditional and arithmetic expressions, assignment statements, and control statements.

Functions and operators are used in expressions to modify variables or values. The operators are essential to expressions while functions make the programmer's job easier.

Functions

Functions are built-in routines that the programmer has available to use. All functions have the form <function_name>[argument] and return floating-point decimal values. The functions provided in the Haas control are as follows:

Function	Argument	Returns	Notes
SIN[]	Degrees	Decimal	Sine
COS[]	Degrees	Decimal	Cosine
TAN[]	Degrees	Decimal	Tangent
ATAN[]	Decimal	Degrees	Arctangent Same as FANUC ATAN[]/[1]

Function	Argument	Returns	Notes
SQRT[]	Decimal	Decimal	Square root
ABS[]	Decimal	Decimal	Absolute value
ROUND[]	Decimal	Decimal	Round off a decimal
FIX[]	Decimal	Integer	Truncate fraction
ACOS[]	Decimal	Degrees	Arc cosine
ASIN[]	Decimal	Degrees	Arcsine
#[]	Integer	Integer	Indirect reference Refer to page 276

Notes on Functions

The function `ROUND` works differently depending on the context that it is used. When used in arithmetic expressions, any number with a fractional part greater than or equal to .5 is rounded up to the next whole integer; otherwise, the fractional part is truncated from the number.

```
%
#1=1.714 ;
#2=ROUND[#1] (#2 is set to 2.0) ;
#1=3.1416 ;
#2=ROUND[#1] (#2 is set to 3.0) ;
%
```

When `ROUND` is used in an address expression, metric and angle dimensions are rounded to three-place precision. For inch dimensions, four-place precision is the default.

```
%
#1= 1.00333 ;
G00 X[ #1 + #1 ] ;
(Table X Axis moves to 2.0067) ;
G00 X[ ROUND[ #1 ] + ROUND[ #1 ] ] ;
(Table X Axis moves to 2.0067) ;
G00 A[ #1 + #1 ] ;
(Axis rotates to 2.007) ;
G00 A[ ROUND[ #1 ] + ROUND[ #1 ] ] ;
(Axis rotates to 2.007) ;
D[1.67] (Diameter rounded up to 2) ;
```

%

Fix vs. Round

```
%  
#1=3.54 ;  
#2=ROUND[#1] ;  
#3=FIX[#1] .  
%
```

#2 will be set to 4. #3 will be set to 3.

Operators

Operators have (3) categories: Boolean, Arithmetic, and Logical.

Boolean Operators

Boolean operators always evaluate to 1.0 (TRUE) or 0.0 (FALSE). There are six Boolean operators. These operators are not restricted to conditional expressions, but they most often are used in conditional expressions. They are:

EQ - Equal To

NE - Not Equal To

GT - Greater Than

LT - Less Than

GE - Greater Than or Equal To

LE - Less Than or Equal To

Here are four examples of how Boolean and Logical operators can be used:

Example	Explanation
<pre>IF [#10001 EQ 0.0] GOTO100 ;</pre>	Jump to block 100 if value in variable #10001 equals 0.0.
<pre>WHILE [#10101 LT 10] DO1 ;</pre>	While variable #10101 is less than 10 repeat loop DO1..END1.

Example	Explanation
#10001=[1.0 LT 5.0] ;	Variable #10001 is set to 1.0 (TRUE).
IF [#10001 AND #10002 EQ #10003] GOTO1 ;	If variable #10001 AND variable #10002 are equal to the value in #10003 then control jumps to block 1.

Arithmetic Operators

Arithmetic operators consist of unary and binary operators. They are:

+	- Unary plus	+1.23
-	- Unary minus	-[COS[30]]
+	- Binary addition	#10001=#10001+5
-	- Binary subtraction	#10001=#10001-1
*	- Multiplication	#10001=#10002*#10003
/	- Division	#10001=#10002/4
MOD	- Remainder	#10001=27 MOD 20 (#10001 contains 7)

Logical Operators

Logical operators are operators that work on binary bit values. Macro variables are floating point numbers. When logical operators are used on macro variables, only the integer portion of the floating point number is used. The logical operators are:

OR - logically OR two values together

XOR - Exclusively OR two values together

AND - Logically AND two values together

Examples:

```

%
#10001=1.0 ;
#10002=2.0 ;

```

```
#10003=#10001 OR #10002 ;  
%
```

Here the variable #10003 will contain 3.0 after the OR operation.

```
%  
#10001=5.0 ;  
#10002=3.0 ;  
IF [[#10001 GT 3.0] AND [#10002 LT 10]] GOTO1 ;  
%
```

Here control transfers to block 1 because #10001 GT 3.0 evaluates to 1.0 and #10002 LT 10 evaluates to 1.0, thus 1.0 AND 1.0 is 1.0 (TRUE) and the GOTO occurs.



NOTE:

To achieve your desired results, be very careful when you use logical operators.

Expressions

Expressions are defined as any sequence of variables and operators surrounded by the square brackets [and]. There are two uses for expressions: conditional expressions or arithmetic expressions. Conditional expressions return FALSE (0.0) or TRUE (any non zero) values. Arithmetic expressions use arithmetic operators along with functions to determine a value.

Arithmetic Expressions

An arithmetic expression is any expression using variables, operators, or functions. An arithmetic expression returns a value. Arithmetic expressions are usually used in assignment statements, but are not restricted to them.

Examples of Arithmetic expressions:

```
%  
#10001=#10045*#10030 ;  
#10001=#10001+1 ;  
X[#10005+COS[#10001]] ;  
#[#10200+#10013]=0 ;  
%
```


Conditional Expressions

In the Haas control, all expressions set a conditional value. The value is either 0.0 (FALSE) or the value is nonzero (TRUE). The context in which the expression is used determines if the expression is a conditional expression. Conditional expressions are used in the `IF` and `WHILE` statements and in the `M99` command. Conditional expressions can make use of Boolean operators to help evaluate a `TRUE` or `FALSE` condition.

The `M99` conditional construct is unique to the Haas control. Without macros, `M99` in the Haas control has the ability to branch unconditionally to any line in the current subprogram by placing a `P` code on the same line. For example:

```
N50 M99 P10 ;
```

branches to line `N10`. It does not return control to the calling subprogram. With macros enabled, `M99` can be used with a conditional expression to branch conditionally. To branch when variable `#10000` is less than 10 we could code the above line as follows:

```
N50 [#10000 LT 10] M99 P10 ;
```

In this case, the branch occurs only when `#10000` is less than 10, otherwise processing continues with the next program line in sequence. In the above, the conditional `M99` can be replaced with

```
N50 IF [#10000 LT 10] GOTO10 ;
```

Assignment Statements

Assignment statements let you modify variables. The format of the assignment statement is:

```
<expression>=<expression>
```

The expression on the left of the equal sign must always refer to a macro variable, whether directly or indirectly. This macro initializes a sequence of variables to any value. This example uses both direct and indirect assignments.

```
%
O50001 (INITIALIZE A SEQUENCE OF VARIABLES) ;
N1 IF [#2 NE #0] GOTO2 (B=base variable) ;
#3000=1 (Base variable not given) ;
```

```
N2 IF [#19 NE #0] GOTO3 (S=size of array) ;
#3000=2 (Size of array not given) ;
N3 WHILE [#19 GT 0] DO1 ;
#19=#19-1 (Decrement count) ;
#[#2+#19]=#22 (V=value to set array to) ;
END1 ;
M99 ;
%
```

You could use the above macro to initialize three sets of variables as follows:

```
%
G65 P300 B101. S20 (INIT 101..120 TO #0) ;
G65 P300 B501. S5 V1. (INIT 501..505 TO 1.0) ;
G65 P300 B550. S5 V0 (INIT 550..554 TO 0.0) ;
%
```

The decimal point in B101., etc. would be required.

Control Statements

Control statements allow the programmer to branch, both conditionally and unconditionally. They also provide the ability to iterate a section of code based on a condition.

Unconditional Branch (GOTO n and M99 P n)

In the Haas control, there are two methods of branching unconditionally. An unconditional branch will always branch to a specified block. M99 P15 will branch unconditionally to block number 15. The M99 can be used whether or not macros is installed and is the traditional method for branching unconditionally in the Haas control. GOTO15 does the same as M99 P15. In the Haas control, a GOTO command can be used on the same line as other G-codes. The GOTO is executed after any other commands like M codes.

Computed Branch (GOTO# n and GOTO [expression])

Computed branching allows the program to transfer control to another line of code in the same subprogram. The control can compute the block while the program runs, using the GOTO [expression] form, or it can pass the block in through a local variable, as in the GOTO# n form.

The GOTO rounds the variable or expression result that is associated with the Computed branch. For instance, if variable #1 contains 4.49 and the program contains a GOTO#1 command, the control attempts to transfer to a block that contains N4. If #1 contains 4.5, then the control transfers to a block that contains N5.

Example: You could develop this code skeleton into a program that adds serial numbers to parts:

```

%
O50002 (COMPUTED BRANCHING) ;
(D=Decimal digit to engrave) ;
;
IF [[#7 NE #0] AND [#7 GE 0] AND [#7 LE 9]] GOTO99 ;
#3000=1 (Invalid digit) ;
;
N99;
#7=FIX[#7] (Truncate any fractional part) ;
;
GOTO#7 (Now engrave the digit) ;
;
N0 (Do digit zero) ;
M99 ;
;
N1 (Do digit one) ;
;
M99 ;
%

```

With the above subprogram, you would use this call to engrave the fifth digit:

```
G65 P9200 D5 ;
```

Computed GOTOS using expression could be used to branch processing based on the results of reading hardware inputs. For example:

```

%
GOTO [[#1030*2]+#1031] ;
N0(1030=0, 1031=0) ;
...M99 ;
N1(1030=0, 1031=1) ;
...M99 ;
N2(1030=1, 1031=0) ;
...M99 ;
N3(1030=1, 1031=1) ;
...M99 ;
%

```

#1030 and #1031.

Conditional Branch (IF and M99 Pnnnn)

Conditional branching allows the program to transfer control to another section of code within the same subprogram. Conditional branching can only be used when macros are enabled. The Haas control allows two similar methods for accomplishing conditional branching:

```
IF [<conditional expression>] GOTO n
```

As discussed, <conditional expression> is any expression that uses any of the six Boolean operators EQ, NE, GT, LT, GE, or LE. The brackets surrounding the expression are mandatory. In the Haas control, it is not necessary to include these operators. For example:

```
IF [#1 NE 0.0] GOTO5 ;
```

could also be:

```
IF [#1] GOTO5 ;
```

In this statement, if the variable #1 contains anything but 0.0, or the undefined value #0, then branching to block 5 occurs; otherwise, the next block is executed.

In the Haas control, a <conditional expression> is also used with the M99 Pnnnn format. For example:

```
G00 X0 Y0 [#1EQ#2] M99 P5;
```

Here, the conditional is for the M99 portion of the statement only. The machine tool is instructed to go to X0, Y0 whether or not the expression evaluates to True or False. Only the branch, M99, is executed based on the value of the expression. It is recommended that the IF GOTO version be used if portability is desired.

Conditional Execution (IF THEN)

Execution of control statements can also be achieved by using the IF THEN construct. The format is:

```
IF [<conditional expression>] THEN <statement> ;
```

**NOTE:**

To preserve compatibility with FANUC syntax *THEN* may not be used with *GOTO*_n.

This format is traditionally used for conditional assignment statements such as:

```
IF [#590 GT 100] THEN #590=0.0 ;
```

Variable #590 is set to zero when the value of #590 exceeds 100.0. In the Haas control, if a conditional evaluates to FALSE (0.0), then the remainder of the *IF* block is ignored. This means that control statements can also be conditioned so that we could write something like:

```
IF [#1 NE #0] THEN G01 X#24 Y#26 F#9 ;
```

This executes a linear motion only if variable #1 has been assigned a value. Another example is:

```
IF [#1 GE 180] THEN #101=0.0 M99 ;
```

This says that if variable #1 (address A) is greater than or equal to 180, then set variable #101 to zero and return from the subprogram.

Here is an example of an *IF* statement that branches if a variable has been initialized to contain any value. Otherwise, processing continues and an alarm is generated. Remember, when an alarm is generated, program execution is halted.

```
%
N1 IF [#9NE#0] GOTO3 (TEST FOR VALUE IN F) ;
N2 #3000=11(NO FEED RATE) ;
N3 (CONTINUE) ;
%
```

Iteration/Looping (WHILE DO END)

Essential to all programming languages is the ability to execute a sequence of statements a given number of times or to loop through a sequence of statements until a condition is met. Traditional G coding allows this with the use of the *L* address. A subprogram can be executed any number of times by using the *L* address.

```
M98 P2000 L5 ;
```

This is limited since you cannot terminate execution of the subprogram on condition. Macros allow flexibility with the WHILE-DO-END construct. For example:

```
%  
WHILE [<conditional expression>] DO n ;  
<statements> ;  
END n ;  
%
```

This executes the statements between `DO n` and `END n` as long as the conditional expression evaluates to True. The brackets in the expression are necessary. If the expression evaluates to False, then the block after `END n` is executed next. `WHILE` can be abbreviated to `WH`. The `DO n-END n` portion of the statement is a matched pair. The value of `n` is 1-3. This means that there can be no more than three nested loops per subprogram. A nest is a loop within a loop.

Although nesting of `WHILE` statements can only be up to three levels, there really is no limit since each subprogram can have up to three levels of nesting. If there is a need to nest to a level greater than 3, then the segment containing the three lowest levels of nesting can be made into a subprogram thus overcoming the limitation.

If two separate `WHILE` loops are in a subprogram, they can use the same nesting index. For example:

```
%  
#3001=0 (WAIT 500 MILLISECONDS) ;  
WH [#3001 LT 500] DO 1 ;  
END 1 ;  
<Other statements>  
#3001=0 (WAIT 300 MILLISECONDS) ;  
WH [#3001 LT 300] DO 1 ;  
END 1 ;  
%
```

You can use `GOTO` to jump out of a region encompassed by a `DO-END`, but you cannot use a `GOTO` to jump into it. Jumping around inside a `DO-END` region using a `GOTO` is allowed.

An infinite loop can be executed by eliminating the `WHILE` and expression. Thus,

```
%  
DO 1 ;  
<statements>
```

```
END1 ;
%
```

executes until the `RESET` key is pressed.



CAUTION: *The following code can be confusing:*

```
%
WH [#1] D01 ;
END1 ;
%
```

In this example, an alarm results indicating no `Then` was found; `Then` refers to the `D01`. Change `D01` (zero) to `D01` (letter O).

6.13.11 Communication With External Devices - `DPRNT[]`

Macros allow additional capabilities to communicate with peripheral devices. With user provided devices you can digitize parts, provide runtime inspection reports, or synchronize controls.

Formatted Output

The `DPRNT` statement lets programs send formatted text to the serial port. `DPRNT` can print any text and any variable to the serial port. The form of the `DPRNT` statement is as follows:

```
DPRNT [<text> <#nnnn[wf]>... ] ;
```

`DPRNT` must be the only command in the block. In the previous example, `<text>` is any character from A to Z or the letters (+, -, /, *, and the space). When an asterisk is output, it is converted to a space. The `<#nnnn[wf]>` is a variable followed by a format. The variable number can be any macro variable. The format `[wf]` is required and consists of two digits within square brackets. Remember that macro variables are real numbers with a whole part and a fractional part. The first digit in the format designates the total places reserved in the output for the whole part. The second digit designates the total places reserved for the fractional part. The control can use any number from 0-9 for both whole and fractional parts.

A decimal point is printed out between the whole part and the fractional part. The fractional part is rounded to the least significant place. When zero places are reserved for the fractional part, then no decimal point is printed out. Trailing zeros are printed if there is a fractional part. At least one place is reserved for the whole part, even when a zero is used. If the value of the whole part has fewer digits than have been reserved, then leading spaces are output. If the value of the whole part has more digits than has been reserved, then the field is expanded so that these numbers are printed.

The control sends a carriage return after every DPRNT block.

DPRNT[] Example:

Code	Output
#1= 1.5436 ;	
DPRNT[X#1[44]*Z#1[03]*T#1[40]] ;	X1.5436 Z 1.544 T 1
DPRNT[***MEASURED*INSIDE*DIAMETER** *] ;	MEASURED INSIDE DIAMETER
DPRNT[] ;	(no text, only a carriage return)
#1=123.456789 ;	
DPRNT[X-#1[35]] ;	X-123.45679 ;

DPRNT[] Settings

Setting 261 determines the destination for DPRNT statements. You can choose to output them to a file, or to a TCP port. Settings 262 and 263 specify the destination for DPRNT output. Refer to the Settings section of this manual for more information.

Execution

`DPRNT` statements are executed at look-ahead time. This means that you must be careful about where the `DPRNT` statements appear in the program, particularly if the intent is to print out.

`G103` is useful for limiting lookahead. If you wanted to limit look-ahead interpretation to one block, you would include this command at the start of your program: This causes the control to look ahead (2) blocks.

```
G103 P1 ;
```

To cancel the lookahead limit, change the command to `G103 P0`. `G103` cannot be used when cutter compensation is active.

Editing

Improperly structured or improperly placed macro statements will generate an alarm. Be careful when editing expressions; brackets must be balanced.

The `DPRNT[]` function can be edited much like a comment. It can be deleted, moved as a whole item, or individual items within the bracket can be edited. Variable references and format expressions must be altered as a whole entity. If you wanted to change [24] to [44], place the cursor so that [24] is highlighted, enter [44] and press **[ENTER]**. Remember, you can use the jog handle to maneuver through long `DPRNT[]` expressions.

Addresses with expressions can be somewhat confusing. In this case, the alphabetic address stands alone. For instance, this block contains an address expression in `X`:

```
G01 G90 X [COS [90]] Y3.0 (CORRECT) ;
```

Here, the `X` and brackets stand-alone and are individually editable items. It is possible, through editing, to delete the entire expression and replace it with a floating-point constant.

```
G01 G90 X 0 Y3.0 (WRONG) ;
```

The above block will result in an alarm at runtime. The correct form looks as follows:

```
G01 G90 X0 Y3.0 (CORRECT) ;
```



NOTE:

There is no space between the X and the Zero (0). REMEMBER when you see an alpha character standing alone it is an address expression.

6.13.12 G65 Macro Subprogram Call Option (Group 00)

G65 is the command that calls a subprogram with the ability to pass arguments to it. The format follows:

```
G65 Pnnnnn [Lnnnn] [arguments] ;
```

Arguments italicized in square brackets are optional. See the Programming section for more details on macro arguments.

The G65 command requires a P address corresponding to a program number currently located in the control's drive or path to a program. When the L address is used the macro call is repeated the specified number of times.

When a subprogram is called, the control looks for the subprogram on the active drive or the path to the program. If the subprogram cannot be located on the active drive, the control looks in the drive designated by Setting 251. Refer to the Setting Up Search Locations section for more information on subprogram searching. An alarm occurs if the control does not find the subprogram.

In Example 1, subprogram 1000 is called once without conditions passed to the subprogram. G65 calls are similar to, but not the same as, M98 calls. G65 calls can be nested up to 9 times, which means, program 1 can call program 2, program 2 can call program 3 and program 3 can call program 4.

Example 1:

```
%
G65 P1000 (Call subprogram 001000 as a macro) ;
M30 (Program stop) ;
001000 (Macro Subprogram) ;
...
M99 (Return from Macro Subprogram) ;
%
```

In Example 2, the program LightHousing.nc is called using the path that it is in.

Example 2:

```
%
```

```
G65 P15 A1. B1.;
G65 (/Memory/LightHousing.nc) A1. B1.;
```

**NOTE:**

Paths are case sensitive.

In Example 3, subprogram 9010 is designed to drill a sequence of holes along a line whose slope is determined by the X and Y arguments that are passed to it in the G65 command line. The Z drill depth is passed as Z, the feed rate is passed as F, and the number of holes to be drilled is passed as T. The line of holes is drilled starting from the current tool position when the macro subprogram is called.

Example 3:

**NOTE:**

The subprogram program O09010 should reside on the active drive or on a drive designated by Setting 252.

```
%
G00 G90 X1.0 Y1.0 Z.05 S1000 M03 (Position tool) ;
G65 P9010 X.5 Y.25 Z.05 F10. T10 (Call O09010) ;
M30 ;
O09010 (Diagonal hole pattern) ;
F#9 (F=Feedrate) ;
WHILE [#20 GT 0] DO1 (Repeat T times) ;
G91 G81 Z#26 (Drill To Z depth) ;
#20=#20-1 (Decrement counter) ;
IF [#20 EQ 0] GOTO5 (All holes drilled) ;
G00 X#24 Y#25 (Move along slope) ;
N5 END1 ;
M99 (Return to caller) ;
%
```

6.13.13 Aliasing

Aliased codes are user defined G and M-codes that reference a macro program. There are 10 G alias codes and 10 M alias codes available to users. Program numbers 9010 through 9019 are reserved for G-code aliasing and 9000 through 9009 are reserved for M-code aliasing.

Aliasing is a means of assigning a G-code or M-code to a G65 P##### sequence. For instance, in the previous Example 2, it would be easier to write:

```
G06 X.5 Y.25 Z.05 F10. T10 ;
```

When aliasing, variables can be passed with a G-code; variables cannot be passed with an M-code.

Here, an unused G-code has been substituted, G06 for G65 P9010. In order for the previous block to work, the value associated with subprogram 9010 must be set to 06. Refer to the Setting Aliases section for how to setup aliases.



NOTE:

G00, G65, G66, and G67 cannot be aliased. All other codes between 1 and 255 can be used for aliasing.

If a macro call subprogram is set to a G-code and the subprogram is not in memory, then an alarm is given. Refer to the G65 Macro Subprogram Call section on page 292 on how to locate the subprogram. An alarm occurs if the sub-program is not found.

Setting Aliases

The G-code or M-code alias setup is done on the Alias Codes window. To setup an alias:

1. Press **[SETTING]** and navigate to the **Alias Codes** tab.
2. Press **[EMERGENCY STOP]** on the control.
3. Using the cursor keys select the M or G Macro Call to be used.
4. Enter the number of the G-code or M-code you want to alias. For example, if you want to alias G06 type 06.
5. Press **[ENTER]**.
6. Repeat steps 3 - 5 for other aliased G or M-codes.
7. Release the **[EMERGENCY STOP]** on the control.

Setting an alias value to 0 disables aliasing for the associated subprogram.

F6.24: Alias Codes Window

Settings And Graphics	
Graphics	Settings
Network	Notifications
Rotary	Alias Codes
M-Codes & G-Codes Program Aliases	
	Value
M MACRO CALL 09000	0
M MACRO CALL 09001	0
M MACRO CALL 09002	0
M MACRO CALL 09003	0
M MACRO CALL 09004	0
M MACRO CALL 09005	0
M MACRO CALL 09006	0
M MACRO CALL 09007	0
M MACRO CALL 09008	0
M MACRO CALL 09009	0
G MACRO CALL 09010	0
G MACRO CALL 09011	0
G MACRO CALL 09012	0
G MACRO CALL 09013	0
G MACRO CALL 09014	0
G MACRO CALL 09015	0
G MACRO CALL 09016	0
G MACRO CALL 09017	0
G MACRO CALL 09018	0
G MACRO CALL 09019	0

6.13.14 More Information Online

For updated information, including tips, tricks, maintenance procedures, and more, visit the Haas Service page at www.HaasCNC.com.

For the most current Operator's and Service Manuals scan the code below with your mobile device:



6.14 Pallet Pool M-Codes

The following are the M-codes used by the pallet pool.

6.14.1 M46 Qn Pmm Jump to Line

Jump to line mm in the current program if pallet n is loaded, otherwise go to the next block.

6.14.2 M48 Validate That The Current Program is Appropriate for Loaded Pallet

Checks in the Pallet Schedule Table that the current program is assigned to the loaded pallet. If the current program is not in the list or the loaded pallet is incorrect for the program, an alarm is generated. **M48** can be in a program listed in the PST, but never in a subroutine of the PST program. An alarm will occur if **M48** is incorrectly nested.

6.14.3 M50 Pallet Change Sequence

*P - Pallet number

*indicates optional

This M-code is used to call a pallet change sequence. An **M50** with a **P** command will call a specific pallet. **M50 P3** will change to pallet 3, commonly used with Pallet Pool machines.

M50P0 is a special code used to extract a pallet without loading the next one. Use this code when you want to run a wash-down program or a spindle fan to clean the receiver before loading the next pallet while the machine is in pallet mode (**M199**).

M96 Jump If No Input can be used in conjunction with **M50P0** to skip the wash-down program if you are not in pallet mode. Refer to the **M96** help text for more information on how to program a wash-down cycle to clean the receiver.

6.14.4 M199 Pallet / Part Load or Program End

M199 takes the place of an **M30** or **M99** at the end of a program. When running in Memory or MDI mode, pressing **Cycle Start** to run the program, the **M199** will behave the same as an **M30**. It will stop and rewind the program back to the beginning. While running in Pallet Change mode, pressing **INSERT** while on the Pallet Schedule Table to run a program, the **M199** behaves the same as an **M50 + M99**. It will end the program, get the next scheduled pallet and associated program, then continue to run until all scheduled pallets are completed.

Chapter 7: G-codes

7.1 Introduction

This chapter gives detailed descriptions of the G-codes that you use to program your machine.

For the most current G-code information scan the code below with your mobile device.

F7.1: Mill - G-Codes Guide



7.1.1 List of G-codes



CAUTION:

The sample programs in this manual have been tested for accuracy, but they are for illustrative purposes only. The programs do not define tools, offsets, or materials. They do not describe workholding or other fixturing. If you choose to run a sample program on your machine, do so in Graphics mode. Always follow safe machining practices when you run an unfamiliar program.



NOTE:

The sample programs in this manual represent a very conservative programming style. The samples are intended to demonstrate safe and reliable programs, and they are not necessarily the fastest or most efficient way to operate a machine. The sample programs use G-codes that you might choose not to use in more efficient programs.

Code	Description	Group	Page
G00	Rapid Motion Positioning	01	308
G01	Linear Interpolation Motion	01	309
G02	Circular Interpolation Motion CW	01	311
G03	Circular Interpolation Motion CCW	01	311
G04	Dwell	00	318
G09	Exact Stop	00	318
G10	Set Offsets	00	319
G12	Circular Pocket Milling CW	00	320
G13	Circular Pocket Milling CCW	00	320
G17	XY Plane Selection	02	323
G18	XZ Plane Selection	02	323
G19	YZ Plane Selection	02	323
G20	Select Inches	06	323
G21	Select Metric	06	323
G28	Return To Machine Zero Point	00	323
G29	Return From Reference Point	00	324
G31	Feed Until Skip	00	324
G35	Automatic Tool Diameter Measurement	00	326
G36	Automatic Work Offset Measurement	00	328
G37	Automatic Tool Offset Measurement	00	329
G40	Cutter Compensation Cancel	07	331
G41	2D Cutter Compensation Left	07	331

Code	Description	Group	Page
G42	2D Cutter Compensation Right	07	331
G43	Tool Length Compensation + (Add)	08	331
G44	Tool Length Compensation - (Subtract)	08	331
G47	Text Engraving	00	332
G49	G43/G44/G143 Cancel	08	337
G50	Cancel Scaling	11	337
G51	Scaling	11	338
G52	Set Work Coordinate System	00 or 12	343
G53	Non-Modal Machine Coordinate Selection	00	343
G54	Select Work Coordinate System #1	12	343
G55	Select Work Coordinate System #2	12	343
G56	Select Work Coordinate System #3	12	343
G57	Select Work Coordinate System #4	12	343
G58	Select Work Coordinate System #5	12	343
G59	Select Work Coordinate System #6	12	343
G60	Uni-Directional Positioning	00	344
G61	Exact Stop Mode	15	344
G64	G61 Cancel	15	344
G65	Macro Subprogram Call Option	00	292
G66/G67	Modal Macro Subprogram Call Option	00	344
G68	Rotation	16	345
G69	Cancel G68 Rotation	16	349
G70	Bolt Hole Circle	00	349

Code	Description	Group	Page
G71	Bolt Hole Arc	00	350
G72	Bolt Holes Along an Angle	00	350
G73	High-Speed Peck Drilling Canned Cycle	09	351
G74	Reverse Tap Canned Cycle	09	353
G76	Fine Boring Canned Cycle	09	353
G77	Back Bore Canned Cycle	09	355
G80	Canned Cycle Cancel	09	357
G81	Drill Canned Cycle	09	357
G82	Spot Drill Canned Cycle	09	359
G83	Normal Peck Drilling Canned Cycle	09	360
G84	Tapping Canned Cycle	09	363
G85	Boring Canned Cycle	09	364
G86	Bore and Stop Canned Cycle	09	365
G89	Bore In, Dwell, Bore Out Canned Cycle	09	366
G90	Absolute Position Command	03	367
G91	Incremental Position Command	03	367
G92	Set Work Coordinate Systems Shift Value	00	367
G93	Inverse Time Feed Mode	05	368
G94	Feed Per Minute Mode	05	368
G95	Feed per Revolution	05	368
G98	Canned Cycle Initial Point Return	10	364
G99	Canned Cycle R Plane Return	10	370
G100	Cancel Mirror Image	00	371

Code	Description	Group	Page
G101	Enable Mirror Image	00	371
G103	Limit Block Buffering	00	372
G107	Cylindrical Mapping	00	373
G110	#7 Coordinate System	12	374
G111	#8 Coordinate System	12	374
G112	#9 Coordinate System	12	374
G113	#10 Coordinate System	12	374
G114	#11 Coordinate System	12	374
G115	#12 Coordinate System	12	374
G116	#13 Coordinate System	12	374
G117	#14 Coordinate System	12	374
G118	#15 Coordinate System	12	374
G119	#16 Coordinate System	12	374
G120	#17 Coordinate System	12	374
G121	#18 Coordinate System	12	374
G122	#19 Coordinate System	12	374
G123	#20 Coordinate System	12	374
G124	#21 Coordinate System	12	374
G125	#22 Coordinate System	12	374
G126	#23 Coordinate System	12	374
G127	#24 Coordinate System	12	374
G128	#25 Coordinate System	12	374
G129	#26 Coordinate System	12	374

Code	Description	Group	Page
G136	Automatic Work Offset Center Measurement	00	374
G141	3D+ Cutter Compensation	07	376
G143	5-Axis Tool Length Compensation +	08	379
G150	General Purpose Pocket Milling	00	381
G154	Select Work Coordinates P1-P99	12	388
G156	Broaching Canned Cycle	09	390
G167	Modify Setting	00	393
G174	CCW Non-Vertical Rigid Tap	00	394
G184	CW Non-Vertical Rigid Tap	00	394
G187	Setting the Smoothness Level	00	395
G234	Tool Center Point Control (TCPC)	08	395
G253	G253 Orient Spindle Normal To Feature Coordinate System	00	400
G254	Dynamic Work Offset (DWO)	23	401
G255	Cancel Dynamic Work Offset (DWO)	23	405
G266	Visible Axes Linear Rapid % Motion	00	405
G268 /	Enable Feature Coordinate System	14	405
G269	Disable Feature Coordinate System	14	405
G280	Turn off safe run	00	407
G281	Turn on safe run	00	407

About G-codes

G-codes tell the machine tool what type of action to do, such as:

- Rapid moves
- Move in a straight line or arc
- Set tool information

- Use letter addressing
- Define axis and beginning and ending positions
- Pre-set series of moves that bore a hole, cut a specific dimension, or a contour (canned cycles)

G-code commands are either modal or non-modal. A modal G-code stays in effect until the end of the program or until you command another G-code from the same group. A non-modal G-code affects only the line it is in; it does not affect the next program line. Group 00 codes are non-modal; the other groups are modal.

For a description of basic programming, refer to the basic programming section of the Programming chapter, starting on page **186**.

**NOTE:**

The Visual Programming System (VPS) is an optional programming mode that lets you program part features without manually writing G-code.

**NOTE:**

A program block can contain more than one G-code, but you cannot put two G-codes from the same group in the same program block.

Canned Cycles

Canned cycles are G-codes that do repetitive operations such as drilling, tapping, and boring. You define a canned cycle with alphabetic address codes. While the canned cycle is active, the machine does the defined operation every time you command a new position, unless you specify not to.

Using Canned Cycles

You can program canned cycle X and Y positions in either absolute (G90) or incremental (G91).

Example:

```

%
G81 G99 Z-0.5 R0.1 F6.5 (This drills one hole);
(at the present location) ;
G91 X-0.5625 L9 (This drills 9 more holes 0.5625);
(equally spaced in the X-negative direction) ;
%
```

There are (3) possible ways for a canned cycle to behave in the block in which you command it:

- If you command an X/Y position in the same block as the canned cycle G-code, the canned cycle executes. If Setting 28 is **OFF**, the canned cycle executes in the same block only if you command an X/Y position in that block.
- If Setting 28 is **ON**, and you command a canned cycle G-code with or without an X/Y position in the same block, the canned cycle executes in that block—either at the position where you commanded the canned cycle, or at the new X/Y position.
- If you include a loop count of zero (**L0**) in the same block as the canned cycle G-code, the canned cycle does not execute in that block. The canned cycle does not execute regardless of Setting 28 and whether or not the block also contains an X/Y position.



NOTE:

Unless otherwise noted, the program examples given here assume that Setting 28 is ON.

When a canned cycle is active, it repeats at every new X/Y position in the program. In the example above, with each incremental move of -0.5625 in the X axis, the canned cycle (G81) drills a 0.5" deep hole. The **L** address code in the incremental position command (G91) repeats this operation (9) times.

Canned cycles operate differently depending on whether incremental (G91) or absolute (G90) positioning is active. Incremental motion in a canned cycle is often useful, because it lets you use a loop (**L**) count to repeat the operation with an incremental X or Y move between cycles.

Example:

```
%  
X1.25 Y-0.75 (center location of bolt hole pattern) ;  
G81 G99 Z-0.5 R0.1 F6.5 L0;  
(L0 on the G81 line will not drill a hole) ;  
G70 I0.75 J10. L6 (6-hole bolt hole circle) ;  
%
```

The R plane value and the Z depth value are important canned cycle address codes. If you specify these addresses in a block with XY commands, the control does the XY move, and it does all of the subsequent canned cycles with the new R or Z value.

The X and Y positioning in a canned cycle is done with rapid moves.

G98 and G99 change the way the canned cycles operate. When G98 is active, the Z-Axis will return to the initial start plane at the completion of each hole in the canned cycle. This allows for positioning up and around areas of the part and/or clamps and fixtures.

When G99 is active, the Z-Axis returns to the R (rapid) plane after each hole in the canned cycle for clearance to the next XY location. Changes to the G98/G99 selection can also be made after the canned cycle is commanded, which will affect all later canned cycles.

A P address is an optional command for some canned cycles. This is a programmed pause at the bottom of the hole to help break chips, provide a smoother finish, and relieve any tool pressure to hold closer tolerance.

**NOTE:**

A P address used for one canned cycle is used in others unless canceled (G00, G01, G80 or the [RESET] button).

You must define an S (spindle speed) command in or before the canned cycle G-code block.

Tapping in a canned cycle needs a feed rate calculated. The feed formula is:

Spindle speed divided by threads per inch of the tap = feedrate in inches per minute

The metric version of the feed formula is:

RPM times metric pitch = feedrate in mm per minute

Canned cycles also benefit from the use of Setting 57. If this setting is ON, the machine stops after the X/Y rapids before it moves the Z Axis. This is useful to avoid nicking the part when the tool exits the hole, especially if the R plane is close to the part surface.

**NOTE:**

The Z, R, and F addresses are required data for all canned cycles.

Canceling a Canned Cycle

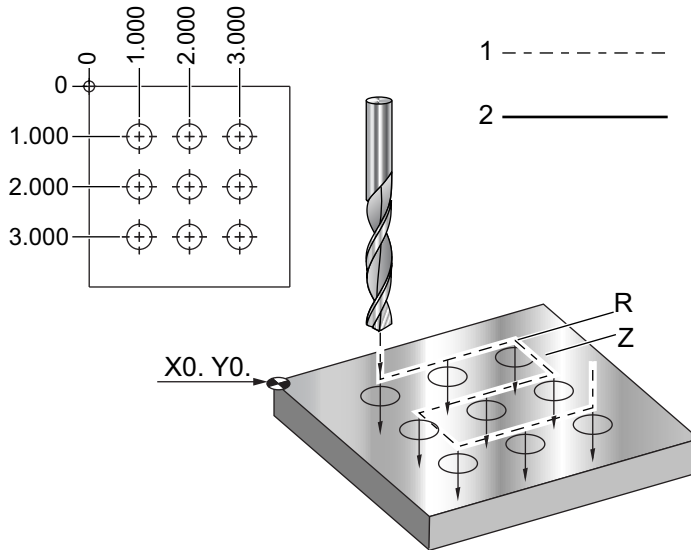
G80 cancels all canned cycles. G00 or G01 code also cancel a canned cycle. A canned cycle stays active until G80, G00, or G01 cancels it.

Looping Canned Cycles

This is an example of a program that uses an incrementally looped drilling canned cycle.

**NOTE:**

The sequence of drilling used here is designed to save time and to follow the shortest path from hole to hole.

F7.2: G81 Drilling Canned Cycle: [R] R Plane, [Z] Z Plane, [1] Rapid, [2] Feed.


```

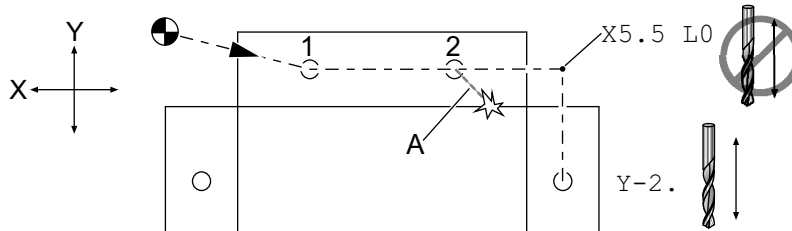
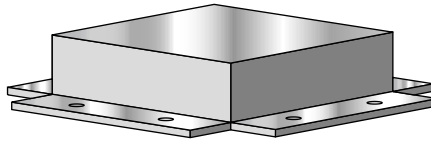
%
O60810 (Drilling grid plate 3x3 holes) ;
(G54 X0 Y0 is at the top-left of part) ;
(Z0 is at the top of the part) ;
(T1 is a drill) ;
(BEGIN PREPARATION BLOCKS) ;
T1 M06 (Select tool 1) ;
G00 G90 G40 G49 G54 (Safe startup) ;
G00 G54 X1.0 Y-1.0 (Rapid to 1st position) ;
S1000 M03 (Spindle on CW) ;
G43 H01 Z0.1 (Activate tool offset 1) ;
M08 (Coolant on) ;
(BEGIN CUTTING BLOCKS) ;
G81 Z-1.5 F15. R.1 (Begin G81 & drill 1st hole) ;
G91 X1.0 L2 (Drill 1st row of holes) ;
G90 Y-2.0 (1st hole of 2nd row) ;
G91 X-1.0 L2 (2nd row of holes) ;
G90 Y-3.0 (1st hole of 3rd row) ;
G91 X1.0 L2 (3rd row of holes) ;
(BEGIN COMPLETION BLOCKS) ;
G00 Z0.1 M09 (Rapid retract, Coolant off) ;
G53 G49 Z0 M05 (Z home, Spindle off) ;
G53 Y0 (Y home) ;
M30 (End program) ;
%
```


X/Y Plane Obstacle Avoidance in a Canned Cycle

If you put an L0 on a canned cycle line, you can make an X, Y move without the Z-Axis canned operation. This is a good way to avoid obstacles in the X/Y plane.

Consider a 6" square aluminum block, with a 1" by 1" deep flange on each side. The print calls for two holes centered on each side of the flange. You use a G81 canned cycle to make the holes. If you simply command the hole positions in the drill canned cycle, the control takes the shortest path to the next hole position, which puts the tool through the corner of the workpiece. To prevent this, command a position past the corner, so the move to the next hole position does not go through the corner. The drill canned cycle is active, but you do not want a drill cycle at that position, so use L0 in this block.

F7.3: Canned Cycle Obstacle Avoidance. The program drills holes [1] and [2], then moves to X5.5. Because of the L0 address in this block, there is no drill cycle in this position. Line [A] shows the path that the canned cycle would follow without the obstacle avoidance line. The next move is in the Y Axis only to the position of the third hole, where the machine does another drill cycle.



```

%
O60811 (X Y OBSTACLE AVOIDANCE) ;
(G54 X0 Y0 is at the top-left of part) ;
(Z0 is at the top of the part) ;
(BEGIN PREPARATION BLOCKS) ;
T1 M06 (Select tool 1) ;
G00 G90 G40 G49 G54 (Safe startup) ;
G00 G54 X2. Y-0.5 (Rapid to first position) ;
S1000 M03 (Spindle on CW) ;
G43 H01 Z0.1 M08 (Activate tool offset 1) ;
(Coolant on) ;
(BEGIN CUTTING BLOCKS) ;
G81 Z-2. R-0.9 F15. (Begin G81 & Drill 1st hole) ;
X4. (Drill 2nd hole) ;
X5.5 L0 (Corner avoidance) ;
Y-2. (3rd hole) ;

```

```
Y-4. (4th hole) ;
Y-5.5 L0 (Corner avoidance) ;
X4. (5th hole) ;
X2. (6th hole) ;
X0.5 L0 (Corner avoidance) ;
Y-4. (7th hole) ;
Y-2. (8th hole) ;
(BEGIN COMPLETION BLOCKS) ;
G00 Z0.1 M09 (Rapid retract, Coolant off) ;
G53 G49 Z0 M05 (Z home, Spindle off) ;
G53 Y0 (Y home) ;
M30 (End program) ;
%
```

G00 Rapid Motion Positioning (Group 01)

- ***X** - Optional X-Axis motion command
- ***Y** - Optional Y-Axis motion command
- ***Z** - Optional Z-Axis motion command
- ***A** - Optional A-Axis motion command
- ***B** - Optional B-Axis motion command
- ***C** - Optional C-axis motion command
- * **E** - Optional code to specify the rapid rate of the block as a percent.

*indicates optional

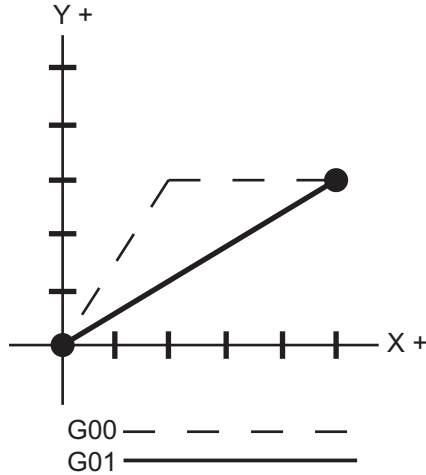
G00 is used to move the machine axes at the maximum speed. It is primarily used to quickly position the machine to a given point before each feed (cutting) command. This G code is modal, so a block with **G00** causes all following blocks to be rapid motion until another Group 01 code is specified.

A rapid move also cancels an active canned cycle, just like **G80** does.



NOTE:

Generally, rapid motion will not be in a single straight line. Each axis specified moves at its maximum speed, but all axes will not necessarily complete their motions at the same time. The machine waits until all motions are complete before starting the next command.

F7.4: G00 Multi-linear Rapid Motion

Setting 57 (Exact Stop Canned X-Y) can change how closely the machine waits for a precise stop before and after a rapid move.

G01 Linear Interpolation Motion (Group 01)

F - Feedrate

* **X** - X-Axis motion command

* **Y** - Y-Axis motion command

* **Z** - Z-Axis motion command

* **A** - A-Axis motion command

* **B** - B-Axis motion command

* **C** - C-axis motion command

* **,R** - Radius of the arc

* **,C** - Chamfer distance

*indicates optional

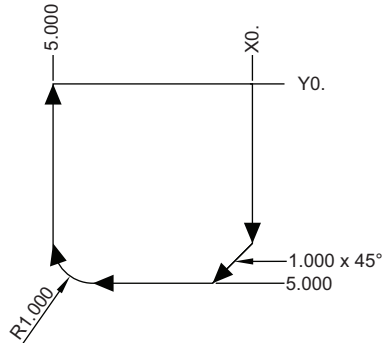
G01 moves the axes at a commanded feed rate. It is primarily used to cut the workpiece. A G01 feed can be a single axis move or a combination of the axes. The rate of axes movement is controlled by feedrate (**F**) value. This **F** value can be in units (inch or metric) per minute (G94) or per spindle revolution (G95), or time to complete the motion (G93). The feedrate value (**F**) can be on the current program line, or a previous line. The control will always use the most recent **F** value until another **F** value is commanded. If in G93, an **F** value is used on each line. Refer also to G93.

G01 is a modal command, which means that it will stay in effect until canceled by a rapid command such as G00 or a circular motion command like G02 or G03.

Once a G01 is started all programmed axes move and reach the destination at the same time. If an axis is not capable of the programmed feedrate the control will not proceed with the G01 command and an alarm (max feedrate exceeded) will be generated.

Corner Rounding and Chamfering Example

F7.5: Corner Rounding and Chamfering Example #1



```

%
O60011 (G01 CORNER ROUNDING & CHAMFER) ;
(G54 X0 Y0 is at the top-right of part) ;
(Z0 is on top of the part) ;
(T1 is an end mill) ;
(BEGIN PREPARATION BLOCKS) ;
T1 M06 (Select tool 1) ;
G00 G90 G40 G49 G54 (Safe startup) ;
G00 G54 X0 Y0 (Rapid to 1st position) ;
S1000 M03 (Spindle on CW) ;
G43 H01 Z0.1 (Activate tool offset 1) ;
M08 (Coolant on) ;
(BEGIN CUTTING BLOCKS) ;
G01 Z-0.5 F20. (Feed to cutting depth) ;
Y-5. ,C1. (Chamfer) ;
X-5. ,R1. (Corner-round) ;
Y0 (Feed to Y0.) ;
(BEGIN COMPLETION BLOCKS) ;
G00 Z0.1 M09 (Rapid retract, Coolant off) ;
G53 G49 Z0 M05 (Z home, Spindle off) ;
G53 Y0 (Y home) ;
M30 (End program) ;
%
```

A chamfer block or a corner-rounding block can be automatically inserted between two linear interpolation blocks by specifying ,C (chamfering) or ,R (corner rounding). There must be a terminating linear interpolation block after the beginning block (a G04 pause may intervene).

These two linear interpolation blocks specify a corner of intersection. If the beginning block specifies a *C*, the value after the *C* is the distance from the intersection to where the chamfer begins, and also the distance from the intersection to where the chamfer ends. If the beginning block specifies an *R*, the value after the *R* is the radius of a circle tangent to the corner at two points: the beginning of the corner-rounding arc and the endpoint of that arc. There can be consecutive blocks with chamfering or corner rounding specified. There must be movement on the two axes specified by the selected plane, whether the active plane is XY (G17), XZ (G18) or YZ (G19).

G02 CW / G03 CCW Circular Interpolation Motion (Group 01)

F - Feedrate

***I** - Distance along X Axis to center of circle

***J** - Distance along Y Axis to center of circle

***K** - Distance along Z Axis to center of circle

***R** - Radius of circle

***X** - X-Axis motion command

***Y** - Y-Axis motion command

***Z** - Z-Axis motion command

***A** - A-Axis motion command

*indicates optional



NOTE:

I, J and K is the preferred method to program a radius. R is suitable for general radii.

These G codes are used to specify circular motion. Two axes are necessary to complete circular motion and the correct plane, G17-G19, must be used. There are two methods of commanding a G02 or G03, the first is using the **I, J, K** addresses and the second is using the **R** address.

Using I, J, K addresses

I, J and **K** address are used to locate the arc center in relation to the start point. In other words, the **I, J, K** addresses are the distances from the starting point to the center of the circle. Only the **I, J, or K** specific to the selected plane are allowed (G17 uses **IJ**, G18 uses **IK** and G19 uses **JK**). The **X, Y, and Z** commands specify the end point of the arc. If the **X, Y, and Z** location for the selected plane is not specified, the endpoint of the arc is the same as the starting point for that axis.

To cut a full circle the **I, J, K** addresses must be used; using an **R** address will not work. To cut a full circle, do not specify an ending point (**X, Y, and Z**); program **I, J, or K** to define the center of the circle. For example:

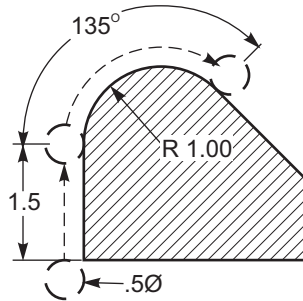
```
G02 I3.0 J4.0 (Assumes G17; XY plane) ;
```

Using the R address

The R-value defines the distance from the starting point to the center of the circle. Use a positive R-value for radii of 180° or less, and a negative R-value for radii more than 180°.

Programming Example

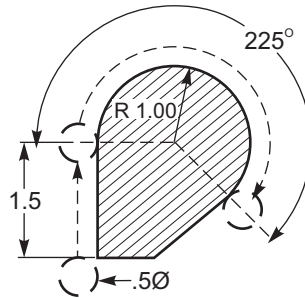
F7.6: Positive R Address Programming Example



```

%
O60021 (G02 POSITIVE R ADDRESS) ;
(G54 X0 Y0 is at the bottom-left of part) ;
(Z0 is on top of the part) ;
(T1 is a .5 in dia endmill) ;
(BEGIN PREPARATION BLOCKS) ;
T1 M06 (Select tool 1) ;
G00 G90 G40 G49 G54 (Safe startup) ;
G00 G54 X-0.25 Y-0.25 (Rapid to 1st position) ;
S1000 M03 (Spindle on CW) ;
G43 H01 Z0.1 (Activate tool offset 1) ;
M08 (Coolant on) ;
(BEGIN CUTTING BLOCKS) ;
G01 Z-0.5 F20. (Feed to cutting depth) ;
G01 Y1.5 F12. (Feed to Y1.5) ;
G02 X1.884 Y2.384 R1.25 (CW circular motion) ;
(BEGIN COMPLETION BLOCKS) ;
G00 Z0.1 M09 (Rapid retract, Coolant off) ;
G53 G49 Z0 M05 (Z home, Spindle off) ;
G53 Y0 (Y home) ;
M30 (End program) ;
%
```

F7.7: Negative R Address Programming Example



```

%
O60022 (G02 NEGATIVE R ADDRESS) ;
(G54 X0 Y0 is at the bottom-left of part) ;
(Z0 is on top of the part) ;
(T1 is a .5 in dia endmill) ;
(BEGIN PREPARATION BLOCKS) ;
T1 M06 (Select tool 1) ;
G00 G90 G40 G49 G54 (Safe startup) ;
G00 G54 X-0.25 Y-0.25 (Rapid to 1st position) ;
S1000 M03 (Spindle on CW) ;
G43 H01 Z0.1 (Activate tool offset 1) ;
M08 (Coolant on) ;
(BEGIN CUTTING BLOCKS) ;
G01 Z-0.5 F20. (Feed to cutting depth) ;
G01 Y1.5 F12. (Feed to Y1.5) ;
G02 X1.884 Y0.616 R-1.25 (CW circular motion) ;
(BEGIN COMPLETION BLOCKS) ;
G00 Z0.1 M09 (Rapid retract, Coolant off) ;
G53 G49 Z0 M05 (Z home, Spindle off) ;
G53 Y0 (Y home) ;
M30 (End program) ;
%

```

Thread Milling

Thread milling uses a standard G02 or G03 move to create the circular move in X-Y, then adds a Z move on the same block to create the thread pitch. This generates one turn of the thread; the multiple teeth of the cutter generate the rest. Typical block of code:

```

N100 G02 I-1.0 Z-.05 F5. (generates 1-inch radius for 20-pitch
thread) ;

```

Thread milling notes:

Internal holes smaller than 3/8 inch may not be possible or practical. Always climb cut the cutter.

Use a G03 to cut I.D. threads or a G02 to cut O.D. threads. An I.D. right hand thread will move up in the Z-Axis by the amount of one thread pitch. An O.D. right hand thread will move down in the Z-Axis by the amount of one thread pitch. $PITCH = 1/Threads\ per\ inch$ (Example - 1.0 divided by 8 TPI = .125)

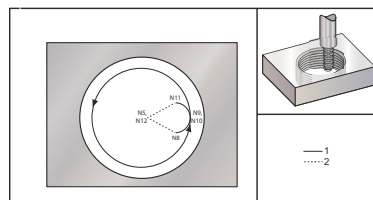
This program I.D. thread mills a 1.5 diameter x 8 TPI hole with a 0.750" diameter x 1.0" thread hob.

1. To start, take the hole diameter (1.500). Subtract the cutter diameter .750 and then divide by 2. $(1.500 - .75) / 2 = .375$
The result (.375) is the distance the cutter starts from the I.D. of the part.
2. After the initial positioning, the next step of the program is to turn on cutter compensation and move to the I.D. of the circle.
3. The next step is to program a complete circle (G02 or G03) with a Z-Axis command of the amount of one full pitch of the thread (this is called Helical Interpolation).
4. The last step is to move away from the I.D. of the circle and turn off cutter compensation.

You cannot turn cutter compensation off or on during an arc movement. You must program a linear move, either in the X or Y Axis, to move the tool to and from the diameter to cut. This move will be the maximum compensation amount that you can adjust.

Thread Milling Example

F7.8: Thread Milling Example, 1.5 Diameter X 8 TPI: [1]Tool Path, [2] Turn on and off cutter compensation.



NOTE:

Many thread mill manufacturers offer free online software to help you create your threading programs.

```
%  
O60023 (G03 THREAD MILL 1.5-8 UNC) ;  
(G54 X0 Y0 is at the center of the bore) ;  
(Z0 is on top of the part) ;
```



```

(T1 is a .5 in dia thread mill) ;
(BEGIN PREPARATION BLOCKS) ;
T1 M06 (Select tool 1) ;
G00 G90 G40 G49 G54 (Safe startup) ;
G00 G54 X0 Y0 (Rapid to 1st position) ;
S1000 M03 (Spindle on CW) ;
G43 H01 Z0.1 (Activate tool offset 1) ;
M08 (Coolant on) ;
(BEGIN CUTTING BLOCKS) ;
G01 Z-0.5156 F50. (Feed to starting depth) ;
(Z-0.5 minus 1/8th of the pitch = Z-0.5156) ;
G41 X0.25 Y-0.25 F10. D01 (cutter comp on) ;
G03 X0.5 Y0 I0 J0.25 Z-0.5 (Arc into thread) ;
(Ramps up by 1/8th of the pitch) ;
I-0.5 J0 Z-0.375 F20. (Cuts full thread) ;
(Z moving up by the pitch value to Z-0.375) ;
X0.25 Y0.25 I-0.25 J0 Z-0.3594 (Arc out of thread) ;
(Ramp up by 1/8th of the pitch) ;
G40 G01 X0 Y1 (cutter comp off) ;
(BEGIN COMPLETION BLOCKS) ;
G00 Z0.1 M09 (Rapid retract, Coolant off) ;
G53 G49 Z0 M05 (Z home, Spindle off) ;
G53 Y0 (Y home) ;
M30 (End program) ;
%
```

N5 = XY at the center of the hole

N7 = Thread depth, minus 1/8 pitch

N8 = Enable Cutter Compensation

N9 = Arcs into thread, ramps up by 1/8 pitch

N10 = Cuts full thread, Z moving up by the pitch value

N11 = Arcs out of thread, ramps up 1/8 pitch

N12 = Cancel Cutter Compensation

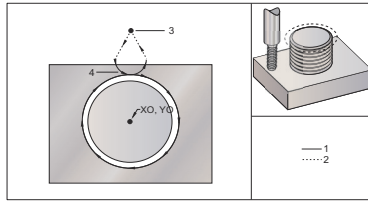


NOTE:

Maximum cutter compensation adjustability is 0.175.

Outside Diameter (O.D.) Thread Milling

F7.9: O.D. Thread Milling Example, 2.0 diameter post x 16 TPI: [1] Tool Path [2] Rapid Positioning, Turn on and off cutter compensation, [3] Start Position, [4] Arc with Z.



```

%
O60024 (G02 G03 THREAD MILL 2.0-16 UNC) ;
(G54 X0 Y0 is at the center of the post) ;
(Z0 is on top of the opost) ;
(T1 is a .5 in dia thread mill) ;
(BEGIN PREPARATION BLOCKS) ;
T1 M06 (Select tool 1) ;
G00 G90 G40 G49 G54 (Safe startup) ;
G00 G54 X0 Y2.4 (Rapid to 1st position) ;
S1000 M03 (Spindle on CW) ;
G43 H01 Z0.1 (Activate tool offset 1) ;
M08 (Coolant on) ;
(BEGIN CUTTING BLOCKS) ;
G00 Z-1. (Rapids to Z-1.) ;
G01 G41 D01 X-0.5 Y1.4 F20. (Linear move) ;
(Cutter comp on) ;
G03 X0 Y0.962 R0.5 F25. (Arc into thread) ;
G02 J-0.962 Z-1.0625 (Cut threads while lowering Z) ;
G03 X0.5 Y1.4 R0.5 (Arc out of thread) ;
G01 G40 X0 Y2.4 F20. (Linear move) ;
(Cutter comp off) ;
(BEGIN COMPLETION BLOCKS) ;
G00 Z0.1 M09 (Rapid retract, Coolant off) ;
G53 G49 Z0 M05 (Z home, Spindle off) ;
G53 Y0 (Y home) ;
M30 (End program) ;
%
```



NOTE:

A cutter compensation move can consist of any X or Y move from any position as long as the move is greater than the amount being compensated.

Single-Point Thread Milling

This program is for a 1.0" diameter hole with a cutter diameter of 0.500" and a thread pitch of 0.125 (8TPI). This program positions itself in Absolute G90 and then switches to G91 Incremental mode on line N7.

The use of an Lxx value on line N10 allows us to repeat the thread milling arc multiple times, with a Single-Point Thread Mill.

```

%
O60025 (G03 SNGL PNT THREAD MILL 1.5-8 UNC) ;
(G54 X0 Y0 is at the center of the bore) ;
(Z0 is on top of the part) ;
(T1 is a .5 in dia thread mill) ;
(BEGIN PREPARATION BLOCKS) ;
T1 M06 (Select tool 1) ;
G00 G90 G40 G49 G54 (Safe startup) ;
G00 G54 X0 Y0 (Rapid to 1st position) ;
S1000 M03 (Spindle on CW) ;
G43 H01 Z0.1 (Activate tool offset 1) ;
M08 (Coolant on) ;
(BEGIN CUTTING BLOCKS) ;
G91 G01 Z-0.5156 F50. (Feed to starting depth) ;
(Z-0.5 minus 1/8th of the pitch = Z-0.5156) ;
G41 X0.25 Y-0.25 F20. D01 (Cutter comp on) ;
G03 X0.25 Y0.25 I0 J0.25 Z0.0156 (Arc into thread) ;
(Ramps up by 1/8th of the pitch) ;
I-0.5 J0 Z0.125 L5 (Thread cut, repeat 5 times) ;
X-0.25 Y0.25 I-0.25 J0 Z0.0156 (Arc out of thread) ;
(Ramps up by 1/8th of the pitch) ;
G40 G01 X-0.25 Y-0.25 (Cutter comp off) ;
(BEGIN COMPLETION BLOCKS) ;
G00 Z0.1 M09 (Rapid retract, Coolant off) ;
G53 G49 Z0 M05 (Z home, Spindle off) ;
G53 Y0 (Y home) ;
M30 (End program) ;
%
```

Specific line description:

N5 = XY at the center of the hole

N7 = Thread depth, minus 1/8 pitch. Switches to G91

N8 = Enable Cutter Compensation

N9 = Arcs into thread, ramps up by 1/8 pitch

N10 = Cuts full thread, Z moving up by the pitch value

N11 = Arcs out of thread, ramps up 1/8 pitch

N12 = Cancel Cutter Compensation

N13 = Switches back to G90 Absolute positioning

Helical Motion

Helical (spiral) motion is possible with G02 or G03 by programming the linear axis that is not in the selected plane. This third axis will be moved along the specified axis in a linear manner, while the other two axes will be moved in the circular motion. The speed of each axis will be controlled so that the helical rate matches the programmed feedrate.

G04 Dwell (Group 00)

P - The dwell time in seconds or milliseconds



NOTE:

The P values are modal. This means if you are in the middle of a canned cycle and a G04 Pnn or an M97 Pnn is used the P value will be used for the dwell / subprogram as well as the canned cycle.

G04 specifies a delay or dwell in the program. The block with G04 delay for the time specified by the P address code. For example:

```
G04 P10.0. ;
```

Delays the program for 10 seconds.



NOTE:

G04 P10. is a dwell of 10 seconds; G04 P10 is a dwell of 10 milliseconds. Make sure you use decimal points correctly so that you specify the correct dwell time.

G09 Exact Stop (Group 00)

G09 code is used to specify a controlled axes stop. It affects only the block in which it is commanded. It is non-modal and does not affect the blocks that come after the block where it is commanded. Machine moves decelerate to the programmed point before the control processes the next command.

G10 Set Offsets (Group 00)

G10 lets you set offsets within the program. G10 replaces manual offset entry (i.e. Tool length and diameter, and work coordinate offsets).

L – Selects offset category.

L2 Work coordinate origin for G52 and G54-G59

L10 Length offset amount (for H code)

L1 or **L11** Tool wear offset amount (for H code)

L12 Diameter offset amount (for D code)

L13 Diameter wear offset amount (for D code)

L14 Sets max tool speed (for P code and R code)

L20 Auxiliary work coordinate origin for G110-G129

P – Selects a specific offset.

P1-P200 Used to reference D or H code offsets (L10-L13) or Specifies Tool Number (L14)

P0 G52 references work coordinate (L2)

P1-P6 G54-G59 references work coordinates (L2)

P1-P20 G110-G129 references auxiliary coordinates (L20)

P1-P99 G154 reference auxiliary coordinate (L20)

***R** Offset value or increment for length and diameter.

***X** X-Axis zero location.

***Y** Y-Axis zero location.

***Z** Z-Axis zero location.

***A** A-Axis zero location.

***B** B-Axis zero location.

***C** C-Axis zero location.

*indicates optional

```

%
O60100 (G10 SET OFFSETS) ;
G10 L2 P1 G91 X6.0 ;
(Move coordinate G54 6.0 to the right) ;
;
G10 L20 P2 G90 X10. Y8. ;
(Set work coordinate G111 to X10.0 Y8.0) ;

;
G10 L10 G90 P5 R2.5 ;
(Set offset for Tool #5 to 2.5) ;
;
G10 L12 G90 P5 R.375 ;
(Set diameter for Tool #5 to .375") ;
;
G10 L14 P5 R500 ;
(Set diameter for Tool #5 to .375") ;
;

```

```
G10 L20 P50 G90 X10. Y20. ;  
(Set work coordinate G154 P50 to X10. Y20.) ;  
%
```

G12 Circular Pocket Milling CW / G13 Circular Pocket Milling CCW (Group 00)

These G-codes mill circular shapes. They are different only in that G12 uses a clockwise direction and G13 uses a counterclockwise direction. Both G-codes use the default XY circular plane (G17) and imply the use of G42 (cutter compensation) for G12 and G41 for G13. G12 and G13 are non-modal.

***D** - Tool radius or diameter selection**

F - Feedrate

I - Radius of first circle (or finish if no K). I value must be greater than Tool Radius, but less than K value.

***K** - Radius of finished circle (if specified)

***L** - Loop count for repeating deeper cuts

***Q** - Radius increment, or stepover (must be used with K)

Z - Depth of cut or increment

*indicates optional

**To get the programmed circle diameter, the control uses the selected D code tool size. To program tool centerline select D0.



NOTE:

Specify D00 if you do not want to use cutter compensation. If you do not specify a D value in the G12/G13 block, the control uses the last commanded D value, even if it was previously canceled with a G40.

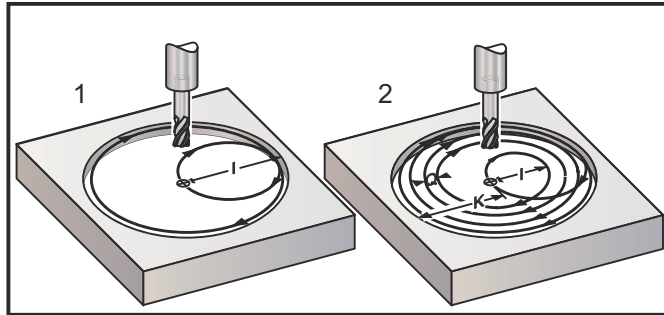
Rapid-position the tool to the center of the circle. To remove all the material inside the circle, use I and Q values less than the tool diameter and a K value equal to the circle radius. To cut a circle radius only, use an I value set to the radius and no K or Q value.

```
%  
O60121 (SAMPLE G12 AND G13) ;  
(G54 X0 Y0 is center of first pocket) ;  
(Z0 is on top of the part) ;  
(T1 is a .25 in. dia endmill) ;  
(BEGIN PREPARATION BLOCKS) ;  
T1 M06 (Select tool 1) ;  
G00 G90 G40 G49 G54 (Safe startup) ;  
G00 G54 X0 Y0 (Rapid to 1st position) ;  
S1000 M03 (Spindle on CW) ;  
G43 H01 Z0.1 (Tool offset 1 on) ;
```

```

M08 (Coolant on) ;
(BEGIN CUTTING BLOCKS) ;
G12 I0.75 F10. Z-1.2 D01 (Finish pocket CW) ;
G00 Z0.1 (Retract) ;
X5. (Move to center of next pocket) ;
G12 I0.3 K1.5 Q1. F10. Z-1.2 D01 ;
(Rough & finish CW) ;
G00 Z0.1 (Retract) ;
X10. (Move to center of next pocket) ;
G13 I1.5 F10. Z-1.2 D01 (Finish CCW) ;
G00 Z0.1 (Retract) ;
X15. (Move to center of the last pocket) ;
G13 I0.3 K1.5 Q0.3 F10. Z-1.2 D01 ;
(Rough & finish CCW) ;
(BEGIN COMPLETION BLOCKS) ;
G00 Z0.1 M09 (Rapid retract, Coolant off) ;
G53 G49 Z0 M05 (Z home, Spindle off) ;
G53 Y0 (Y home) ;
M30 (End program) ;
%
```

F7.10: Circular Pocket Milling, G12 Clockwise shown: [1] I only, [2] I, K and Q only.



These G codes assume cutter compensation, so you do not need to program G41 or G42 in the program block. However, you must include a D offset number, for cutter radius or diameter, to adjust the circle diameter.

These program examples show the G12 and G13 format, and the different ways that you can write these programs.

Single Pass: Use I only.

Applications: One-pass counter boring; rough and finish pocketing of smaller holes, ID cutting of O-ring grooves.

Multiple Pass: Use I, K, and Q.

Applications: Multiple-pass counter boring; rough and finish pocketing of large holes with cutter overlap.

Multiple Z-Depth Pass: Using **I** only, or **I**, **K**, and **Q** (**G91** and **L** may also be used).

Applications: Deep rough and finish pocketing.

The previous figures show the tool path during the pocket milling G-codes.

Example **G13** multiple-pass using **I**, **K**, **Q**, **L**, and **G91**:

This program uses **G91** and an **L** count of 4, so this cycle will execute a total of four times. The **Z** depth increment is 0.500. This is multiplied by the **L** count, making the total depth of this hole 2.000.

The **G91** and **L** count can also be used in a **G13 I** only line.

```
%
O60131 (G13 G91 CCW EXAMPLE) ;
(G54 X0 Y0 is center of 1st pocket) ;
(Z0 is on top of the part) ;
(T1 is a 0.5 in. dia endmill) ;
(BEGIN PREPARATION BLOCKS) ;
T1 M06 (Select tool 1) ;
G00 G90 G40 G49 G54 (Safe startup) ;
G00 G54 X0 Y0 (Rapid to 1st position) ;
S1000 M03 (Spindle on CW) ;
G43 H01 Z0.1 (Activate tool offset 1) ;
M08 (Coolant on) ;
(BEGIN CUTTING BLOCKS) ;
G13 G91 Z-.5 I.400 K2.0 Q.400 L4 D01 F20. ;
(Rough & finish CCW) ;
(BEGIN COMPLETION BLOCKS) ;
G00 G90 Z0.1 M09 (Rapid retract, coolant off) ;
G53 G49 Z0 M05 (Z home, spindle off) ;
G53 Y0 (Y home) ;
M30 (End program) ;
%
```


G17 XY / G18 XZ / G19 YZ Plane Selection (Group 02)

The face of the workpiece to have a circular milling operation (G02, G03, G12, G13) done to it must have two of the three main axes (X, Y and Z) selected. One of three G codes is used to select the plane, G17 for XY, G18 for XZ, and G19 for YZ. Each is modal and applies to all subsequent circular motions. The default plane selection is G17, which means that a circular motion in the XY plane can be programmed without selecting G17. Plane selection also applies to G12 and G13, circular pocket milling, (always in the XY plane).

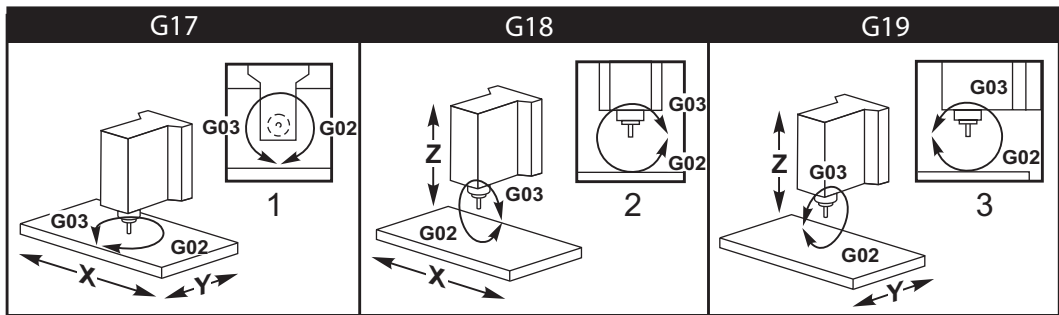
If cutter radius compensation is selected (G41 or G42), only use the XY plane (G17) for circular motion.

G17 Defined - Circular motion with the operator looking down on the XY table from above. This defines the motion of the tool relative to the table.

G18 Defined - Circular motion is defined as the motion for the operator looking from the rear of the machine toward the front control panel.

G19 Defined - Circular motion is defined as the motion for the operator looking across the table from the side of the machine where the control panel is mounted.

F7.11: G17, G18, and G19 Circular Motion Diagrams: [1] Top view, [2] Front view, [3] Right view.



G20 Select Inches / G21 Select Metric (Group 06)

Use G20 (inch) and G21 (mm) codes are to make sure that the inch/metric selection is set correctly for the program. Use Setting 9 to select between inch and metric programming. G20 in a program causes an alarm if Setting 9 is not set to inch.

G28 Return to Machine Zero Point (Group 00)

The G28 code returns all axes (X, Y, Z, A and B) simultaneously to the machine zero position when no axis is specified on the G28 line.

Alternatively, when one or more axes locations are specified on the G28 line, G28 will move to the specified locations and then to machine zero. This is called the G29 reference point; it is saved automatically for optional use in G29.

Setting 108 affects the way that rotary axes return when you command a G28. Refer to page 464 for more information.

```
%  
G28 G90 X0 Y0 Z0 (moves to X0 Y0 Z0) ;  
G28 G90 X1. Y1. Z1. (moves to X1. Y1. Z1.) ;  
G28 G91 X0 Y0 Z0 (moves directly to machine zero) ;  
G28 G91 X-1. Y-1. Z-1 (moves incrementally -1.) ;  
%
```

G29 Return From Reference Point (Group 00)

G29 moves the axes to a specific position. The axes selected in this block are moved to the G29 reference point saved in G28, and then moved to the location specified in the G29 command.

G31 Feed Until Skip (Group 00)

(This G-code is optional and requires a probe)

This G-code is used to record a probed location to a macro variable.

F - Feedrate

- ***X** - X-Axis absolute motion command
- ***Y** - Y-Axis absolute motion command
- ***Z** - Z-Axis absolute motion command
- ***A** - A-Axis absolute motion command
- ***B** - B-Axis absolute motion command
- ***C** - C-axis absolute motion command (UMC)

*indicates optional

This G-code moves the programmed axes while looking for a signal from the probe (skip signal). The specified move is started and continues until the position is reached or the probe receives a skip signal. If the probe receives a skip signal during the G31 move, axis motion stops, the control beeps and records the skip signal position to macro variables. The program will then execute the next line of code. If the probe does not receive a skip signal during the G31 move, the control will not beep and the skip signal position will be recorded at the end of the programmed move. The program will continue. This G-code requires at least one Axis specified and a feedrate. If the command contains neither, an alarm is generated.

Macro variables #5061 through #5066 are designated to store skip signal positions for each axis. For more information about these skip signal variables see the macro section of this manual.

Notes:

This code is non-modal and only applies to the block of code in which G31 is specified.

Do not use Cutter Compensation (G41, G42) with a G31.

The G31 line must have a Feed command. To avoid damaging the probe, use a feed rate below F100. (inch) or F2500. (metric).

Turn on the probe before using G31.

If your mill has the standard Renishaw probing system, use the following commands to turn on the probe.

Use the following code to turn on the spindle probe.

```
M59 P3 ;
```

Use the following code to turn on the tool-setting probe.

```
M59 P2 ;  
G04 P1.0 ;  
M59 P3 ;
```

Use the following code to turn off either probe.

```
M69 P3 ;
```

Also see M75, M78 and M79 ;

Sample program:

This sample program measures the top surface of a part with the spindle probe traveling in the Z negative direction. To use this program, the G54 part location must be set at, or close to the surface to be measured.

```
%  
O60311 (G31 SPINDLE PROBE) ;  
(G54 X0. Y0. is at the center of the part) ;  
(Z0. is at, or close to the surface) ;  
(T1 is a Spindle probe) ;  
(PREPARATION) ;  
T1 M06 (Select Tool 1) ;  
G00 G90 G54 X0 Y0 (Rapid to X0. Y0.) ;  
M59 P3 (Spindle probe on) ;  
G43 H1 Z1. (Activate tool offset 1) ;  
(PROBING) ;  
G31 Z-0.25 F50. (Measure top surface) ;  
Z1. (Retract to Z1.) ;  
M69 P3 (Spindle probe off) ;
```

```
(COMPLETION) ;  
G00 G53 Z0. (Rapid retract to Z home) ;  
M30 (End program) ;  
%
```

G35 Automatic Tool Diameter Measurement (Group 00)

(This G-code is optional and requires a probe)

This G-code is used to set a tool diameter offset.

F - Feedrate

***D** - Tool diameter offset number

***X** - X-Axis command

***Y** - Y-Axis command

*indicates optional

Automatic Tool Diameter Offset Measurement function (G35) is used to set the tool diameter (or radius) using two touches of the probe; one on each side of the tool. The first point is set with a G31 block using an M75, and the second point is set with the G35 block. The distance between these two points is set into the selected (non-zero) Dnnn offset.

Setting 63 Tool Probe Width is used to reduce the measurement of the tool by the width of the tool probe. See the settings section of this manual for more information about Setting 63.

This G-code moves the axes to the programmed position. The specified move is started and continues until the position is reached or the probe sends a signal (skip signal).

NOTES:

This code is non-modal and only applies to the block of code in which G35 is specified.

Do not use Cutter Compensation (G41, G42) with a G35.

To avoid damaging the probe, use a feed rate below F100. (inch) or F2500. (metric).

Turn on the tool-setting probe before using G35.

If your mill has the standard Renishaw probing system, use the following commands to turn on the tool-setting probe.

```
M59 P2 ;  
G04 P1.0 ;  
M59 P3 ;
```

Use the following commands to turn off the tool-setting probe.

M69 P3 ;

Turn on the spindle in reverse (M04), for a right handed cutter.

Also see M75, M78, and M79.

Also see G31.

Sample program:

This sample program measures the diameter of a tool and records the measured value to the tool offset page. To use this program, the G59 Work Offset location must be set to the tool-setting probe location.

```

%
O60351 (G35 MEASURE AND RECORD TOOL DIA OFFSET) ;
(G59 X0 Y0 is the tool setting probe location) ;
(Z0 is at the surface of tool-setting probe) ;
(T1 is a spindle probe) ;
(BEGIN PREPARATION BLOCKS) ;
T1 M06 (Select tool 1) ;
G00 G90 G59 X0 Y-1. (Rapid tool next to probe) ;
M59 P2 (Select tool-setting probe) ;
G04 P1. (Dwell for 1 second) ;
M59 P3 (Probe on) ;
G43 H01 Z1. (Activate tool offset 1) ;
S200 M04 (Spindle on CCW) ;
(BEGIN PROBING BLOCKS) ;
G01 Z-0.25 F50. (Feed tool below surface of probe) ;
G31 Y-0.25 F10. M75 (Set reference point) ;
G01 Y-1. F25. (Feed away from the probe) ;
Z0.5 (Retract above the probe) ;
Y1. (Move over the probe in Y-axis) ;
Z-0.25 (Move tool below surface of the probe) ;
G35 Y0.205 D01 F10. ;
(Measure & record tool diameter) ;
(Records to tool offset 1);
G01 Y1. F25. (Feed away from the probe) ;
Z1. (Retract above the probe) ;
M69 P3 (Probe off) ;
(BEGIN COMPLETION BLOCKS) ;
G00 G53 Z0. (Rapid retract to Z home) ;
M30 (End program) ;
%
```

G36 Automatic Work Offset Measurement (Group 00)

(This G-code is optional and requires a probe)

This G-code is used to set work offsets with a probe.

F - Feedrate

***I** - Offset distance along X-Axis

***J** - Offset distance along Y-Axis

***K** - Offset distance along Z-Axis

***X** - X-Axis motion command

***Y** - Y-Axis motion command

***Z** - Z-Axis motion command

*indicates optional

Automatic Work Offset Measurement (G36) is used to command a probe to set work coordinate offsets. A G36 will feed the axes of the machine in an effort to probe the work piece with a spindle mounted probe. The axis (axes) will move until a signal from the probe is received or the end of the programmed move is reached. Tool compensation (G41, G42, G43, or G44) must not be active when this function is performed. The point where the skip signal is received becomes the zero position for the currently active work coordinate system of each axis programmed. This G-code requires at least one Axis specified, if neither are found, an alarm is generated.

If an I, J, or K is specified, the appropriate axis work offset is shifted by the amount in the I, J, or K command. This allows the work offset to be shifted away from where the probe actually contacts the part.

NOTES:

This code is non-modal and only applies to the block of code in which G36 is specified.

The points probed are offset by the values in Settings 59 through 62. See the settings section of this manual for more information.

Do not use Cutter Compensation (G41, G42) with a G36.

Do not use tool length Compensation (G43, G44) with G36

To avoid damaging the probe, use a feed rate below F100. (inch) or F2500. (metric).

Turn on the spindle probe before using G36.

If your mill has the standard Renishaw probing system, use the following commands to turn on the spindle probe.

```
M59 P3 ;
```

Use the following commands to turn off the spindle probe.

M69 P3 ;

Also see M78, and M79.

```

%
O60361 (G36 AUTO WORK OFFSET MEASUREMENT) ;
(G54 X0 Y0 is at the top-center of the part) ;
(Z0 is at the surface of part) ;
(T1 is a Spindle probe) ;
(BEGIN PREPARATION BLOCKS) ;
T1 M06 (Select tool 20) ;
G00 G90 G54 X0 Y1. (Rapid to 1st position) ;
(BEGIN PROBING BLOCKS) ;
M59 P3 (Spindle probe on) ;
Z-.5 (Move the probe below surface of part) ;
G01 G91 Y-0.5 F50. (Feed towards the part) ;
G36 Y-0.7 F10. (Measure and record Y offset) ;
G91 Y0.25 F50. (Move incrementally away from part) ;
G00 Z1. (Rapid retract above part) ;
M69 P3 (Spindle probe off) ;
(BEGIN COMPLETION BLOCKS) ;
G00 G90 G53 Z0. (Rapid retract to Z home) ;
M30 (End program) ;
%
```

G37 Automatic Tool Offset Measurement (Group 00)

(This G-code is optional and requires a probe)

This G-code is used to set tool length offsets.

F - Feedrate

H - Tool offset number

Z - Required Z-Axis offset

Automatic Tool Length Offset Measurement (G37) is used to command a probe to set tool length offsets. A G37 will feed the Z-Axis in an effort to probe a tool with a tool-setting probe. The Z-Axis will move until a signal from the probe is received or the travel limit is reached. A non-zero H code and either G43 or G44 must be active. When the signal from the probe is received (skip signal) the Z position is used to set the specified tool offset (Hnnn). The resulting tool offset is the distance between the current work coordinate zero point and the point where the probe is touched. If a non-zero Z value is on the G37 line of code the resulting tool offset will be shifted by the non-zero amount. Specify Z0 for no offset shift.

The work coordinate system (G54, G55, etc.) and the tool length offsets

(H01-H200) may be selected in this block or the previous block.

NOTES:

This code is non-modal and only applies to the block of code in which G37 is specified.

A non-zero H code and either G43 or G44 must be active.

To avoid damaging the probe, use a feed rate below F100. (inch) or F2500. (metric).

Turn on the tool-setting probe before using G37.

If your mill has the standard Renishaw probing system, use the following commands to turn on the tool-setting probe.

```
M59 P2 ;
G04 P1. ;
M59 P3 ;
```

Use the following command to turn off the tool-setting probe.

```
M69 P3 ;
```

Also see M78 and M79.

Sample program:

This sample program measures the length of a tool and records the measured value on the tool offset page. To use this program, the G59 work offset location must be set to the tool-setting probe location.

```
%
O60371 (G37 AUTO TOOL OFFSET MEASUREMENT) ;
(G59 X0 Y0 is center of tool-setting probe) ;
(Z0 is at the surface of tool-setting probe) ;
(BEGIN PREPARATION BLOCKS) ;
T1 M06 (Select tool 1) ;
G00 G90 G59 X0 Y0 (Rapid to center of the probe) ;
G00 G43 H01 Z5. (Activate tool offset 1) ;
(BEGIN PROBING BLOCKS) ;
M59 P2 (Select tool-setting probe) ;
G04 P1. (Dwell for 1 second) ;
M59 P3 (Probe on) ;
G37 H01 Z0 F30. (Measure & record tool offset) ;
M69 P3 (Probe off) ;
(BEGIN COMPLETION BLOCKS) ;
```



```
G00 G53 Z0. (Rapid retract to Z home) ;
M30 (End program) ;
%
```

G40 Cutter Comp Cancel (Group 07)

G40 cancels G41 or G42 cutter compensation.

G41 2D Cutter Compensation Left / G42 2D Cutter Comp. Right (Group 07)

G41 will select cutter compensation left; that is, the tool is moved to the left of the programmed path to compensate for the size of the tool. A D address must be programmed to select the correct tool radius or diameter offset. If the value in the selected offset is negative, cutter compensation will operate as though G42 (Cutter Comp Right.) was specified.

The right or left side of the programmed path is determined by looking at the tool as it moves away. If the tool needs to be on the left of the programmed path as it moves away, use G41. If it needs to be on the right of the programmed path as it moves away, use G42. For more information, refer to the Cutter Compensation section.

G43 Tool Length Compensation + (Add) / G44 Tool Length Comp - (Subtract) (Group 08)

A G43 code selects tool length compensation in the positive direction; the tool length in the offsets page is added to the commanded axis position. A G44 code selects tool length compensation in the negative direction; the tool length in the offsets page is subtracted from the commanded axis position. A non-zero H address must be entered to select the correct entry from the offsets page.



NOTE:

Starting in NGC Software Version 100.21.000.1100, the tool length offset behavior has been modified on Haas machines in the following ways: By default, tool length offsets will now always be applied, unless a G49/H00 (Mill) or Txx00 offset (Lathe) is explicitly specified. On mills, when a tool change occurs, the tool length offset will automatically update to match the new tool. The current tool length offset and mill group 8 code will now persist through power cycles.

G47 Text Engraving (Group 00)

G47 lets you engrave a line of text, or sequential serial numbers, with a single G-code. To use G47, Settings 29 (G91 Non-Modal) and 73 (G68 Incremental Angle) must be **OFF**.

**NOTE:**

Engraving along an arc is not supported.

***D** - Controls the smoothness level, D1(rough), D2(medium), or D3(finish). If **D** is not used then default is D3.

***E** - Plunge feed rate (units/min)

F - Engraving feed rate (units/min)

***I** - Angle of rotation (-360. to +360.); default is 0

***K** - Sets the max corner rounding value. If **K** is not used then default is K0.002.

***J** - Height of text in in/mm (minimum = 0.001 inch); default is 1.0 inch (1.0 mm)

P - 0 for literal text engraving

- 1 for sequential serial number engraving

- 32-126 for ASCII characters

***R** - Return plane

***X** - X start of engraving

***Y** - Y start of engraving

***Z** - Depth of cut

*indicates optional

Literal Text Engraving

This method is used to engrave text on a part. The text should be in the form of a comment on the same line as the G47 command. For example, G47 P0 (TEXT TO ENGRAVE), will engrave *TEXT TO ENGRAVE* on the part.

**NOTE:**

Corner rounding can cause engraved characters to appear rounded and make them harder to read. To improve the sharpness and readability of engraved text, consider lowering the corner-rounding values with a G187 E.xxx value before the G47 command. Suggested starting E values are E0.002 (inch) or E0.05 (metric). Command a G187 alone after the engraving cycle to restore the default corner-rounding level. Refer to the example below:

```
G187 E.002 (PREFACE ENGRAVING WITH A G187 E.xxx);  
G47 P0 X.15 Y0. I0. J.15 R.1 Z-.004 F80. E40. (Engraving  
Text);  
G00 G80 Z0.1;  
G187 (RESTORE NORMAL CORNER ROUNDING FOR SMOOTHNESS);
```

The characters available for engraving are:

A-Z, a-z 0-9, and ` ~ ! @ # \$ % ^ & * - _ = + [] { } \ | ; : ' " , . / < > ?

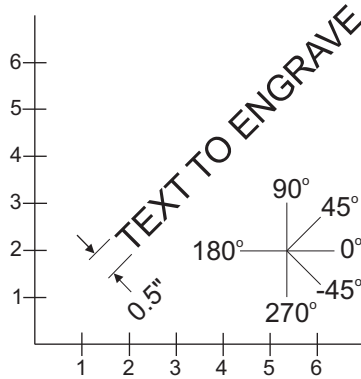
Not all of these characters can be entered from the control. When programming from the mill keypad, or engraving parenthesis (), refer to the following Engraving Special Characters section.

This example creates the figure shown.

```

%
O60471 (G47 TEXT ENGRAVING) ;
(G54 X0 Y0 is at the bottom-left of part) ;
(Z0 is on top of the part) ;
(BEGIN PREPARATION BLOCKS) ;
T1 M06 (Select tool 1) ;
G00 G90 G40 G49 G54 (Safe startup) ;
G00 G54 X2. Y2. (Rapid to 1st position) ;
S1000 M03 (Spindle on CW) ;
G43 H01 Z0.1 (Activate tool offset 1) ;
M08 (Coolant on) ;
(BEGIN CUTTING BLOCKS) ;
G47 P0 (TEXT TO ENGRAVE) X2. Y2. I45. J0.5 R0.05 Z-0.005 F15.
E10. ;
(Starts at X2. Y2., engraves text at 45 deg) ;
(BEGIN COMPLETION BLOCKS) ;
G00 G80 Z0.1 (Cancel canned cycle) ;
G00 Z0.1 M09 (Rapid retract, Coolant off) ;
G53 G49 Z0 M05 (Z home, Spindle off) ;
G53 Y0 (Y home) ;
M30 (End program) ;
%
```

F7.12: Engraving Program Example



In this example, G47 P0 selects literal string engraving. X2.0 Y2.0 sets the starting point for the text at the bottom left corner of first letter. I45. places the text at a positive 45° angle. J.5 sets the text height to 0.5 units-in/mm. R.05 retracts cutter to 0.05 units above part after engraving. Z-0.005 sets an engraving depth of -0.005 units. F15.0 sets an engraving, XY move, feedrate of 15 units per minute. E10.0 sets a plunge, -Z move, feedrate of 10 units per minute.

Special Characters

Engraving Special Characters involves using G47 with specific P values (G47 P32-126).

P- values to engrave specific characters

T7.1: G47 P Values for Special Characters

32		space	59	;	semicolon
33	!	exclamation mark	60	<	less than
34	"	double quotation mark	61	=	equals
35	#	number sign	62	>	greater than
36	\$	dollar sign	63	?	question mark
37	%	percent sign	64	@	at sign
38	&	ampersand	65-90	A-Z	capitol letters
39	'	closed single quote	91	[open square bracket
40	(open parenthesis	92	\	backslash
41)	close parenthesis	93]	closed square bracket

42	*	asterisk	94	^	caret
43	+	plus sign	95	_	underscore
44	,	comma	96	'	open single quote
45	-	minus sign	97-122	a-z	lowercase letters
46	.	period	123	{	open curly bracket
47	/	slash	124		vertical bar
48-57	0-9	numbers	125	}	closed curly bracket
58	:	colon	126	~	tilde

Example:

To engrave \$2.00, you need (2) blocks of code. The first block uses a P36 to engrave the dollar sign (\$), and the second block uses P0 (2.00).



NOTE:

Shift the X/Y start location between the first and second line of code to make a space between the dollar sign and the 2.

This is the only method to engrave parenthesis ().

Engraving Sequential Serial Numbers

This method is used to engrave numbers on a series of parts with the number being increased by one each time. The # symbol is used to set the number of digits in the serial number. For example, G47 P1 (####), limits the number to four digits while (##) would limit the serial number to two digits.

This program engraves a four digit serial number.

```

%
O00037 (SERIAL NUMBER ENGRAVING) ;
T1 M06 ;
G00 G90 G98 G54 X0. Y0. ;
S7500 M03 ;
G43 H01 Z0.1 ;
G47 P1 (####) X2. Y2. I0. J0.5 R0.05 Z-0.005 F15. E10. ;
G00 G80 Z0.1 ;
M05 ;
G28 G91 Z0 ;

```

```
M30 ;  
%
```

Initial Serial Number

There are two ways to set the initial serial number to be engraved. The first requires replacing the # symbols within the parenthesis with the first number to be engraved. With this method, nothing is engraved when the G47 line is executed (it is only setting the initial serial number). Execute this once and then change the value within the parenthesis back to # symbols to engrave normally.

The following example will set the initial serial number to be engraved to 0001. Run this code once and then change (0001) to (#####).

```
G47 P1 (0001) ;
```

The second method for setting the initial serial number to be engraved is to change the Macro Variable where this value is stored (Macro Variable 599). The Macros option does not need to be enabled.

Press **[CURRENT COMMANDS]** then press **[PAGE UP]** or **[PAGE DOWN]** as needed to display the **MACRO VARIABLES** page. From that screen, enter 599 and press Down cursor.

Once 599 is highlighted on the screen, type in the initial serial number to engrave, **[1]** for example, then press **[ENTER]**.

The same serial number can be engraved multiple times on the same part with the use of a macro statement. The macros option is required. A macro statement as shown below could be inserted between two G47 engraving cycles to keep the serial number from incrementing to the next number. For more details, see the Macros section of this manual.

Macro Statement: #599=[#599-1]

Engraving Around the Outside of a Rotary Part (G47, G107)

You can combine a G47 Engraving cycle with a G107 Cylindrical Mapping cycle to engrave text (or a serial number) along the outside diameter of a rotary part.

This code engraves a four digit serial number along the outer diameter of a rotary part.

```
%  
O01832 (CHANNEL ON 1.5 ROTARY PART);  
(MOUNT ROTARY ON RIGHT SIDE OF TABLE);  
(X ZERO IS FACE OF STOCK);  
(Y ZERO IS ROTARY CL) (TOUCH OFF TOOLS ON TOP OF PART);  
(STOCK IS 1.5 DIA);  
(T11 = ENGRAVING TOOL);
```

```

(WRAP ENGRAVING AROUND CYLINDER, G107 G47);
T11 M06;
M11;
M03 S12000;
G57 G90 G00 G17 G40 G80;
X0.323 Y0. A0. (START POINT OF ENGRAVE);
G43 H11 Z0.1;
/ G107 A0. Y0. R0.75;
G187 P3 E0.002;
G47 P0 (ROTARY) X0.323 Y0.177 I45. J0.15 R0.05 Z-0.004 F30.
E10.;
G00 Z0.1;
G187;
G107;
T11 M06;
M11;
M03 S12000;
G57 G90 G00 G17 G40 G80;
X0.323 Y0. A0. (START POINT OF ENGRAVE);
G43 H11 Z0.1;
/ G107 A0. Y0. R0.75;
G187 P3 E0.002;
G47 P1 (S/N ####) X0.79 Y-0.28 I45. J0.15 R0.05 Z-0.004 F30.
E10.;
G00 Z2. M09;
G107;
G90 G00 A70.;
G53 G00 G90 Y0;
G187;
M30;
%
```

For more details on this cycle, refer to the G107 section.

G49 Tool Length Compensation Cancel (Group 08)

This G code cancels tool length compensation.



NOTE:

An H0, M30, and [RESET] will also cancel tool length compensation.

G50 Cancel Scaling (Group 11)

G50 cancels the optional scaling feature. Any axis scaled by a previous G51 command is no longer in effect.

G51 Scaling (Group 11)



NOTE:

You must purchase the Rotation and Scaling option to use this G-code. A 200-hour option tryout is also available; refer to page 222 for instructions.

***X** - Center of scaling for the X Axis

***Y** - Center of scaling for the Y Axis

***Z** - Center of scaling for the Z Axis

***P** - Scaling factor for all axes; three-place decimal from 0.001 to 999.999

*indicates optional

```
G51 [X...] [Y...] [Z...] [P...] ;
```

The control always uses a scaling center to determine the scaled position. If you do not specify a scaling center in the G51 command block, then the control uses the last commanded position as the scaling center.

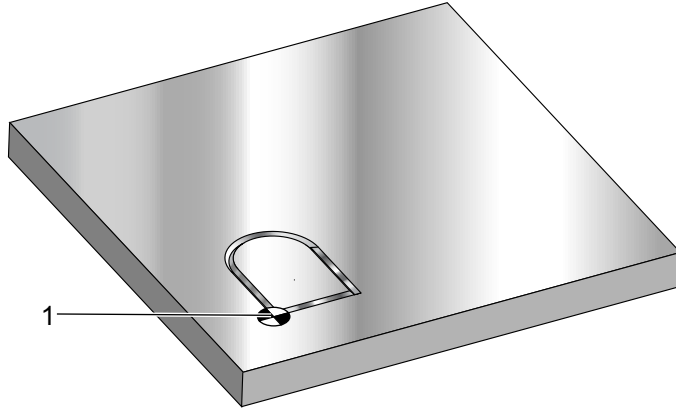
With a scaling (G51) command, the control multiplies by a scaling factor (P) all X, Y, Z, A, B, and C end points for rapids, linear feeds, and circular feeds. G51 also scales I, J, K, and R for G02 and G03. The control offsets all of these positions relative to a scaling center.

There are (3) ways to specify the scaling factor:

- A P address code in the G51 block applies the specified scaling factor to all axes.
- Setting 71 applies its value as a scaling factor to all axes if it has a nonzero value and you do not use a P address code.
- Settings 188, 189, and 190 apply their values as scaling factors to the X, Y, and Z axes independently if you do not specify a P value and Setting 71 has a value of zero. These settings must have equal values to use them with G02 or G03 commands.

G51 affects all appropriate positioning values in the blocks after the G51 command.

These example programs show how different scaling centers affect the scaling command.

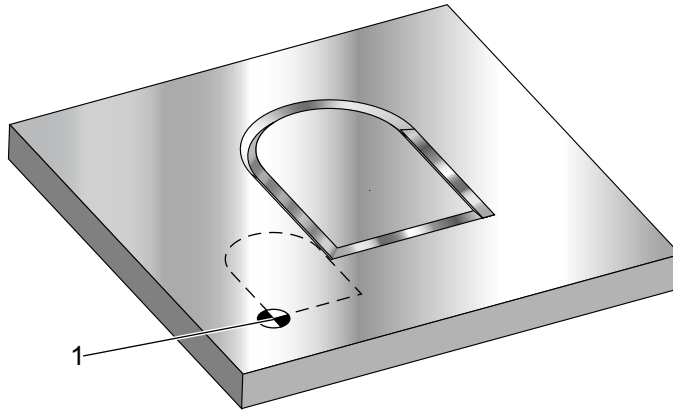
F7.13: G51 No Scaling Gothic Window: [1] Work coordinate origin.

```

%
O60511 (G51 SCALING SUBPROGRAM) ;
(G54 X0 Y0 is at the bottom left of window) ;
(Z0 is on top of the part) ;
(Run with a main program) ;
(BEGIN CUTTING BLOCKS) ;
G01 X2. ;
Y2. ;
G03 X1. R0.5 ;
G01 Y1. ;
M99 ;
%
```

The first example illustrates how the control uses the current work coordinate location as a scaling center. Here, it is X0 Y0 Z0.

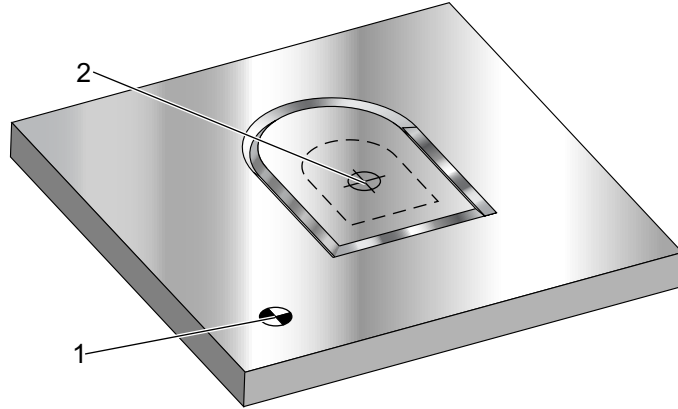
F7.14: G51 Scaling Current Work Coordinates: The Origin [1] is the work origin and the center of scaling.



```
%  
o60512 (G51 SCALING FROM ORIGIN) ;  
(G54 X0 Y0 is at the bottom left of part) ;  
(Z0 is on top of the part) ;  
(BEGIN PREPARATION BLOCKS) ;  
T1 M06 (Select tool 1) ;  
G00 G90 G40 G49 G54 (Safe startup) ;  
G00 G54 X0 Y0 (Rapid to 1st position) ;  
S1000 M03 (Spindle on CW) ;  
G43 H01 Z0.1 M08 (Activate tool offset 1) ;  
(Coolant on) ;  
(BEGIN CUTTING BLOCKS) ;  
G01 Z-0.1 F25. (Feed to cutting depth) ;  
M98 P60511 (Cuts shape without scaling) ;  
G00 Z0.1 (Rapid Retract) ;  
G00 X2. Y2. (Rapid to new scale position) ;  
G01 Z-.1 F25. (Feed to cutting depth) ;  
G51 X0 Y0 P2. (2x scale from origin) ;  
M98 P60511 (run subprogram) ;  
(BEGIN COMPLETION BLOCKS) ;  
G00 Z0.1 M09 (Rapid retract, Coolant off) ;  
G50 (CANCELS G51) ;  
G53 G49 Z0 M05 (Z home, Spindle off) ;  
G53 Y0 (Y home) ;  
M30 (End program) ;  
%
```

The next example specifies the center of the window as the scaling center.

F7.15: G51 Scaling Center of Window: [1] Work coordinate origin, [2] Center of scaling.



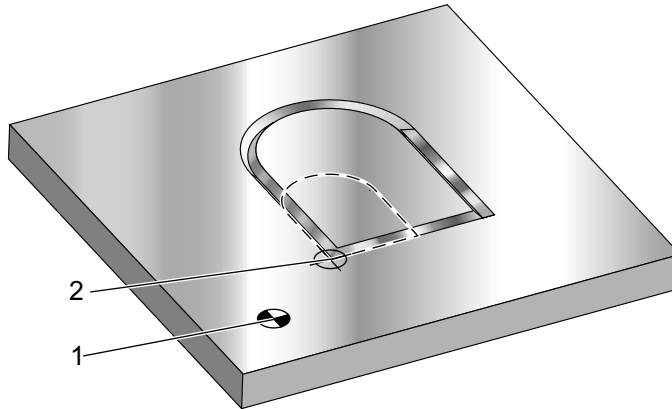
```

%
o60513 (G51 SCALING FROM CENTER OF WINDOW) ;
(G54 X0 Y0 is at the bottom left of part) ;
(Z0 is on top of the part) ;
(BEGIN PREPARATION BLOCKS) ;
T1 M06 (Select tool 1) ;
G00 G90 G40 G49 G54 (Safe startup) ;
G00 G54 X0 Y0 (Rapid to 1st position) ;
S1000 M03 (Spindle on CW) ;
G43 H01 Z0.1 M08 (Activate tool offset 1) ;
(Coolant on) ;
(BEGIN CUTTING BLOCKS) ;
G01 Z-0.1 F25. (Feed to cutting depth) ;
M98 P60511 (Cuts shape without scaling) ;
G00 Z0.1 (Rapid Retract) ;
G00 X0.5 Y0.5 (Rapid to new scale position) ;
G01 Z-.1 F25. (Feed to cutting depth) ;
G51 X1.5 Y1.5 P2. (2x scale from center of window) ;
M98 P60511 (run subprogram) ;
(BEGIN COMPLETION BLOCKS) ;
G00 Z0.1 M09(Rapid retract, Coolant off) ;
G50 (CANCELS G51);
G53 G49 Z0 M05 (Z home, Spindle off) ;
G53 Y0 (Y home) ;
M30 (End program) ;
%

```

The last example illustrates how scaling can be placed at the edge of tool paths as if the part was being set against locating pins.

F7.16: G51 Scaling Edge of Tool Path: [1] Work coordinate origin, [2] Center of scaling.



```

%
O60514 (G51 SCALING FROM EDGE OF TOOLPATH) ;
(G54 X0 Y0 is at the bottom left of part) ;
(Z0 is on top of the part) ;
(BEGIN PREPARATION BLOCKS) ;
T1 M06 (Select tool 1) ;
G00 G90 G40 G49 G54 (Safe startup) ;
G00 G54 X0 Y0 (Rapid to 1st position) ;
S1000 M03 (Spindle on CW) ;
G43 H01 Z0.1 M08 (Activate tool offset 1) ;
(Coolant on) ;
(BEGIN CUTTING BLOCKS) ;
G01 Z-0.1 F25. (Feed to cutting depth) ;
M98 P60511 (Cuts shape without scaling) ;
G00 Z0.1 (Rapid Retract) ;
G00 X1. Y1. (Rapid to new scale position) ;
G01 Z-.1 F25. (Feed to cutting depth) ;
G51 X1. Y1. P2. (2x scale from edge of toolpath) ;
M98 P60511 (run subprogram) ;
(BEGIN COMPLETION BLOCKS) ;
G00 Z0.1 M09 (Rapid retract, Coolant off) ;
G50 (CANCELS G51) ;
G53 G49 Z0 M05 (Z home, Spindle off) ;
G53 Y0 (Y home) ;
M30 (End program) ;
%
```

Tool offsets and cutter compensation values are not affected by scaling.

For canned cycles, G51 scales the initial point, depth, and return plane relative to the center of scaling.

To retain the functionality of canned cycles, G51 does not scale these:

- In G73 and G83:
 - Peck depth (Q)
 - Depth of first peck (I)
 - Amount to reduce peck depth per pass (J)
 - Minimum peck depth (K)
- In G76 and G77:
 - The shift value (Q)

The control rounds the final results of scaling to the lowest fractional value of the variable being scaled.

G52 Set Work Coordinate System (Group 00 or 12)

G52 works differently depending on the value of Setting 33. Setting 33 selects the Fanuc or Haas style of coordinates.

If **FANUC** is selected, G52 is a group 00 G-code. This is a global work coordinate shift. The values entered into the G52 line of the work offset page are added to all work offsets. All of the G52 values in the work offset page will be set to zero (0) when powered on, reset is pressed, changing modes, at the end of the program, by an M30, G92 or a G52 X0 Y0 Z0 A0 B0. When using a G92 (Set Work Coordinate Systems Shift Value), in Fanuc format, the current position in the current work coordinate system is shifted by the values of G92 (X, Y, Z, A, and B). The values of the G92 work offset are the difference between the current work offset and the shifted amount commanded by G92.

If **HAAS** is selected, G52 is a group 00 G-code. This is a global work coordinate shift. The values entered into the G52 line of the work offset page are added to all work offsets. All of the G52 values will be set to zero (0) by a G92. When using a G92 (Set Work Coordinate Systems Shift Value), in Haas format, the current position in the current work coordinate system is shifted by the values of G92 (X, Y, Z, A, and B). The values of the G92 work offset are the difference between the current work offset and the shifted amount commanded by G92 (Set Work Coordinate Systems Shift Value).

G53 Non-Modal Machine Coordinate Selection (Group 00)

This code temporarily cancels work coordinate offsets and uses the machine coordinate system. This code will also ignore tool offsets. In the machine coordinate system, the zero point for each axis is the position where the machine goes when a Zero Return is performed. G53 will revert to this system for the block in which it is commanded.

G54-G59 Select Work Coordinate System #1 - #6 (Group 12)

These codes select one of more than six user coordinate systems. All future references to axes positions will be interpreted using the new (G54 G59) coordinate system. See also **388** for additional work offsets.

G60 Uni-Directional Positioning (Group 00)

This G code is used to provide positioning only from the positive direction. It is provided only for compatibility with older systems. It is non-modal, so does not affect the blocks that follow it. Also refer to Setting 35.

G61 Exact Stop Mode (Group 15)

The G61 code is used to specify an exact stop. It is modal; therefore, it affects the blocks that follow it. The machine axes will come to an exact stop at the end of each commanded move.

G64 Cancels Exact Stop Mode (Group 15)

G64 code cancels exact stop (G61).

G65 Macro Subprogram Call Option (Group 00)

G65 is described in the Macros programming section.

G66 Modal Macro Subprogram Call Option (Group 00)

G66 works similarly to G65 but is modal. It turns on calls for a subprogram with the ability to pass arguments to it. It is canceled with G67. The format follows:

```
G66 Pnnnnn [Lnnnn] [arguments];
```

Arguments italicized in square brackets are optional. See the Programming section for more details on macro arguments.

The G66 command requires a P address corresponding to a program number currently located in the control's drive or path to a program. When the L address is used, the macro call is repeated the specified number of times.

Like G65 calls, G66 can be nested up to nine times, which means program 1 can call program 2, program 2 can call program 3, and program 3 can call program 4.

When a subprogram is called, the control looks for it on the active drive or the path to the program. If it cannot be located on the active drive, the control looks in the drive designated by Setting 251. Refer to the Setting Up Search Locations section for more information on subprogram searching. An alarm occurs if the control does not find the subprogram.

In the example, subprogram 9010 is called once at each XY location with conditions passed to the subprogram, "a b d f r".

Example 1:

```
%;  
G66 P9010 a b d f r;XY (Call 009010);XY (Call 009010);XY (Call  
009010);G67;M30;%
```

Paths are case sensitive. In Example 2, subprogram 9010 is designed to drill a sequence of holes along a line whose slope is determined by the X and Y arguments passed to it in the G65 command line. The Z drill depth is passed as Z, the feed rate is passed as F, and the number of holes to be drilled is passed as T. When the macro subprogram is called, the line of holes is drilled starting from the current tool position.

The subprogram program O09010 should reside on the active drive or on a drive designated by Setting 252.

```

%
G00 G90 X1.0 Y1.0 Z.05 S1000 M03 (Position tool);
G66 P9010 X1 Y1 Z.05 F10. T10 (Call O09010);
X2 Y1 (Call O09010);X3 Y1 (Call O09010);G67 (Cancel Call for
O09010);
M30 ; (End Program)
O09010 (Diagonal hole pattern);
F#9 (F=Feedrate);
WHILE [#20 GT 0] DO1 (Repeat T times);
G91 G81 Z#26 (Drill To Z depth);
#20=#20-1 (Decrement counter);
IF [#20 EQ 0] GOTO5 (All holes drilled);
G00 X#24 Y#25 (Move along slope);
N5 END1;
M99 (Return to caller);
%
```

G68 Rotation (Group 16)



NOTE:

You must purchase the Rotation and Scaling option to use this G-code. A 200-hour option tryout is also available; refer to page 222 for instructions.

***G17, G18, G19** - Plane of rotation, default is current

***X/Y, X/Z, Y/Z** - Center of rotation coordinates on the selected plane**

***R** - Angle of rotation, in degrees. Three-place decimal, -360.000 to 360.000.

*indicates optional

**The axis designation you use for these address codes corresponds to the axes of the current plane. For example, in the G17 (XY plane), you would use X and Y to specify the center of rotation.

When you command a G68, the control rotates all X, Y, Z, I, J, and K values about a center of rotation to a specified angle (R),.

You can designate a plane with G17, G18, or G19 before G68 to establish the axis plane to rotate. For example:

```
G17 G68 Xnnn Ynnn Rnnn ;
```

If you do not designate a plane in the G68 block, the control uses the currently active plane.

The control always uses a center of rotation to determine the positional values after rotation. If you do not specify a center of rotation, the control uses the current location.

G68 affects all appropriate positional values in the blocks after the G68 command. Values in the line that contains the G68 command are not rotated. Only the values in the plane of rotation are rotated; therefore, if G17 is the current plane of rotation, the command affects only the X and Y values.

A positive number (angle) in the R address rotates the feature counterclockwise.

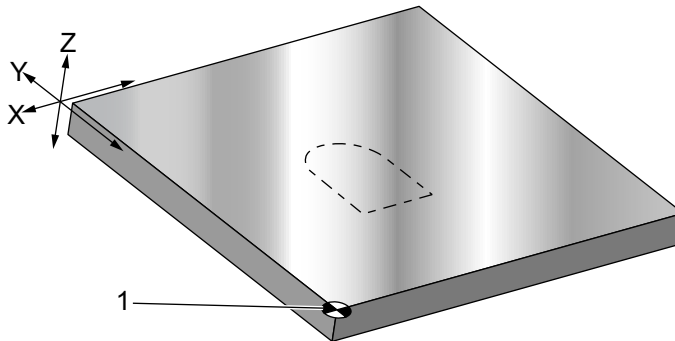
If you do not specify the angle of rotation (R), then the control uses the value in Setting 72.

In G91 mode (incremental) with Setting 73 ON, the rotation angle changes by the value in R. In other words, each G68 command changes the rotation angle by the value specified in R.

The rotational angle is set to zero at the beginning of the program, or you can set it to a specific angle with G68 in G90 mode.

These examples illustrate rotation with G68. The first program defines a Gothic window shape to cut. The rest of the programs use this program as a subprogram.

F7.17: G68 Start Gothic Window, No rotation: [1] Work coordinate origin.



```
%
O60681 (GOTHIC WINDOW SUBPROGRAM) ;
F50. S15000 (SET FEED AND SPINDLE SPEED) ;
G00 X1. Y1. Z0.1 (RAPID TO LOWER-LEFT WINDOW CORNER) ;
Z-.005;
G01 X2. (BOTTOM OF WINDOW) ;
Y2. (RIGHT SIDE OF WINDOW);
G03 X1. R0.5 (TOP OF WINDOW) ;
```

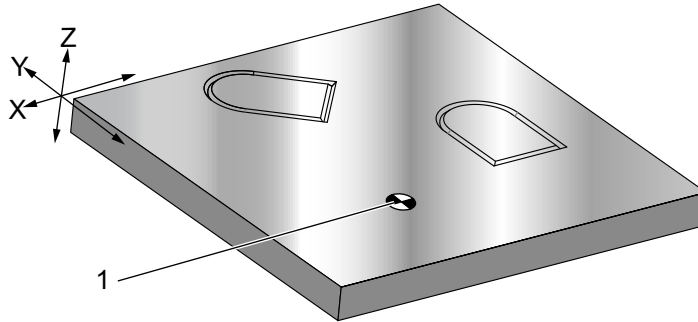


```

G01 Y1. (FINISH WINDOW) ;
Z0.1 (RETRACT Z BEFORE GOING TO THE NEXT WINDOW) ;
M99;
%
```

The first example illustrates how the control uses the current work coordinate location as a rotation center (X0 Y0 Z0).

F7.18: G68 Rotation Current Work Coordinate: [1] Work coordinate origin and center of rotation.

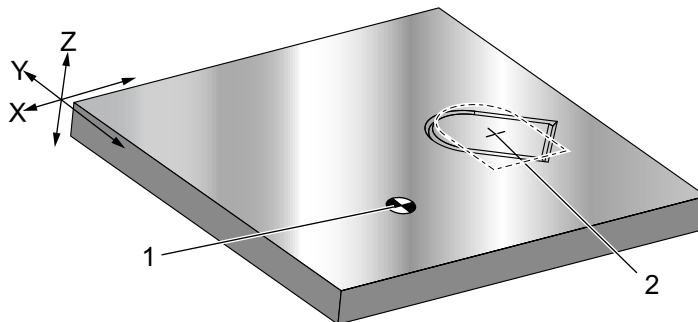


```

%
O60682 (ROTATE ABOUT WORK COORDINATE) ;
G59 (OFFSET) ;
G00 G90 X0 Y0 Z0.1 (WORK COORDINATE ORIGIN) ;
M98 P60681 (CALL SUBPROGRAM) ;
G90 G00 X0 Y0 (LAST COMMANDED POSITION) ;
G68 R60. (ROTATE 60 DEGREES) ;
M98 P60681 (CALL SUBPROGRAM) ;
G69 G90 X0 Y0 (CANCEL G68) ;
M30;
%
```

The next example specifies the center of the window as the rotation center.

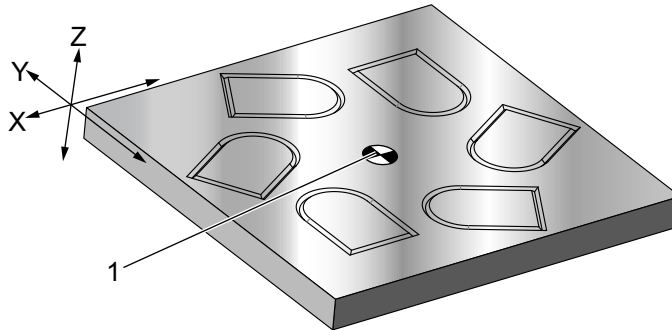
F7.19: G68 Rotation Center of Window: [1] Work coordinate origin, [2] Center of rotation.



```
%  
O60683 (ROTATE ABOUT CENTER OF WINDOW) ;  
G59 (OFFSET) ;  
G00 G90 X0 Y0 Z0.1 (WORK COORDINATE ORIGIN) ;  
G68 X1.5 Y1.5 R60. ;  
(ROTATE SHAPE 60 DEGREES ABOUT CENTER) ;  
M98 P60681 (CALL SUBPROGRAM) ;  
G69 G90 G00 X0 Y0 (CANCEL G68, LAST COMMANDED POSITION) ;  
M30 ;  
%
```

This next example shows how the G91 mode can be used to rotate patterns about a center. This is often useful for making parts that are symmetric about a given point.

F7.20: G68 Rotate Patterns About Center: [1] Work coordinate origin and center of rotation.



```
%  
O60684 (ROTATE PATTERN ABOUT CENTER) ;  
G59 (OFFSET) ;  
G00 G90 X0 Y0 Z0.1 (WORK COORDINATE ORIGIN) ;  
M97 P1000 L6 (CALL LOCAL SUBPROGRAM, LOOP 6 TIMES) ;  
M30 (END AFTER SUBPROGRAM LOOP) ;  
N1000 (BEGIN LOCAL SUBPROGRAM) ;  
G91 G68 R60. (ROTATE 60 DEGREES) ;  
G90 M98 P60681 (CALL WINDOW SUBPROGRAM) ;  
G90 G00 X0 Y0 (LAST COMMANDED POSITION) ;  
M99 ;  
%
```

Do not change the plane of rotation while G68 is in effect.

Rotation with Scaling:

If you use scaling and rotation at the same time, you should turn on scaling before rotation, and use separate blocks. Use this template:

```

%
G51 ... (SCALING) ;
... ;
G68 ... (ROTATION) ;
... program ;
G69 ... (ROTATION OFF) ;
... ;
G50 ... (SCALING OFF) ;
%
```

Rotation with Cutter Compensation:

Turn on cutter compensation after the rotation command. Turn off cutter compensation before you turn off rotation.

G69 Cancel Rotation (Group 16)

(This G-code is optional and requires Rotation and Scaling.)

G69 cancels rotation mode.

G70 Bolt Hole Circle (Group 00)

I - Radius

*J - Starting angle (0 to 360.0 degrees CCW from horizontal; or 3 o'clock position)

L - Number of holes evenly spaced around the circle

*indicates optional

This non-modal G code must be used with one of the canned cycles G73, G74, G76, G77, or G81-G89. A canned cycle must be active so that at each position, a drill or tap function is performed. See also G-code Canned Cycles section.

```

%
O60701 (G70 BOLT HOLE CIRCLE) ;
(G54 X0 Y0 is center of the circle ) ;
(Z0 is on the top of the part) ;
(T1 is a drill) ;
(BEGIN PREPARATION BLOCKS) ;
T1 M06 (Select tool 1) ;
G00 G90 G40 G49 G54 (Safe startup) ;
G00 G54 X0 Y0 (Rapid to 1st position) ;
S1000 M03 (Spindle on CW) ;
G43 H01 Z0.1 (Activate tool offset 1) ;
```

```
M08 (Coolant on) ;
(BEGIN CUTTING BLOCKS) ;
G81 G98 Z-1. R0.1 F15. L0 (Begin G81) ;
(L0 skip drilling X0 Y0 position) ;
G70 I5. J15. L12 (Begin G70) ;
(Drills 12 holes on a 10.0 in. diameter circle) ;
G80 (Canned Cycles off) ;
(BEGIN COMPLETION BLOCKS) ;
G00 Z0.1 M09 (Rapid retract, Coolant off) ;
G53 G49 Z0 M05 (Z home and Spindle off) ;
G53 Y0 (Y home) ;
M30 (End program) ;
%
```

G71 Bolt Hole Arc (Group 00)

I - Radius

***J** - Starting angle (degrees CCW from horizontal)

K - Angular spacing of holes (+ or -)

L - Number of holes

*indicates optional

This non-modal G code is similar to G70 except that it is not limited to a complete circle. G71 belongs to Group 00 and thus is non-modal. A canned cycle must be active so that at each position, a drill or tap function is performed.

G72 Bolt Holes Along an Angle (Group 00)

I - Distance between holes

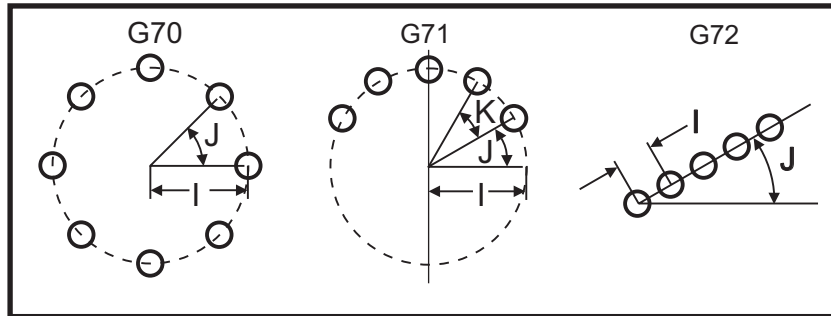
***J** - Angle of line (degrees CCW from horizontal)

L - Number of holes

*indicates optional

This non-modal G code drills L number of holes in a straight line at the specified angle. It operates similarly to G70. For a G72 to work correctly, a canned cycle must be active so that at each position, a drill or tap function is performed.

F7.21: G70, G71, and G72 Bolt Holes: [I] Radius of bolt circle (G70, G71), or distance between holes (G72), [J] Starting angle from the 3 o'clock position, [K] Angular spacing between holes, [L] Number of holes.



G73 High-Speed Peck Drilling Canned Cycle (Group 09)

F - Feedrate

***I** - First peck depth

***J** - Amount to reduce pecking depth for pass

***K** - Minimum peck depth (The control calculates the number of pecks)

***L** - Number of loops (Number of holes to drill) if G91 (Incremental Mode) is used

***P** - Pause at the bottom of the hole (in seconds)

***Q** - Peck Depth (always incremental)

***R** - Position of the R plane (Distance above part surface)

***X** - X-Axis location of hole

***Y** - Y-Axis location of hole

Z - Position of the Z-Axis at the bottom of hole

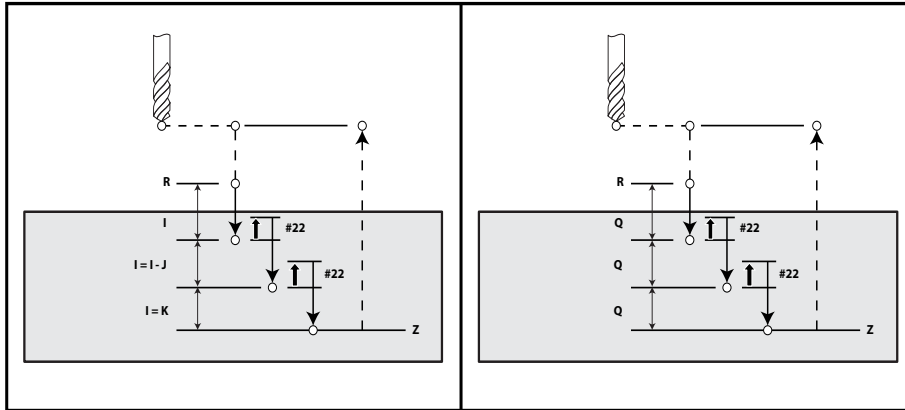
* indicates optional



NOTE:

The P values are modal. This means if you are in the middle of a canned cycle and a G04 Pnn or an M97 Pnn is used the P value will be used for the dwell / subprogram as well as the canned cycle.

F7.22: G73 Peck Drilling. Left: Using I, J, and K Addresses. Right: Using Only the Q Address. [#22] Setting 22.



I, J, K, and Q are always positive numbers.

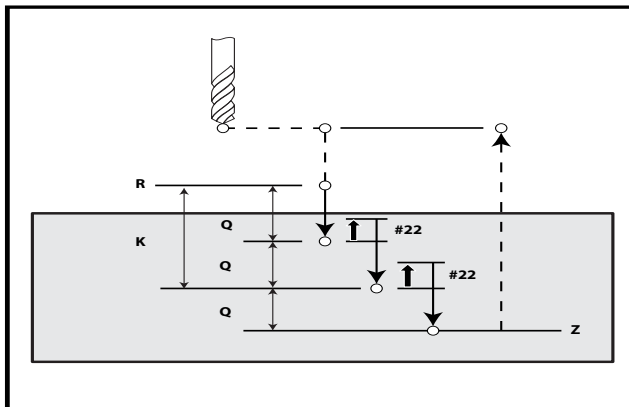
There are three methods to program a G73: using the I, J, K addresses, using the K and Q addresses, and using only a Q address.

If I, J, and K are specified, The first pass will cut in by the value I, each succeeding cut will be reduced by the value of J, and the minimum cutting depth is K. If P is specified, the tool will pause at the bottom of the hole for that amount of time.

If K and Q are both specified, a different operating mode is selected for this canned cycle. In this mode, the tool is returned to the R plane after the number of passes totals up to the K amount.

If only Q is specified, a different operating mode is selected for this canned cycle. In this mode, the tool is returned to the R plane after all pecks are completed, and all pecks will be equal to the Q value.

F7.23: G73 Peck Drilling Canned Cycles using the K and Q Addresses: [#22] Setting 22.



G74 Reverse Tap Canned Cycle (Group 09)

F - Feedrate. Use the formula described in the canned cycle introduction to calculate feedrate and spindle speed.

* **J** - Retract Multiple (How fast to retract - see Setting 130)

* **L** - Number of loops (How many holes to tap) if G91 (Incremental Mode) is used

* **R** - Position of the R plane (position above the part) where tapping starts

* **X** - X-Axis location of hole

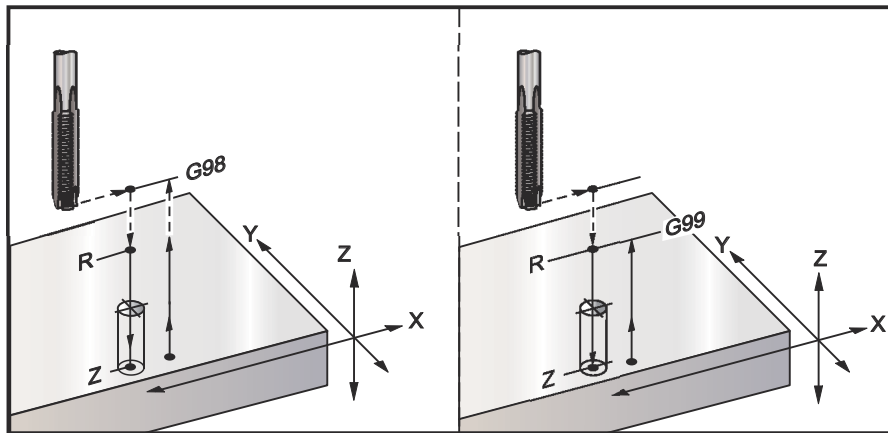
* **Y** - Y-Axis location of hole

* **Q** - Peck Depth (always incremental)

Z - Position of the Z-Axis at the bottom of hole

* indicates optional

F7.24: G74 Tapping Canned Cycle



G76 Fine Boring Canned Cycle (Group 09)

F - Feedrate

* **I** - Shift value along the X-Axis before retracting, if **Q** is not specified

* **J** - Shift value along the Y-Axis before retracting, if **Q** is not specified

* **L** - Number of holes to bore if G91 (Incremental Mode) is used

* **P** - The dwell time at the bottom of the hole

* **Q** - The shift value, always incremental

* **R** - Position of the R plane (position above the part)

* **X** - X-Axis location of hole

* **Y** - Y-Axis location of hole

Z - Position of the Z-Axis at the bottom of hole

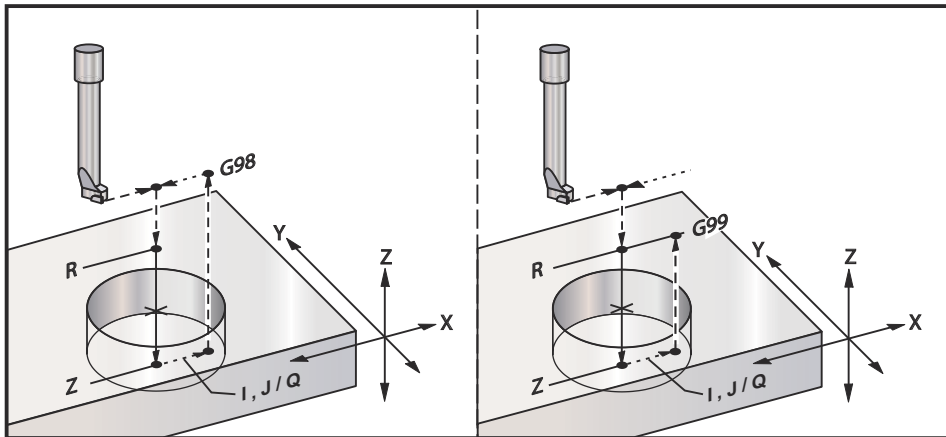
* indicates optional

**NOTE:**

The *P* values are modal. This means if you are in the middle of a canned cycle and a *G04 Pnn* or an *M97 Pnn* is used the *P* value will be used for the dwell / subprogram as well as the canned cycle.

**CAUTION:**

Unless you specify otherwise, this canned cycle uses the most recently commanded spindle direction (*M03*, *M04*, or *M05*). If the program did not specify a spindle direction before it commands this canned cycle, the default is *M03* (clockwise). If you command *M05*, the canned cycle will run as a “no-spin” cycle. This lets you run applications with self-driven tools, but it can also cause a crash. Be sure of the spindle direction command when you use this canned cycle.

F7.25: G76 Fine Boring Canned Cycles

In addition to boring the hole, this cycle will shift the X and/or Y Axis prior to retracting in order to clear the tool while exiting the part. If *Q* is used Setting 27 determines the shift direction. If *Q* is not specified, the optional *I* and *J* values are used to determine the shift direction and distance.

G77 Back Bore Canned Cycle (Group 09)

F - Feedrate

*I - Shift value along the X Axis before retracting, if Q is not specified

*J - Shift value along the Y Axis before retracting, if Q is not specified

*L - Number of holes to bore if G91 (Incremental Mode) is used

*Q - The shift value, always incremental

*R - Position of the R plane

*X - X-Axis location of hole

*Y - Y-Axis location of hole

Z - Z-Axis position to cut to

* indicates optional

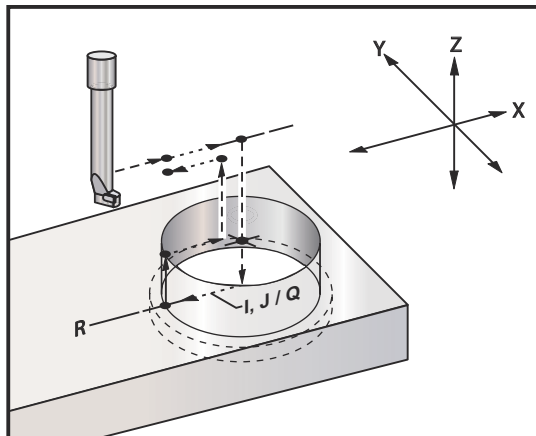


CAUTION:

Unless you specify otherwise, this canned cycle uses the most recently commanded spindle direction (M03, M04, or M05). If the program did not specify a spindle direction before it commands this canned cycle, the default is M03 (clockwise). If you command M05, the canned cycle will run as a “no-spin” cycle. This lets you run applications with self-driven tools, but it can also cause a crash. Be sure of the spindle direction command when you use this canned cycle.

In addition to boring the hole, this cycle shifts the X and Y Axis before and after the cut, to clear the tool while it enters and exits the workpiece (refer to G76 for an example of a shift move). Setting 27 defines the shift direction. If you do not specify a Q value, the control uses the optional I and J values to determine the shift direction and distance.

F7.26: G77 Back Boring Canned Cycle Example

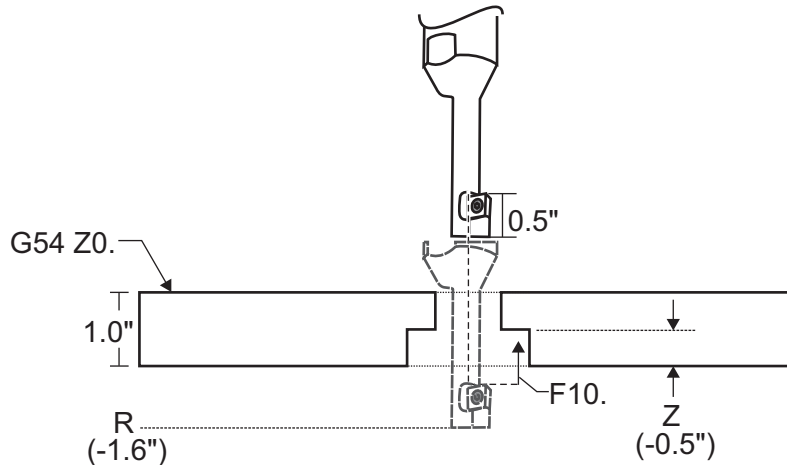


Program Example

```

%
O60077 (G77 CYCLE-WORKPIECE IS 1.0" THICK) ;
T5 M06 (BACK COUNTERBORE TOOL) ;
G90 G54 G00 X0 Y0 (INITIAL POSITION) ;
S1200 M03 (SPINDLE START) ;
G43 H05 Z.1 (TOOL LENGTH COMPENSATION) ;
G77 Z-1. R-1.6 Q0.1 F10. (1ST HOLE) ;
X-2. (2ND HOLE) ;
G80 G00 Z.1 M09 (CANCEL CANNED CYCLE) ;
G28 G91 Z0. M05 ;
M30 ;
%
```

F7.27: G77 Approximate Toolpath Example. This example shows the entrance motion only. Dimensions are not to scale.



NOTE:

For this example, the “top” of the workpiece is the surface defined as Z0. in the current work offset. The “bottom” of the workpiece is the opposite surface.

In this example, when the tool reaches the R depth, it then moves 0.1" in X (the Q value and Setting 27 define this movement; in this example, Setting 27 is X+). The tool then feeds to the Z value at the given feedrate. When the cut is finished, the tool shifts back toward the center of the hole and retracts out of it. The cycle repeats at the next commanded position until the G80 command.

**NOTE:**

The R value is negative, and it must go past the bottom of the part for clearance.

**NOTE:**

The Z value is commanded from the active Z work offset.

**NOTE:**

You do not need to command an initial point return (G98) after a G77 cycle; the control assumes this automatically.

G80 Canned Cycle Cancel (Group 09)

G80 cancels all active canned cycles.

**NOTE:**

G00 or G01 also cancel canned cycles.

G81 Drill Canned Cycle (Group 09)

*E - Chip-clean RPM (Spindle reverses to remove chips after each cycle)

F - Feedrate

*L - Number of holes to drill if G91 (Incremental Mode) is used

*R - Position of the R plane (position above the part)

*X - X-Axis motion command

*Y - Y-Axis motion command

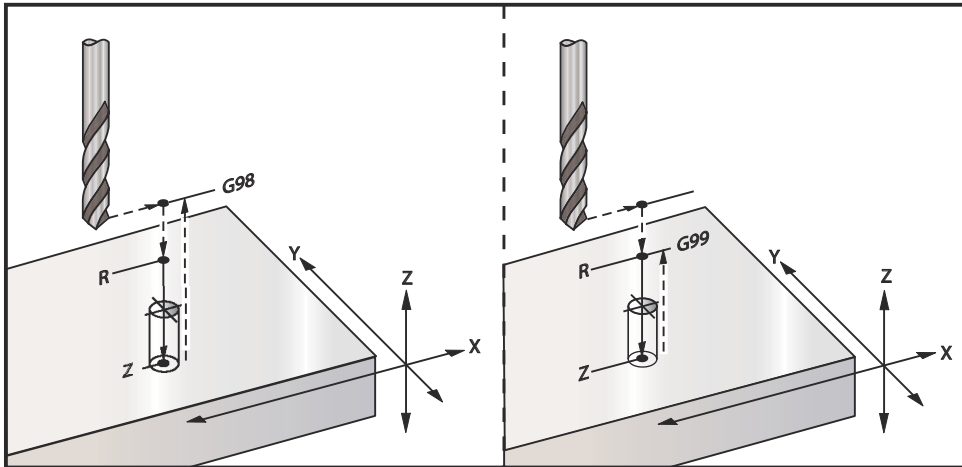
Z - Position of the Z Axis at the bottom of hole

* indicates optional

**CAUTION:**

Unless you specify otherwise, this canned cycle uses the most recently commanded spindle direction (M03, M04, or M05). If the program did not specify a spindle direction before it commands this canned cycle, the default is M03 (clockwise). If you command M05, the canned cycle will run as a “no-spin” cycle. This lets you run applications with self-driven tools, but it can also cause a crash. Be sure of the spindle direction command when you use this canned cycle.

F7.28: G81 Drill Canned Cycle



This is a program to drill through an aluminum plate:

```

%
O60811 (G81 DRILLING CANNED CYCLE) ;
(G54 X0 Y0 is at the top-left of part) ;
(Z0 is on top of the part) ;
(T1 is a .5 in drill) ;
(BEGIN PREPARATION BLOCKS) ;
T1 M06 (Select tool 1) ;
G00 G90 G40 G49 G54 (Safe startup) ;
G00 G54 X2. Y-2. (Rapid to 1st position) ;
S1000 M03 (Spindle on CW) ;
G43 H01 Z0.1 (Activate tool offset 1) ;
M08 (Coolant on) ;
(BEGIN CUTTING BLOCKS) ;
G81 Z-0.720 R0.1 F15.(Begin G81) ;
(Drill 1st hole at current X Y location) ;
X2. Y-4. (2nd hole) ;
X4. Y-4. (3rd hole) ;
X4. Y-2. (4th hole) ;
(BEGIN COMPLETION BLOCKS) ;
G00 G90 Z1. M09 (Rapid retract, coolant off) ;
G53 G49 Z0 M05 (Z home, spindle off) ;
G53 Y0 (Y home) ;
M30 (End program) ;
%
```

G82 Spot Drill Canned Cycle (Group 09)

*E - Chip-clean RPM (Spindle reverses to remove chips after each cycle)

F - Feedrate

*L - Number of holes if G91 (Incremental Mode) is used.

*P - The dwell time at the bottom of the hole

*R - Position of the R plane (position above the part)

*X - X-Axis location of hole

*Y - Y-Axis location of hole

Z - Position of bottom of hole

* indicates optional



NOTE:

The P values are modal. This means if you are in the middle of a canned cycle and a G04 Pnn or an M97 Pnn is used the P value will be used for the dwell / subprogram as well as the canned cycle.



CAUTION:

Unless you specify otherwise, this canned cycle uses the most recently commanded spindle direction (M03, M04, or M05). If the program did not specify a spindle direction before it commands this canned cycle, the default is M03 (clockwise). If you command M05, the canned cycle will run as a “no-spin” cycle. This lets you run applications with self-driven tools, but it can also cause a crash. Be sure of the spindle direction command when you use this canned cycle.



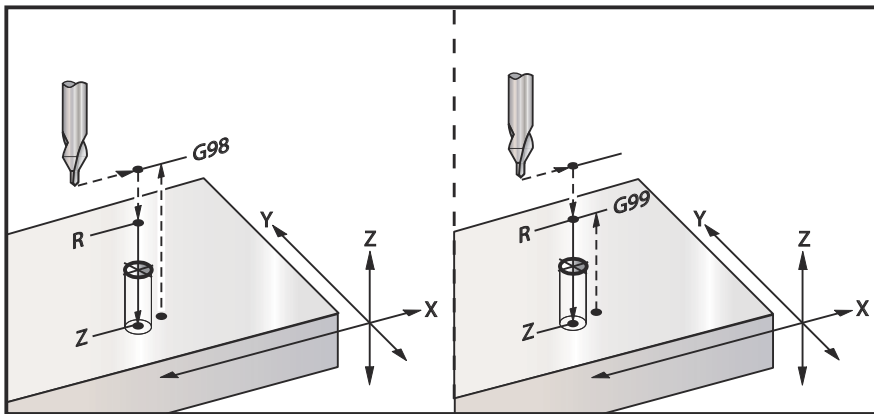
NOTE:

G82 is similar to G81 except that there is the option to program a dwell (P).

```
%
O60821 (G82 SPOT DRILLING CANNED CYCLE) ;
(G54 X0 Y0 is at the top-left of part) ;
(Z0 is on top of the part) ;
(T1 is a 0.5 in 90 degree spot drill) ;
(BEGIN PREPARATION BLOCKS) ;
T1 M06 (Select tool 1) ;
G00 G90 G40 G49 G54 (Safe startup) ;
G00 G54 X2. Y-2. (Rapid to 1st position) ;
S1000 M03 (Spindle on CW) ;
G43 H01 Z0.1 (Activate tool offset 1) ;
```

```
M08 (Coolant on) ;  
(BEGIN CUTTING BLOCKS) ;  
G82 Z-0.720 P0.3 R0.1 F15.(Begin G82) ;  
(Drill 1st hole at current X Y location) ;  
X2. Y-4. (2nd hole) ;  
X4. Y-4. (3rd hole) ;  
X4. Y-2. (4th hole) ;  
(BEGIN COMPLETION BLOCKS) ;  
G00 Z1. M09 (Rapid retract, Coolant off) ;  
G53 G49 Z0 M05 (Z home, Spindle off) ;  
G53 Y0 (Y home) ;  
M30 (End program) ;  
%
```

F7.29: G82 Spot Drilling Example



G83 Normal Peck Drilling Canned Cycle (Group 09)

- *E - Chip-clean RPM (Spindle reverses to remove chips after each cycle)
- F - Feedrate
- *I - Size of first peck depth
- *J - Amount to reduce peck depth each pass
- *K - Minimum depth of peck
- *L - Number of holes if G91 (Incremental Mode) is used, also G81 through G89.
- *P - Pause at end of last peck, in seconds (Dwell)
- *Q - Peck depth, always incremental
- *R - Position of the R plane (position above the part)
- *X - X-Axis location of hole
- *Y - Y-Axis location of hole
- Z - Position of the Z-Axis at the bottom of hole

* indicates optional

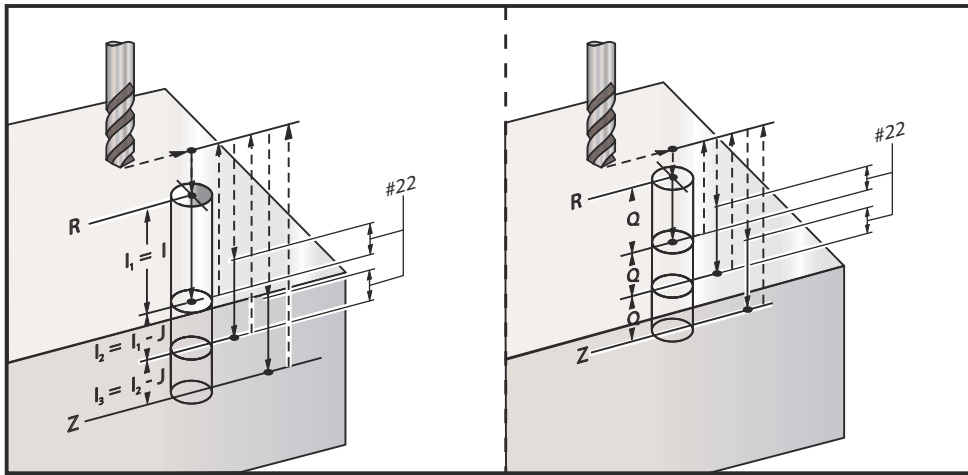
If I , J , and K are specified, the first pass will cut in by the amount of I , each succeeding cut will be reduced by amount J , and the minimum cutting depth is K . Do not use a Q value when programming with I , J , and K .

If P is specified, the tool will pause at the bottom of the hole for that amount of time. The following example will peck several times and dwell for 1.5 seconds:

```
G83 Z-0.62 F15. R0.1 Q0.175 P1.5 ;
```

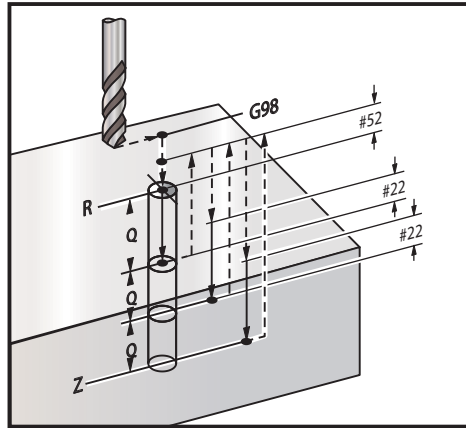
The same dwell time will apply to all subsequent blocks that do not specify a dwell time.

F7.30: G83 Peck Drilling with I , J , K and Normal Peck Drilling: [#22] Setting 22.



Setting 52 changes the way G83 works when it returns to the R plane. Usually the R plane is set well above the cut to ensure that the peck motion allows the chips to get out of the hole. This wastes time as the drill starts by drilling empty space. If Setting 52 is set to the distance required to clear chips, you can set the R plane much closer to the part. When the chip-clearing move to R occurs, Setting 52 determines the Z-Axis distance above R.

F7.31: G83 peck Drilling Canned Cycle with Setting 52 [#52]



```

%
O60831 (G83 PECK DRILLING CANNED CYCLE) ;
(G54 X0 Y0 is at the top-left of part) ;
(Z0 is on top of the part) ;
(T1 is a 0.3125 in. stub drill) ;
(BEGIN PREPARATION BLOCKS) ;
T1 M06 (Select tool 1) ;
G00 G90 G40 G49 G54 (Safe startup) ;
G00 G54 X2. Y-2. (Rapid to 1st position) ;
S1000 M03 (Spindle on CW) ;
G43 H01 Z0.1 (Activate tool offset 1) ;
M08 (Coolant on) ;
(BEGIN CUTTING BLOCKS) ;
G83 Z-0.720 Q0.175 R0.1 F15.(Begin G83) ;
(Drill 1st hole at current X Y location) ;
X2. Y-4. (2nd hole) ;
X4. Y-4. (3rd hole) ;
X4. Y-2. (4th hole) ;
(BEGIN COMPLETION BLOCKS) ;
G00 Z1. M09 (Rapid retract, Coolant off) ;
G53 G49 Z0 M05 (Z home, Spindle off) ;
G53 Y0 (Y home) ;
M30 (End program) ;
%
```


G84 Tapping Canned Cycle (Group 09)

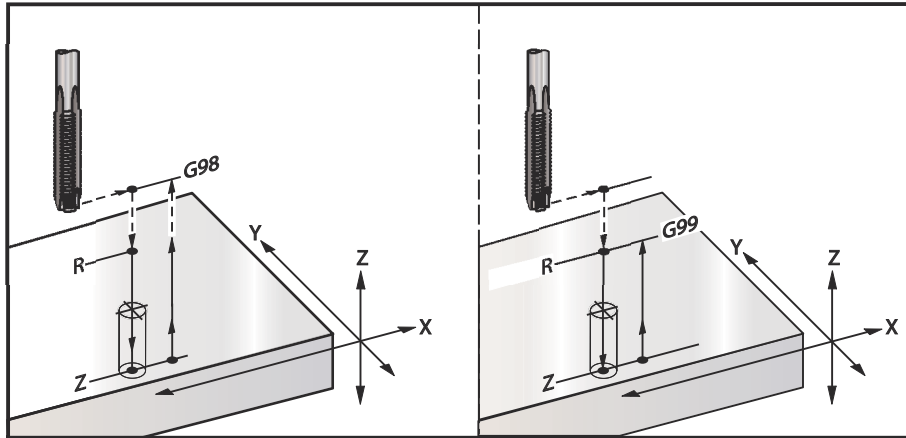
- *E - Chip-clean RPM (Spindle reverses to remove chips after each cycle)
 - F - Feedrate
 - * J - Retract Multiple (Example: J2 retracts twice as fast as the cutting speed, also refer to Setting 130)
 - * L - Number of holes if G91 (Incremental Mode) is used
 - * R - Position of the R plane (Position above the part)
 - * X - X-Axis location of hole
 - * Y - Y-Axis location of hole
 - Z - Position of the Z Axis at the bottom of hole
 - * Q - Peck Depth (always incremental)
 - * S - Spindle speed
- * indicates optional



NOTE:

You do not need to command a spindle start (M03 / M04) before G84. The canned cycle starts and stops the spindle as needed.

F7.32: G84 Tapping Canned Cycle



```

%
O60841 (G84 TAPPING CANNED CYCLE) ;
(G54 X0 Y0 is at the top-left of part) ;
(Z0 is on top of the part) ;
(T1 is a 3/8-16 tap) ;
(BEGIN PREPARATION BLOCKS) ;
T1 M06 (Select tool 1) ;
G00 G90 G40 G49 G54 (Safe startup) ;
G00 G54 X2. Y-2. (Rapid to 1st position) ;
G43 H01 Z0.1 (Activate tool offset 1) ;

```

```
M08 (Coolant on) ;  
(BEGIN CUTTING BLOCKS) ;  
G84 Z-0.600 R0.1 F56.25 S900 (Begin G84) ;  
(900 rpm divided by 16 tpi = 56.25 ipm) ;  
(Drill 1st hole at current X Y location) ;  
X2. Y-4. (2nd hole) ;  
X4. Y-4. (3rd hole) ;  
X4. Y-2. (4th hole) ;  
(BEGIN COMPLETION BLOCKS) ;  
G00 Z1. M09 (Canned cycle off, rapid retract) ;  
(Coolant off) ;  
G53 G49 Z0 (Z home) ;  
G53 Y0 (Y home) ;  
M30 (End program) ;  
%
```

G85 Bore In, Bore Out Canned Cycle (Group 09)

F - Feedrate

***L** - Number of holes if G91 (Incremental Mode) is used

***R** - Position of the R plane (position above the part)

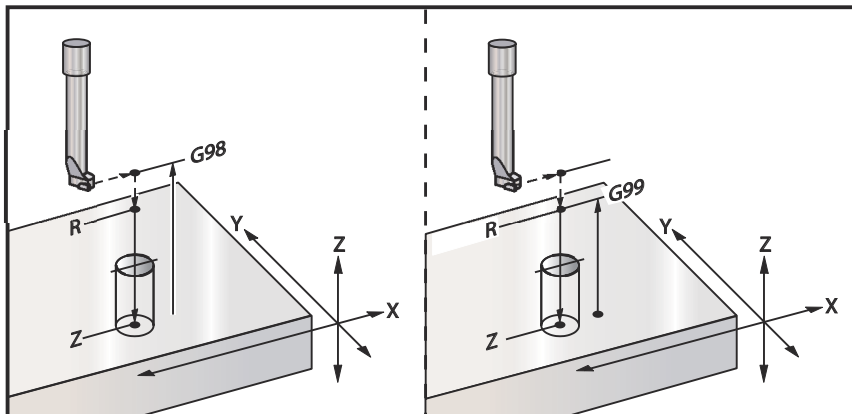
***X** - X-Axis location of holes

***Y** - Y-Axis location of holes

Z - Position of the Z Axis at the bottom of hole

* indicates optional

F7.33: G85 Boring Canned Cycle



G86 Bore and Stop Canned Cycle (Group 09)

F - Feedrate

*L - Number of holes if G91 (Incremental Mode) is used

*R - Position of the R plane (position above the part)

*X - X-Axis location of hole

*Y - Y-Axis location of hole

Z - Position of the Z Axis at the bottom of hole

* indicates optional

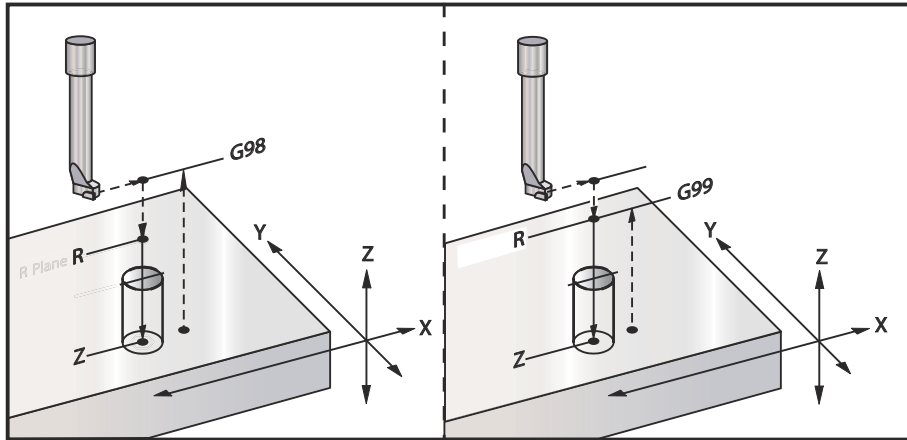


CAUTION:

Unless you specify otherwise, this canned cycle uses the most recently commanded spindle direction (M03, M04, or M05). If the program did not specify a spindle direction before it commands this canned cycle, the default is M03 (clockwise). If you command M05, the canned cycle will run as a “no-spin” cycle. This lets you run applications with self-driven tools, but it can also cause a crash. Be sure of the spindle direction command when you use this canned cycle.

This G code will stop the spindle once the tool reaches the bottom of the hole. The tool is retracted once the spindle has stopped.

F7.34: G86 Bore and Stop Canned Cycles



G89 Bore In, Dwell, Bore Out Canned Cycle (Group 09)

F - Feedrate

L - Number of holes if G91 (Incremental Mode) is used

P - The dwell time at the bottom of the hole

***R** - Position of the R plane (position above the part)

X - X-Axis location of holes

Y - Y-Axis location of holes

Z - Position of the Z Axis at the bottom of hole

* indicates optional



NOTE:

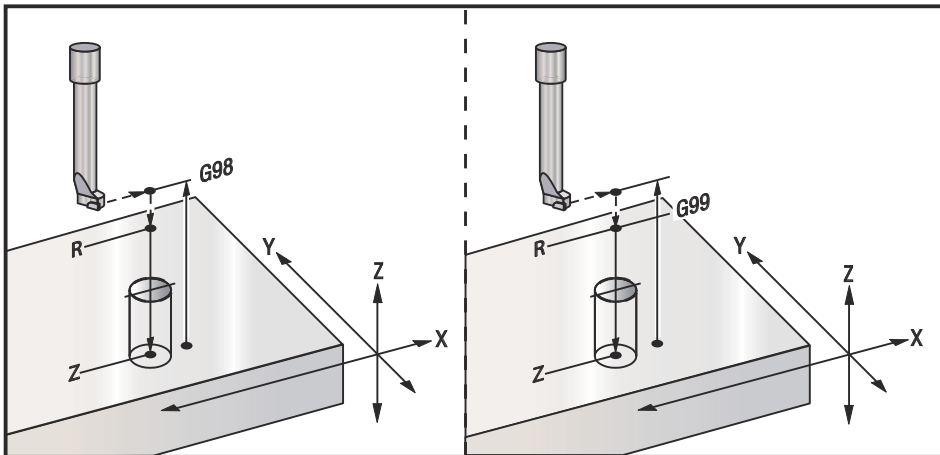
The P values are modal. This means if you are in the middle of a canned cycle and a G04 Pnn or an M97 Pnn is used the P value will be used for the dwell / subprogram as well as the canned cycle.



CAUTION:

Unless you specify otherwise, this canned cycle uses the most recently commanded spindle direction (M03, M04, or M05). If the program did not specify a spindle direction before it commands this canned cycle, the default is M03 (clockwise). If you command M05, the canned cycle will run as a “no-spin” cycle. This lets you run applications with self-driven tools, but it can also cause a crash. Be sure of the spindle direction command when you use this canned cycle.

F7.35: G89 Bore and Dwell and Canned Cycle



G90 Absolute / G91 Incremental Position Commands (Group 03)

These G codes change the way the axis commands are interpreted. Axes commands following a G90 will move the axes to the machine coordinate. Axes commands following a G91 will move the axis that distance from the current point. G91 is not compatible with G143 (5-Axis Tool Length Compensation).

The Basic Programming section of this manual, beginning on page 190, includes a discussion of absolute versus incremental programming.

G92 Set Work Coordinate Systems Shift Value (Group 00)

This G-code does not move any of the axes; it only changes the values stored as user work offsets. G92 works differently depending on Setting 33, which selects a FANUC or HAAS coordinate system.

FANUC or HAAS

If Setting 33 is set to **FANUC** or **HAAS**, a G92 command shifts all work coordinate systems (G54-G59, G110-G129) so that the commanded position becomes the current position in the active work system. G92 is non-modal.

A G92 command cancels any G52 in effect for the commanded axes. Example: G92 X1.4 cancels the G52 for the X-Axis. The other axes are not affected.

The G92 shift value is displayed at the bottom of the Work Offsets page and may be cleared there if necessary. It is also cleared automatically after power-up, and any time **[ZERO RETURN]** and **[ALL]** or **[ZERO RETURN]** and **[SINGLE]** are used.

G92 Clear Shift Value From Within a Program

G92 shifts may be canceled by programming another G92 shift to change the current work offset back to the original value.

```

%
O60921 (G92 SHIFT WORK OFFSETS) ;
(G54 X0 Y0 Z0 is at the center of mill travel) ;
G00 G90 G54 X0 Y0 (Rapid to G54 origin) ;
G92 X2. Y2. (Shifts current G54) ;
G00 G90 G54 X0 Y0 (Rapid to G54 origin) ;
G92 X-2. Y-2. (Shifts current G54 back to original) ;
G00 G90 G54 X0 Y0 (Rapid to G54 origin) ;
M30 (End program) ;
%
```

G93 Inverse Time Feed Mode (Group 05)

F - Feed Rate (strokes per minute)

This G code specifies that all **F** (feedrate) values are interpreted as strokes per minute. In other words the time (in seconds) to complete the programmed motion using G93 is, 60 (seconds) divided by the **F** value.

G93 is generally used in 4 and 5-axis work when the program is generated using a CAM system. G93 is a way of translating the linear (inches/min) feedrate into a value that takes rotary motion into account. When G93 is used, the **F** value will tell you how many times per minute the stroke (tool move) can be repeated.

When G93 is used, feedrate (**F**) is mandatory for all interpolated motion blocks. Therefore each non-rapid motion block must have its own feedrate (**F**) specification.



NOTE:

*Pressing **[RESET]** will set the machine to G94 (Feed per Minute) mode. Settings 34 and 79 (4th & 5th axis diameter) are not necessary when using G93.*

G94 Feed Per Minute Mode (Group 05)

This code deactivates G93 (Inverse Time Feed Mode) and returns the control to Feed Per Minute mode.

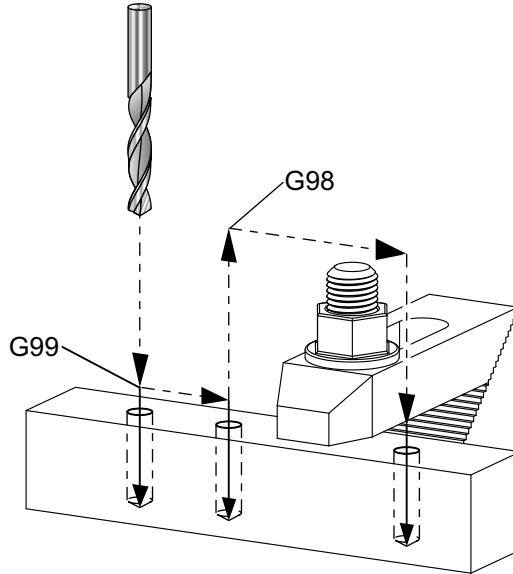
G95 Feed per Revolution (Group 05)

When G95 is active, a spindle revolution will result in a travel distance specified by the Feed value. If Setting 9 is set to **INCH**, then the feed value **F** will be taken as inches/rev (set to **MM**, then the feed will be taken as mm/rev). Feed Override and Spindle Override will affect the behavior of the machine while G95 is active. When a Spindle Override is selected, any change in the spindle speed will result in a corresponding change in feed in order to keep the chip load uniform. However, if a Feed Override is selected, then any change in the Feed Override will only affect the feed rate and not the spindle.

G98 Canned Cycle Initial Point Return (Group 10)

Using G98, the Z-Axis returns to its initial starting point (the Z position in the block before the canned cycle) between each X/Y position. This lets you program up and around areas of the part, clamps, and fixtures.

F7.36: G98 Initial Point Return. After the second hole, the Z Axis returns to the starting position [G98] to move over the toe clamp to the next hole position.



```

%
O69899 (G98/G99 INITIAL POINT & R PLANE RETURN) ;
(G54 X0 Y0 is top right corner of part) ;
(Z0 is on top of the part) ;
(T1 is a drill) ;
(BEGIN PREPARATION BLOCKS) ;
T1 M06 (Select tool 1) ;
G00 G90 G17 G40 G49 G54 (Safe startup) ;
G00 G54 X1. Y-0.5 (Rapid to 1st position) ;
S1000 M03 (Spindle on CW) ;
G43 H01 Z2. (Tool offset 1 on) ;
M08 (Coolant on) ;
(BEGIN CUTTING BLOCKS) ;
G81 G99 X1. Z-0.5 F10. R0.1 (Begin G81 using G99) ;
G98 X2. (2nd hole and then clear clamp with G98) ;
X4. (Drill 3rd hole) ;
(BEGIN COMPLETION BLOCKS) ;
G00 Z2. M09 (Rapid retract, Coolant off) ;
G53 G49 Z0 M05 (Z home, Spindle off) ;
G53 Y0 (Y home) ;

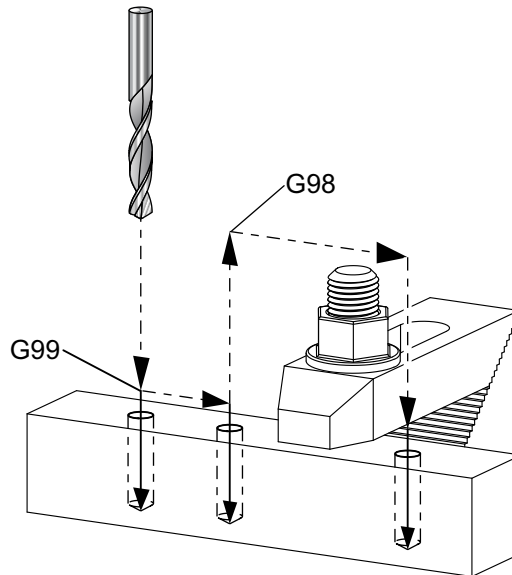
```

```
M30 (End program) ;
%
```

G99 Canned Cycle R Plane Return (Group 10)

Using G99, the Z-Axis will stay at the R plane between each X and/or Y location. When obstructions are not in the path of the tool G99 saves machining time.

F7.37: G99R Plane Return. After the first hole, the Z Axis returns to the R plane position [G99] and moves to the second hole position. This is a safe move in this case because there are no obstacles.



```
%
O69899 (G98/G99 INITIAL POINT & R PLANE RETURN) ;
(G54 X0 Y0 is top right corner of part) ;
(Z0 is on top of the part) ;
(T1 is a drill) ;
(BEGIN PREPARATION BLOCKS) ;
T1 M06 (Select tool 1) ;
G00 G90 G17 G40 G49 G54 (Safe startup) ;
G00 G54 X1. Y-0.5 (Rapid to 1st position) ;
S1000 M03 (Spindle on CW) ;
G43 H01 Z2. (Tool offset 1 on) ;
M08 (Coolant on) ;
(BEGIN CUTTING BLOCKS) ;
G81 G99 X1. Z-0.5 F10. R0.1 (Begin G81 using G99) ;
G98 X2. (2nd hole and then clear clamp with G98) ;
X4. (Drill 3rd hole) ;
```



```
(BEGIN COMPLETION BLOCKS) ;  
G00 Z2. M09 (Rapid retract, Coolant off) ;  
G53 G49 Z0 M05 (Z home, Spindle off) ;  
G53 Y0 (Y home) ;  
M30 (End program) ;  
%
```

G100 Disable / G101 Enable Mirror Image (Group 00)

***X** - X-Axis command
***Y** - Y-Axis command
***Z** - Z-Axis command
***A** - A-Axis command
***B** - B-Axis command
***C** - C-Axis command

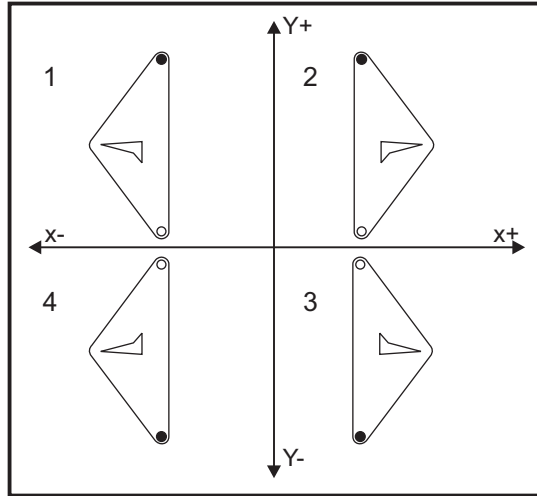
* indicates optional

Programmable mirror imaging is used to turn on or off any of the axes. When one is **ON**, axis motion may be mirrored (or reversed) around the work zero point. These G codes should be used in a command block without any other G codes. They do not cause any Axis motion. The bottom of the screen indicates when an axis is mirrored. Also see Settings 45, 46, 47, 48, 80, and 250 for mirror imaging.

The format for turning Mirror Image on and off is:

```
G101 X0. (turns on mirror imaging for the X-Axis) ;  
G100 X0. (turns off mirror imaging for the X-Axis) ;
```

F7.38: X-Y Mirror Image

**G103 Limit Block Look-Ahead (Group 00)**

G103 specifies the maximum number of blocks the control looks ahead (Range 0-15), for example:

```
G103 [P..] ;
```

During machine motions, the control prepares future blocks (lines of code) ahead of time. This is commonly called "Block Look-ahead." While the control executes the current block, it has already interpreted and prepared the next block for continuous motion.

A program command of G103 P0, or simply G103, disables block limiting. A program command of G103 Pn limits look-ahead to n blocks.

G103 is useful for debugging macro programs. The control interprets Macro expressions during look-ahead time. If you insert a G103 P1 into the program, the control interprets macro expressions (1) block ahead of the currently executing block.

When a G103 P1 is called, it is best to add several empty lines after a block with G-code if a block using macros follows that G-code block, to ensure that the macro statement is only evaluated after the previous G-code block is processed. This keeps macros from unintentionally being reassigned values before the G-code blocks are done (see example below), and also helps ensure that the value of macros used during conditional statements are the intended values.

Example:

```
#12012 = 1;
```

```
G04 P1. ;
#12012 = 0;
```

This is intended to turn an output on, wait 1 second, and then turn it off. However, lookahead causes the output to turn on then immediately back off while the control processes the dwell. G103 P1 is used to limit lookahead to 1 block. To make this example work properly, modify it as follows:

```
G103 P1;
;
#12012=1;
G04 P1.;
;
;
;
#12012=0;
```

G103 affects cutter compensation and High Speed Machining.



NOTE:

The P values are modal. This means if you are in the middle of a canned cycle and a G04 Pnn or an M97 Pnn is used the P value will be used for the dwell / subprogram as well as the canned cycle.

G107 Cylindrical Mapping (Group 00)

- ***X** - X-Axis command
- ***Y** - Y-Axis command
- ***Z** - Z-Axis command
- ***A** - A-Axis command
- ***B** - B-Axis command
- C** - C-Axis command
- ***Q** - Diameter of the cylindrical surface
- ***R** - Radius of the rotary axis

* indicates optional

This G code translates all programmed motion occurring in a specified linear axis into the equivalent motion along the surface of a cylinder (as attached to a rotary axis) as shown in the following figure. It is a Group 0 G code, but its default operation is subject to Setting 56 (M30 Restores Default G). The G107 command is used to either activate or deactivate cylindrical mapping.

- Any linear-axis program can be cylindrically mapped to any rotary axis (one at a time).

- An existing linear-axis G-code program can be cylindrically mapped by inserting a G107 command at the beginning of the program.
- The radius (or diameter) of the cylindrical surface can be redefined, allowing cylindrical mapping to occur along surfaces of different diameters without having to change the program.
- The radius (or diameter) of the cylindrical surface can either be synchronized with or be independent of the rotary axis diameter(s) specified in the Settings 34 and 79.
- G107 can also be used to set the default diameter of a cylindrical surface, independently of any cylindrical mapping that may be in effect.

G110-G129 Coordinate System #7-26 (Group 12)

These codes select one of the additional work coordinate systems. All subsequent references to axis positions will be interpreted in the new coordinate system. Operation of G110 to G129 is the same as G54 to G59.

G136 Automatic Work Offset Center Measurement (Group 00)

This G-code is optional and requires a probe. Use it to set work offsets to the center of a work piece with a work probe.

F - Feedrate

***I** - Optional offset distance along X-Axis

***J** - Optional offset distance along Y-Axis

***K** - Optional offset distance along Z-Axis

***X** - Optional X-Axis motion command

***Y** - Optional Y-Axis motion command

***Z** - Optional Z-Axis motion command

* indicates optional

Automatic Work Offset Center Measurement (G136) is used to command a spindle probe to set work offsets. A G136 will feed the axes of the machine in an effort to probe the work piece with a spindle mounted probe. The axis (axes) will move until a signal (skip signal) from the probe is received or the end of the programmed move is reached. Tool compensation (G41, G42, G43, or G44) must not be active when this function is performed. The currently active work coordinate system is set for each axis programmed. Use a G31 cycle with an M75 to set the first point. A G136 will set the work coordinates to a point at the center of a line between the probed point and the point set with an M75. This allows the center of the part to be found using two separate probed points.

If an I, J, or K is specified, the appropriate axis work offset is shifted by the amount in the I, J, or K command. This allows the work offset to be shifted away from the measured center of the two probed points.

Notes:

This code is non-modal and only applies to the block of code in which G136 is specified.

The points probed are offset by the values in Settings 59 through 62. See the Settings section of this manual for more information.

Do not use Cutter Compensation (G41, G42) with a G136.

Do not use tool length Compensation (G43, G44) with G136

To avoid damaging the probe, use a feed rate below F100. (inch) or F2500. (metric).

Turn on the spindle probe before using G136.

If your mill has the standard Renishaw probing system, use the following commands to turn on the spindle probe:

```
M59 P3 ;
```

Use the following commands to turn off the spindle probe:

```
M69 P3 ;
```

Also see M75, M78, and M79.

Also see G31.

This sample program measures the center of a part in the Y Axis and records the measured value to the G58 Y Axis work offset. To use this program, the G58 work offset location must be set at or close to the center of the part to be measured.

```
%
O61361 (G136 AUTO WORK OFFSET - CENTER OF PART) ;
(G58 X0 Y0 is at the center of part) ;
(Z0 is on top of the part) ;
(T1 is a spindle probe) ;
(BEGIN PREPARATION BLOCKS) ;
T1 M06 (Select tool 1) ;
G00 G90 G40 G49 G54 (Safe startup) ;
G00 G58 X0. Y1. (Rapid to 1st position) ;
(BEGIN PROBING BLOCKS) ;
M59 P3 (Spindle probe on) ;
Z-10. (Rapid spindle down to position) ;
G91 G01 Z-1. F20. (Incremental feed by Z-1.) ;
G31 Y-1. F10. M75 (Measure & record Y reference) ;
G01 Y0.25 F20. (Feed away from surface) ;
G00 Z2. (Rapid retract) ;
Y-2. (Move to opposite side of part) ;
G01 Z-2. F20. (Feed by Z-2.) ;
```

```
G136 Y1. F10. ;
  (Measure and record center in the Y axis) ;
G01 Y-0.25 (Feed away from surface) ;
G00 Z1. (Rapid retract) ;
M69 P3 (Spindle probe off) ;
  (BEGIN COMPLETION BLOCKS) ;
G00 G90 G53 Z0. (Rapid retract to Z home) ;
M30 (End program) ;
%
```

G141 3D+ Cutter Compensation (Group 07)

X - X-Axis command

Y - Y-Axis command

Z - Z-Axis command

***A** - A-Axis command (optional)

***B** - B-Axis command (optional)

***D** - Cutter Size Selection (modal)

I - X-Axis cutter compensation direction from program path

J - Y-Axis cutter compensation direction from program path

K - Z-Axis cutter compensation direction from program path

F - Feedrate

* indicates optional

This feature performs three-dimensional cutter compensation.

The form is:

```
G141 Xnnn Ynnn Znnn Innn Jnnn Knnn Fnnn Dnnn
```

Subsequent lines can be:

```
G01 Xnnn Ynnn Znnn Innn Jnnn Knnn Fnnn ;
```

Or

```
G00 Xnnn Ynnn Znnn Innn Jnnn Knnn ;
```

Some CAM systems are able to output the X, Y, and Z with values for I, J, K. The I, J, and K values tell the control the direction in which to apply the compensation at the machine. Similar to other uses of I, J, and K, these are incremental distances from the X, Y, and Z point called.

The I, J, and K specify the normal direction, relative to the center of the tool, to the contact point of the tool in the CAM system. The I, J, and K vectors are required by the control to be able to shift the toolpath in the correct direction. The value of the compensation can be in a positive or negative direction.

The offset amount entered in radius or diameter (Setting 40) for the tool will compensate the path by this amount, even if the tool motions are 2 or 3 axes. Only G00 and G01 can use G141. A Dnn will have to be programmed; the D-code selects which tool wear diameter offset to use. A feedrate must be programmed on each line if in G93 Inverse Time Feed mode.

With a unit vector, the length of the vector line must always equal 1. In the same way that a unit circle in mathematics is a circle with a radius of 1, a unit vector is a line that indicates a direction with a length of 1. Remember, the vector line does not tell the control how far to move the tool when a wear value is entered, just the direction in which to go.

Only the endpoint of the commanded block is compensated in the direction of I, J, and K. For this reason, this compensation is recommended only for surface toolpaths having a tight tolerance (small motion between blocks of code). G141 compensation does not prohibit the toolpath from crossing over itself when excessive cutter compensation is entered. The tool will be offset, in the direction of the vector line, by the combined values of the tool offset geometry plus the tool offset wear. If compensation values are in diameter mode (Setting 40), the move will be half the amount entered in these fields.

For best results, program from the tool center using a ball nose endmill.

```

%
O61411 (G141 3D CUTTER COMPENSATION) ;
(G54 X0 Y0 is at the bottom-left) ;
(Z0 is on top of the part) ;
(T1 is a ball nose endmill) ;
(BEGIN PREPARATION BLOCKS) ;
T1 M06 (Select tool 1) ;
G00 G90 G40G49 G54 (Safe startup) ;
G00 G54 X0 Y0 Z0 A0 B0 (Rapid to 1st position) ;
S1000 M03 (Spindle on CW) ;
G43 H01 Z0.1 (Activate tool offset 1) ;
M08 (Coolant on) ;
(BEGIN CUTTING BLOCKS) ;
G141 D01 X0. Y0. Z0. ;
(Rapid to position with 3D+ cutter comp) ;
G01 G93 X.01 Y.01 Z.01 I.1 J.2 K.9747 F300. ;
(Inverse time feed on, 1st linear motion) ;
N1 X.02 Y.03 Z.04 I.15 J.25 K.9566 F300. (2nd motion) ;
X.02 Y.055 Z.064 I.2 J.3 K.9327 F300. (3rd motion) ;
X2.345 Y.1234 Z-1.234 I.25 J.35 K.9028 F200. ;
(Last motion) ;
(BEGIN COMPLETION BLOCKS) ;

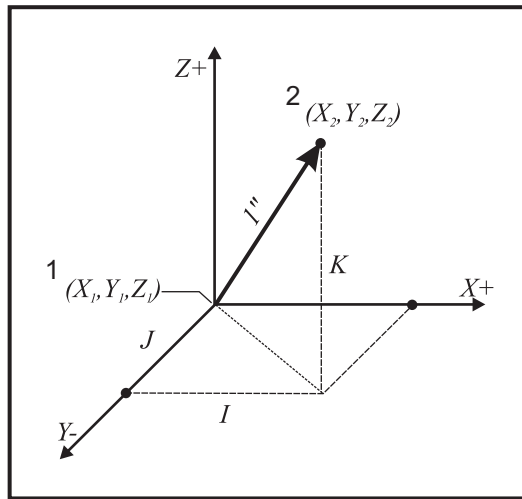
```

```
G94 F50. (Inverse time feed off) ;
G00 G90 G40 Z0.1 M09 (Cutter comp off) ;
(Rapid retract, Coolant off) ;
G53 G49 Z0 M05 (Z home, Spindle off) ;
G53 Y0 (Y home) ;
M30 (End program) ;
%
```

In the above example, we can see where the I, J, and K were derived by plugging the points into the following formula:

$AB = [(x_2-x_1)^2 + (y_2-y_1)^2 + (z_2-z_1)^2]$, a 3D version of the distance formula. Looking at line N1, we use 0.15 for x_2 , 0.25 for y_2 , and 0.9566 for z_2 . Because I, J, and K are incremental, we will use 0 for x_1 , y_1 , and z_1 .

F7.39: Unit Vector Example: The commanded line endpoint [1] is compensated in the direction of the vector line [2](I,J,K), by the amount of the Tool Offset Wear.



```
%
AB=[ (.15)^2 + (.25)^2 + (.9566)^2]
AB=[ .0225 + .0625 + .9150]
AB=1
%
```

A simplified example is listed below:

```
%
O61412 (G141 SIMPLE 3D CUTTER COMPENSATION) ;
```



```

(G54 X0 Y0 is at the bottom-left) ;
(Z0 is on top of the part) ;
(T1 is a ball nose endmill) ;
(BEGIN PREPARATION BLOCKS) ;
T1 M06 (Select tool 1) ;
G00 G90 G40 G49 G54 (Safe startup) ;
G00 G54 X0 Y0 (Rapid to 1st position) ;
S1000 M03 (Spindle on CW) ;
G43 H01 Z0.1 (Activate tool offset 1) ;
M08 (Coolant on) ;
(BEGIN CUTTING BLOCKS) ;
G141 D01 X0. Y0. Z0. ;
(Rapid to position with 3D+ cutter compensation) ;
N1 G01 G93 X5. Y0. I0. J-1. K0. F300. ;
(Inverse time feed on & linear motion) ;
(BEGIN COMPLETION BLOCKS) ;
G94 F50. (Inverse time feed off) ;
G00 G90 G40 Z0.1 M09 (Cutter compensation off) ;
(Rapid retract, Coolant off) ;
G53 G49 Z0 M05 (Z home, Spindle off) ;
G53 Y0 (Y home) ;
M30 (End program) ;
%
```

In this case, the wear value (DIA) for T01 is set to -.02. Line N1 moves the tool from (X0., Y0., Z0.) to (X5., Y0., Z0.). The J value tells the control to compensate the endpoint of the programmed line only in the Y Axis.

Line N1 could have been written using only the J-1. (not using I0. or K0.), but a Y value must be entered if a compensation is to be made in this axis (J value used).

G143 5-Axis Tool Length Compensation + (Group 08)

(This G-code is optional; it only applies to machines on which all rotary motion is movement of the cutting tool, such as VR-series mills)

This G code allows the user to correct for variations in the length of cutting tools without the need for a CAD/CAM processor. An H code is required to select the tool length from the existing length compensation tables. A G49 or H00 command will cancel 5-axis compensation. For G143 to work correctly there must be two rotary axes, A and B. G90, absolute positioning mode must be active (G91 cannot be used). Work position 0,0 for the A and B axes must be so the tool is parallel with Z-Axis motion.

The intention behind G143 is to compensate for the difference in tool length between the originally posted tool and a substitute tool. Using G143 allows the program to run without having to repost a new tool length.

G143 tool length compensation works only with rapid (G00) and linear feed (G01) motions; no other feed functions (G02 or G03) or canned cycles (drilling, tapping, etc.) can be used. For a positive tool length, the Z-Axis would move upward (in the + direction). If one of X, Y or Z is not programmed, there will be no motion of that axis, even if the motion of A or B produces a new tool length vector. Thus a typical program would use all 5 axes on one block of data. G143 may effect commanded motion of all axes in order to compensate for the A and B axes.

Inverse feed mode (G93) is recommended, when using G143.

```
%  
O61431 (G143 5-AXIS TOOL LENGTH) ;  
(G54 X0 Y0 is at the top-right) ;  
(Z0 is on top of the part) ;  
(BEGIN PREPARATION BLOCKS) ;  
T1 M06 (Select tool 1) ;  
G00 G90 G40 G49 G54 (Safe startup) ;  
G00 G54 X0 Y0 Z0 A0 B0 (Rapid to 1st position) ;  
S1000 M03 (Spindle on CW) ;  
G143 H01 X0. Y0. Z0. A-20. B-20. ;  
(Rapid to position w/ 5 Axis tool length comp) ;  
M08 (Coolant on) ;  
(BEGIN CUTTING BLOCKS) ;  
G01 G93 X.01 Y.01 Z.01 A-19.9 B-19.9 F300. ;  
(Inverse time feed on , 1st linear motion) ;  
X0.02 Y0.03 Z0.04 A-19.7 B-19.7 F300. ( 2nd motion) ;  
X0.02 Y0.055 Z0.064 A-19.5 B-19.6 F300. (3rd motion) ;  
X2.345 Y.1234 Z-1.234 A-4.127 B-12.32 F200. ;  
(Last motion) ;  
(BEGIN COMPLETION BLOCKS) ;  
G94 F50. (Inverse time feed off) ;  
G00 G90 Z0.1 M09 (Rapid retract, Coolant off) ;  
G53 G49 Z0 M05 (Tool length comp off) ;  
(Z home, Spindle off) ;  
G53 Y0 (Y home) ;  
M30 (End program) ;  
%
```

G150 General Purpose Pocket Milling (Group 00)

D - Tool radius/diameter offset selection
F - Feedrate
I - X-Axis cut increment (positive value)
J - Y-Axis cut increment (positive value)
K - Finishing pass amount (positive value)
P - Subprogram number that defines pocket geometry
Q - Incremental Z-Axis cut depth per pass (positive value)
***R** - Position of the rapid R-plane location
***S** - Spindle speed
X - X start position
Y - Y start position
Z - Final depth of pocket

* indicates optional

The G150 starts by positioning the cutter to a start point inside the pocket, followed by the outline, and completes with a finish cut. The end mill will plunge in the Z-Axis. A subprogram P### is called, which defines the pocket geometry of a closed area using G01, G02, and G03 motions in the X and Y axes on the pocket. The G150 command will search for an internal subprogram with a N-number specified by the P-code. If that is not found the control will search for an external subprogram. If neither are found, alarm 314 Subprogram Not In Memory will be generated.



NOTE:

When defining the G150 pocket geometry in the subprogram, do not move back to the starting hole after the pocket shape is closed.



NOTE:

The pocket geometry subprogram cannot use macro variables.

An **I** or **J** value defines the roughing pass amount the cutter moves over for each cut increment. If **I** is used, the pocket is roughed out from a series of increment cuts in the X-Axis. If **J** is used, the increment cuts are in the Y-Axis.

The **K** command defines a finish pass amount on the pocket. If a **K** value is specified, a finish pass is performed by **K** amount, around the inside of pocket geometry for the last pass and is done at the final Z depth. There is no finishing pass command for the Z depth.

The **R** value needs to be specified, even if it is zero (**R0**), or the last **R** value that was specified will be used.

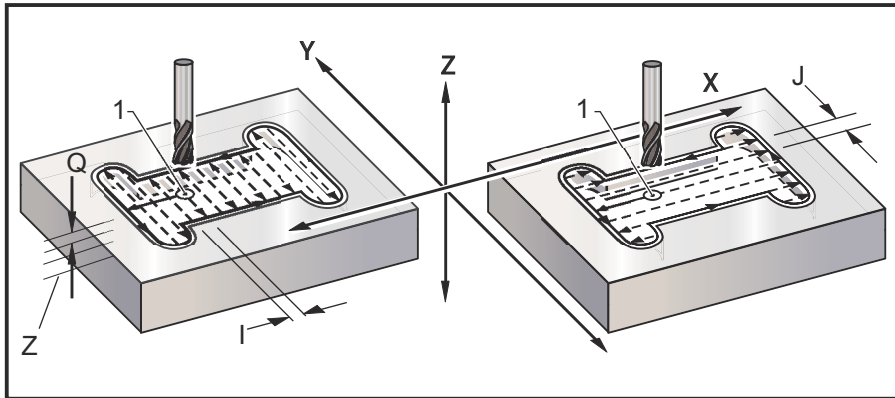
Multiple passes in the pocket area are done, starting from the R plane, with each Q (Z-Axis depth) pass to the final depth. The G150 command will first make a pass around pocket geometry, leaving stock with **K**, then doing passes of **I** or **J** roughing out inside of pocket after feeding down by the value in Q until the Z depth is reached.

The Q command must be in the G150 line, even if only one pass to the Z depth is desired. The Q command starts from the R plane.

Notes: The subprogram (P) must not consist of more than 40 pocket geometry moves.

It may be necessary to drill a starting point, for the G150 cutter, to the final depth (Z). Then position the end mill to the start location in the XY axes within the pocket for the G150 command.

F7.40: G150 General Pocket Milling: [1] Start Point, [Z] Final depth.



```

%
O61501 (G150 GENERAL POCKET MILLING) ;
(G54 X0 Y0 is at the bottom-left) ;
(Z0 is on top of the part) ;
(T1 is a .5" endmill) ;
(BEGIN PREPARATION BLOCKS) ;
T1 M06 (Select tool 1) ;
G00 G90 G40 G49 G54 (Safe startup) ;
G00 G54 X3.25 Y4.5 (Rapid to 1st position) ;
S1000 M03 (Spindle on CW) ;
G43 H01 Z1.0 (Activate tool offset 1) ;
M08 (Coolant on) ;
(BEGIN CUTTING BLOCKS) ;
G150 X3.25 Y4.5 Z-1.5 G41 J0.35 K.01 Q0.25 R.1 P61502 D01 F15.
;
(Pocket mill sequence, call pocket subprogram) ;
(Cutter comp on) ;
(0.01" finish pass K on sides) ;
G40 X3.25 Y4.5 (Cutter comp off) ;
(BEGIN COMPLETION BLOCKS) ;
G00 Z0.1 M09 (Rapid retract, Coolant off) ;
G53 G49 Z0 M05 (Z home, Spindle off) ;
G53 Y0 (Y home) ;
M30 (End program) ;

```

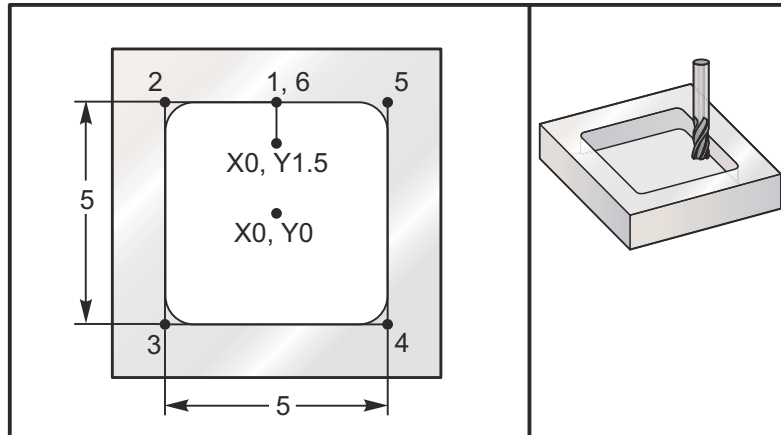
```

%
%
O61502 (G150 GENERAL POCKET MILL SUBPROGRAM) ;
(Subprogram for pocket in O61501) ;
(Must have a feedrate in G150) ;
G01 Y7. (First linear move onto pocket geometry) ;
X1.5 (Linear move) ;
G03 Y5.25 R0.875 (CCW arc) ;
G01 Y2.25 (Linear move) ;
G03 Y0.5 R0.875 (CCW arc) ;
G01 X5. (Linear move) ;
G03 Y2.25 R0.875 (CCW arc) ;
G01 Y5.25 (Linear move) ;
G03 Y7. R0.875 (CCW arc) ;
G01 X3.25 (Close pocket geometry) ;
M99 (Exit to Main Program) ;
%

```

Square Pocket

F7.41: G150 General Purpose Pocket Milling: 0.500 diameter endmill.



5.0 x 5.0 x 0.500 DP. Square Pocket

Main Program

```

%
O61503 (G150 SQUARE POCKET MILLING) ;
(G54 X0 Y0 is at the center of the part) ;
(Z0 is on top of the part) ;
(T1 is a .5" endmill) ;
(BEGIN PREPARATION BLOCKS) ;

```

```
T1 M06 (Select tool 1) ;
G00 G90 G40 G49 G54 (Safe startup) ;
G00 G54 X0 Y1.5 (Rapid to 1st position) ;
S1000 M03 (Spindle on CW) ;
G43 H01 Z1.0 (Activate tool offset 1) ;
M08 (Coolant on) ;
(BEGIN CUTTING BLOCKS) ;
G01 Z0.1 F10. (Feed right above the surface) ;
G150 P61504 Z-0.5 Q0.25 R0.01 J0.3 K0.01 G41 D01 F10. ;
(Pocket Mill sequence, call pocket subprogram) ;
(Cutter comp on) ;
(0.01" finish pass K on sides) ;
G40 G01 X0. Y1.5 (Cutter comp off) ;
(BEGIN COMPLETION BLOCKS) ;
G00 Z0.1 M09 (Rapid retract, Coolant off) ;
G53 G49 Z0 M05 (Z home, Spindle off) ;
G53 Y0 (Y home) ;
M30 (End program) ;
%
```

Subprogram

```
%
O61505 (G150 INCREMENTAL SQUARE POCKET MILLING SUBPROGRAM) ;
(Subprogram for pocket in O61503) ;
(Must have a feedrate in G150) ;
G91 G01 Y0.5 (Linear move to position 1) ;
X-2.5 (Linear move to position 2) ;
Y-5. (Linear move to position 3) ;
X5. (Linear move to position 4) ;
Y5. (Linear move to position 5) ;
X-2.5 (Linear move to position 6, Close Pocket Loop) ;
G90 (Turn off incremental mode, Turn on absolute) ;
M99 (Exit to Main Program) ;
%
```

Absolute and Incremental examples of a subprogram called up by the P#### command in the G150 line:

Absolute Subprogram

```
%
O61504 (G150 ABSOLUTE SQUARE POCKET MILLING SUBPROGRAM) ;
(Subprogram for pocket in O61503) ;
(Must have a feedrate in G150) ;
```

```

G90 G01 Y2.5 (Linear move to position 1) ;
X-2.5 (Linear move to position 2) ;
Y-2.5 (Linear move to position 3) ;
X2.5 (Linear move to position 4) ;
Y2.5 (Linear move to position 5) ;
X0. (Linear move to position 6, Close Pocket Loop) ;
M99 (Exit to Main Program) ;
%
```

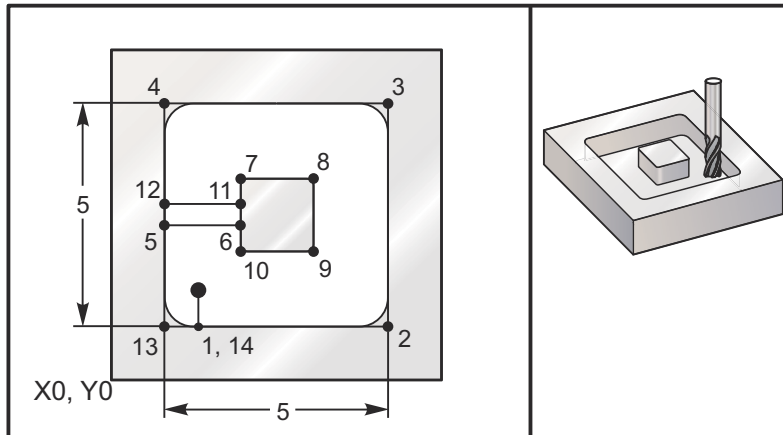
Incremental Subprogram

```

%
O61505 (G150 INCREMENTAL SQUARE POCKET MILLING SUBPROGRAM) ;
(Subprogram for pocket in O61503) ;
(Must have a feedrate in G150) ;
G91 G01 Y0.5 (Linear move to position 1) ;
X-2.5 (Linear move to position 2) ;
Y-5. (Linear move to position 3) ;
X5. (Linear move to position 4) ;
Y5. (Linear move to position 5) ;
X-2.5 (Linear move to position 6, Close Pocket Loop) ;
G90 (Turn off incremental mode, Turn on absolute) ;
M99 (Exit to Main Program) ;
%
```

Square Island

F7.42: G150 Pocket Milling Square Island: 0.500 diameter endmill.



5.0 x 5.0 x 0.500 DP. Square Pocket with Square Island

Main Program

```
%
O61506 (G150 SQUARE ISLAND POCKET MILLING) ;
(G54 X0 Y0 is at the bottom-left) ;
(Z0 is on top of the part) ;
(T1 is a .5" endmill) ;
(BEGIN PREPARATION BLOCKS) ;
T1 M06 (Select tool 1) ;
G00 G90 G40 G49 G54 (Safe startup) ;
G00 G54 X2. Y2. (Rapid to 1st position) ;
S1000 M03 (Spindle on CW) ;
G43 H01 Z1.0(Activate tool offset 1) ;
M08(Coolant on) ;
(BEGIN CUTTING BLOCKS) ;
G01 Z0.01 F30. (Feed right above the surface) ;
G150 P61507 X2. Y2. Z-0.5 Q0.5 R0.01 I0.3 K0.01 G41 D01 F10. ;
(Pocket mill sequence, call pocket subprogram) ;
(Cutter comp off) ;
(0.01" finish pass K on sides) ;
G40 G01 X2.Y2. (Cutter comp off) ;
(BEGIN COMPLETION BLOCKS) ;
G00 Z0.1 M09 (Rapid retract, Coolant off) ;
G53 G49 Z0 M05 (Z home, Spindle) ;
G53 Y0 (Y home) ;
M30 (End program) ;
%
```

Subprogram

```
%
O61507 (G150 SQUARE ISLAND POCKET MILLING SUBPROGRAM) ;
(Subprogram for pocket in O61503) ;
(Must have a feedrate in G150) ;
G01 Y1. (Linear move to position 1) ;
X6. (Linear move to position 2) ;
Y6. (Linear move to position 3) ;
X1. (Linear move to position 4) ;
Y3.2 (Linear move to position 5) ;
X2.75 (Linear move to position 6) ;
Y4.25 (Linear move to position 7) ;
X4.25 (Linear move to position 8) ;
Y2.75 (Linear move to position 9) ;
X2.75 (Linear move to position 10) ;
Y3.8 (Linear move to position 11) ;
```

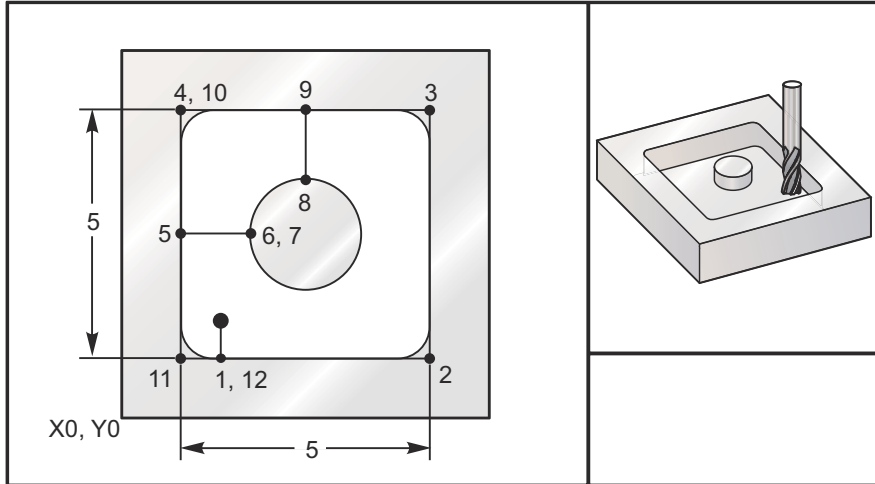


```

X1. (Linear move to position 12) ;
Y1. (Linear move to position 13) ;
X2. (Linear move to position 14, Close Pocket Loop) ;
M99 (Exit to Main Program) ;
%
```

Round Island

F7.43: G150 Pocket Milling Round Island: 0.500 diameter endmill.



5.0 x 5.0 x 0.500 DP. Square Pocket with Round Island

Main Program

```

%
O61508 (G150 SQ POCKET W/ ROUND ISLAND MILLING) ;
(G54 X0 Y0 is at the bottom-left) ;
(Z0 is on top of the part) ;
(T1 is a .5" endmill) ;
(BEGIN PREPARATION BLOCKS) ;
T1 M06 (Select tool 1) ;
G00 G90 G40 G49 G54 (Safe startup) ;
G00 G54 X2. Y2. (Rapid to 1st position) ;
S1000 M03 (Spindle on CW) ;
G43 H01 Z1.0 M08 (Activate tool offset 1) ;
(Coolant on) ;
(BEGIN CUTTING BLOCKS) ;
G01 Z0.01 F30. (Feed right above the surface) ;
G150 P61509 X2. Y2. Z-0.5 Q0.5 R0.01 J0.3 K0.01 G41 D01 F10. ;
(Pocket mill sequence, call pocket subprogram) ;
```

```
(Cutter comp on) ;
(0.01" finish pass K on sides) ;
G40 G01 X2.Y2. (Cutter comp off) ;
(BEGIN COMPLETION BLOCKS) ;
G00 Z0.1 M09 (Rapid retract, Coolant off) ;
G53 G49 Z0 M05 (Z home, Spindle off) ;
G53 Y0 (Y home) ;
M30 (End program) ;
%
```

Subprogram

```
%
O61509 (G150 SQ POCKET W/ ROUND ISLAND MILLING SUBPROGRAM) ;
(Subprogram for pocket in O61503) ;
(Must have a feedrate in G150) ;
G01 Y1. (Linear move to position 1) ;
X6. (Linear move to position 2) ;
Y6. (Linear move to position 3) ;
X1. (Linear move to position 4) ;
Y3.5 (Linear move to position 5) ;
X2.5 (Linear move to position 6) ;
G02 I1. (CW circle along X axis at position 7) ;
G02 X3.5 Y4.5 R1. (CW arc to position 8) ;
G01 Y6. (Linear move to position 9) ;
X1. (Linear move to position 10) ;
Y1. (Linear move to position 11) ;
X2. (Linear move to position 12, Close Pocket Loop) ;
M99 (Exit to Main Program) ;
%
```

G154 Select Work Coordinates P1-P99 (Group 12)

This feature provides 99 additional work offsets. G154 with a P value from 1 to 99 activates additional work offsets. For example G154 P10 selects work offset 10 from the list of additional work offsets.



NOTE:

G110 to G129 refer to the same work offsets as G154 P1 through P20; they can be selected by using either method.

When a G154 work offset is active, the heading in the upper right work offset will show the G154 P value.

**NOTE:**

The P values are modal. This means if you are in the middle of a canned cycle and a G04 Pnn or an M97 Pnn is used the P value will be used for the dwell / subprogram as well as the canned cycle.

G154 work offsets format

```
#14001-#14006 G154 P1 (also #7001-#7006 and G110)
#14021-#14026 G154 P2 (also #7021-#7026 and G111)
#14041-#14046 G154 P3 (also #7041-#7046 and G112)
#14061-#14066 G154 P4 (also #7061-#7066 and G113)
#14081-#14086 G154 P5 (also #7081-#7086 and G114)
#14101-#14106 G154 P6 (also #7101-#7106 and G115)
#14121-#14126 G154 P7 (also #7121-#7126 and G116)
#14141-#14146 G154 P8 (also #7141-#7146 and G117)
#14161-#14166 G154 P9 (also #7161-#7166 and G118)
#14181-#14186 G154 P10 (also #7181-#7186 and G119)
#14201-#14206 G154 P11 (also #7201-#7206 and G120)
#14221-#14226 G154 P12 (also #7221-#7226 and G121)
#14241-#14246 G154 P13 (also #7241-#7246 and G122)
#14261-#14266 G154 P14 (also #7261-#7266 and G123)
#14281-#14286 G154 P15 (also #7281-#7286 and G124)
#14301-#14306 G154 P16 (also #7301-#7306 and G125)
#14321-#14326 G154 P17 (also #7321-#7326 and G126)
#14341-#14346 G154 P18 (also #7341-#7346 and G127)
#14361-#14366 G154 P19 (also #7361-#7366 and G128)
#14381-#14386 G154 P20 (also #7381-#7386 and G129)
#14401-#14406 G154 P21
#14421-#14426 G154 P22
#14441-#14446 G154 P23
#14461-#14466 G154 P24
```

#14481-#14486 G154 P25
#14501-#14506 G154 P26
#14521-#14526 G154 P27
#14541-#14546 G154 P28
#14561-#14566 G154 P29
#14581-#14586 G154 P30
#14781-#14786 G154 P40
#14981-#14986 G154 P50
#15181-#15186 G154 P60
#15381-#15386 G154 P70
#15581-#15586 G154 P80
#15781-#15786 G154 P90
#15881-#15886 G154 P95
#15901-#15906 G154 P96
#15921-#15926 G154 P97
#15941-#15946 G154 P98
#15961-#15966 G154 P99

G156 Broaching Canned Cycle (Group 09)

Z - Z-axis absolute location total pecking depth.

* **X** - X-axis absolute location of furthest slice cycle.

* **Y** - Y-axis absolute location of furthest slice cycle.

* **I** - size of increment between slice cycles.

* **K** - Z-axis size of increment between pecks in a cycle.

* **F** - Feed rate per minute.

* **C** - C-axis position.

* **D** - Tool clearance when returning to starting plane.

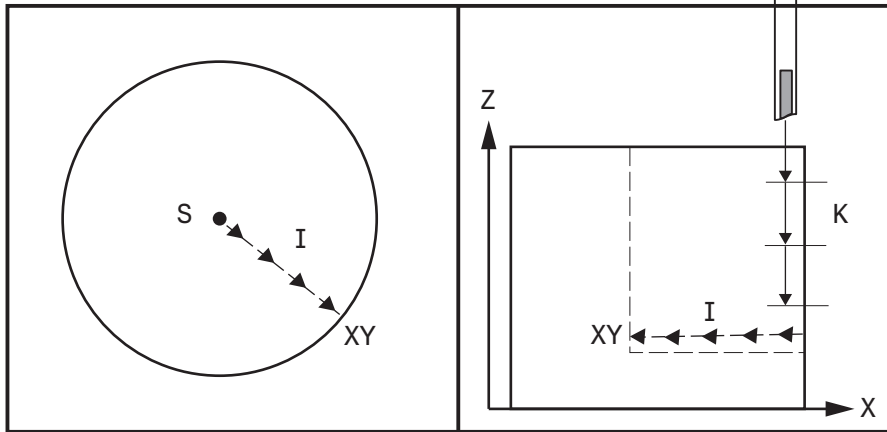
*indicates optional



NOTE:

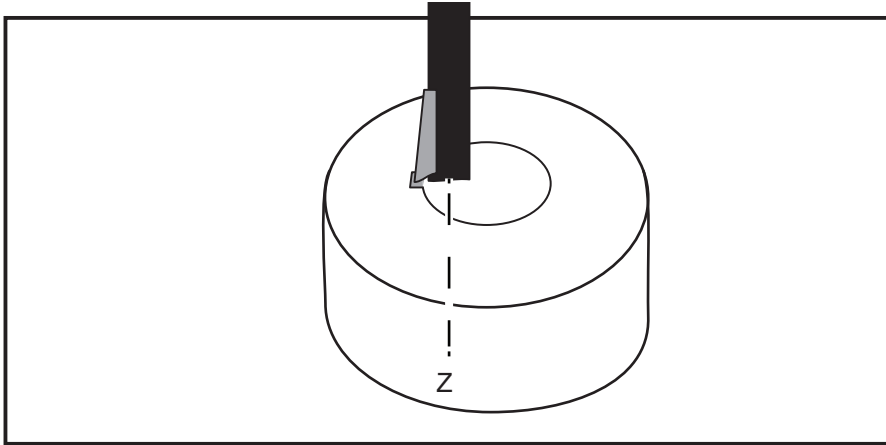
The machine must have software version 100.20.000.1000 or higher to use this G-code.

F7.44: G156 Broaching Canned Cycle: [S] Start position, [I] Slices, [K] Pecks.



Broaching operations canned cycle can be done on Inner and outer grooves in different position using the G156 code with an optional address codes which define the tool Pecks and the cut paths.

F7.45: Broaching operations canned cycle can be done using a single tool path (with adjustable programmable Pecks) when using a special broaching shape tool.



Spindle orient command M19 P/R code which used to position the spindle before broaching must be used first before executing G156 broaching canned cycle.



NOTE:

M19, P, or R should not be on the same line as G156. M19, P, or R value should not be negative. See

M19

for more information.



NOTE:

When moving the program and broach tool from one machine to another, the R value in the M19 (spindle orientation) line may change.

When **K** is added to a **G156** block, then pecking will be performed at each interval specified by **K**.

The **D** code can be used for grooving and turning to provide material clearance when returning to starting plane **S**.

The **D** code command is used to provide a tool clearance shift, in the X-axis before returning in the Z-axis to the "C" clearance point.

When an **X**, or **Y** code is added to a **G156** block and the current (i.e. actual) **X**, **Y**-axis machine position not at the position defined by **G156 X** or **Y**, then a minimum of two pecking canned cycles will occur, one at the current (actual) location of the machine **X Y**-axis, and another one at the **X Y** location set by **G156**.

The **I** code is the incremental distance (slices cycle) between the start position **S** toward the target **X/Y** Axes positions (i.e. the thickness of each slice).

Adding an **I** will performs multiple, evenly spaced, slice cycles between the starting position **S** and **X/Y** target position.

When the distance between **S** and target **X/Y** is not evenly divisible by **I**, then the last interval is less than **I**.

The tool clearance shift direction (i.e. shift in + X or - X, ZX plane,) will be depend on the sign of the **D** value (Positive/Negative).

When the **D** has a positive value, the tool moves in the positive direction of the X-axis.

When the **D** has a negative value, the tool moves further in the negative direction of the X-axis.

When **D** has a zero value or it not specified with the **G156** lathe broaching canned cycle, then there shall be no tool clearance shift in the X-axis before returning in the Z-axis to the "C" clearance point. I.e. the tool returning in the Z axis to the "C" clearance point will use the same peck path in the opposite direction.



NOTE:

An alarm will be generated if any spindle commanded to turn (other than spindle orient/ c axis position) within broaching canned cycle, or the broaching canned cycle is starting the Pecks cycle and the spindle is still turning.

Cxxx (position the C axis) could be use before or on the same line of G156 broaching canned cycle.

**NOTE:**

The broaching canned cycle is a modal, and should be repeated on each line within the canned cycle uses any broaching address code. Refer to example below:

T7.2: Mill Broaching: Example 1

G-Code	Program Sequence
<pre> % G156 X-10. Y-5.0 Z-12.0 I0.5 K0.5 F10.; X-5. Y-2.0 Z-10.0 I2.0 K2.0; I1.0 K1.0; C90.; C45.0 X-5. Y-3.0 Z-10.0 I2.0 K2.0; M19; G00 G80; %</pre>	<ul style="list-style-type: none"> • Mill Broaching Operations Canned Cycle Start. • Perform another broach with new XYZIK address codes values. • Perform another broach with new IK address codes values. • Perform another broach at new angle using the last specified address codes. • Rotate to new angle then broach using the new address codes values. • Orient the spindle. • End of Canned Cycle.

G167 - Modify Setting (Group 00)

P - This code specifies the setting number.

Q - specifies the setting value. This can be a decimal numeric value or an enumerated representation for unit-less settings.

K - the number after the **K** code specifies a guard code for permanent changes.

This G-code allows the user permanently make changes to settings during program execution.

The control will generate an Alarm when:

- the **P** or **Q** code is missing.
- the **P** code is not a valid setting number.
- the **Q** code is not a valid for the setting number.

Examples of G167:

Example #1

```
G167 P250 Q1 K10755;
```

Turns on setting 250 Mirror Image C Axis.

Example #2

```
G167 P84 Q3 K10755;
```

Sets setting 84 Tool Overload Action to Autofeed.

Example #3

```
G167 P142 Q1.25 K10755;
```

Sets setting 142 Offset Chng Tolerance to 1.25.

G174 CCW / G184 CW Non-Vertical Rigid Tap (Group 00)

F - Feedrate

X - X position at bottom of hole

Y - Y position at bottom of hole

Z - Z position at bottom of hole

***S** - Spindle Speed

* indicates optional

A specific X, Y, Z, A, B position must be programmed before the canned cycle is commanded. This position is used as the Start position.

This G code is used to perform rigid tapping for non-vertical holes. It may be used with a right-angle head to perform rigid tapping in the X or Y Axis on a three-axis mill, or to perform rigid tapping along an arbitrary angle with a five-axis mill. The ratio between the feedrate and spindle speed must be precisely the thread pitch being cut.

It is not necessary to start the spindle before this canned cycle; the control does this automatically.

G187 Accuracy Control (Group 00)

G187 is an accuracy command that can set and control both the smoothness and max corner rounding value when cutting a part. The format for using G187 is G187 Pn Ennnn.

P - Controls the smoothness level, P1(rough), P2(medium), or P3(finish). Temporarily overrides Setting 191.

E - Sets the max corner rounding value. Temporarily overrides Setting 85.

Setting 191 sets the default smoothness to the user specified **ROUGH**, **MEDIUM**, or **FINISH** when G187 is not active. The **Medium** setting is the factory default setting.



NOTE:

Changing Setting 85 to a low value may make the machine operate as if it is in exact stop mode.



NOTE:

*Changing setting 191 to **FINISH** will take longer to machine a part. Use this setting only when needed for the best finish.*

G187 Pm Ennnn sets both the smoothness and max corner rounding value. G187 Pm sets the smoothness but leaves max corner rounding value at its current value. G187 Ennnn sets the max corner rounding but leaves smoothness at its current value. G187 by itself cancels the E value and sets smoothness to the default smoothness specified by Setting 191. G187 will be canceled whenever **[RESET]** is pressed, M30 or M02 is executed, the end of program is reached, or **[EMERGENCY STOP]** is pressed.

G234 Tool Center Point Control (TCPC) (Group 08)

G234 Tool Center Point Control (TCPC) lets a machine correctly run a contouring 4- or 5-axis program when the workpiece is not located in the exact location specified by the CAM-generated program. This eliminates the need to repost a program from the CAM system when the programmed and the actual workpiece locations are different.

VR/GM-2-5AX - G234 - Tool Center Point Control (TCPC)

G234 Tool Center Point Control (TCPC) is a software feature in the Haas CNC control that allows a machine to correctly run a contouring 4- or 5-axis program when the workpiece is not located in the exact location specified by a CAM-generated program.

This eliminates the need to repost a program from the CAM system when the programmed and the actual workpiece locations are different. The Haas CNC control combines the known centers of rotation for the rotary axes (MRZP) and the location of the workpiece (e.g., active work offset G54) into a coordinate system.

TCPC makes sure that this coordinate system remains fixed relative to the table; when the rotary axes rotate, the linear coordinate system rotates with them. Like any other work setup, the workpiece must have a work offset applied to it. This tells the Haas CNC control where the workpiece is located on the machine table.

TCPC is activated with G234. G234 cancels the previous H-code. An H-code must therefore be placed on the same block as G234. G234 is canceled by G49, G42, and G44.



NOTE:

The rotary axes must be at 0 before commanding G234.

TCPC G-code is programmed from the tool tip. The control knows the centers of rotation for the rotary axes (MRZP), the location of the workpiece (active work offset), and the tool length offset. The control uses this data to calculate the position of tool tip relative to the active work offset and maintains a static tool tip position through rotary feed moves.



NOTE:

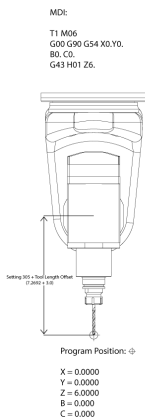
Tool tip position is not maintained during rapid rotary moves. Do not program rapid moves while TCPC is active.

The diagram below illustrates TCPC positioning.

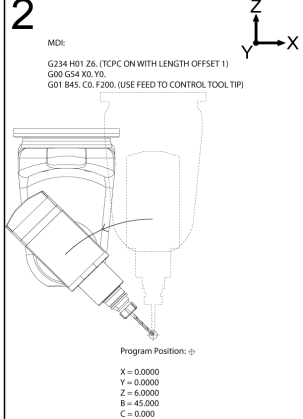
F7.46:

GM-2-5AX TCPC

1



2



TCPC Program Example



NOTE:

When starting TCPC it is safest to establish a new XYZ using a rapid move. The example below has a rapid G00 XYZ move after the G234 H code.

```

%
O00003 (TCPC SAMPLE);
G20;
G00 G17 G40 G80 G90 G94 G98;
G53 Z0.;
T1 M06;
G00 G90 G54 B0. C0. (POSITION ROTARY AXES);
G00 G90 X-0.9762 Y1.9704 S10000 M03 (POSITION LINEAR AXES);
G234 H01(TCPC ON WITH LENGTH OFFSET 1);
G00 X-0.9762 Y1.9704;
G00 Z1.0;
G01 X-0.5688 Y1.1481 Z0.2391 B43.421 C115.162 F40.;
X-0.4386 Y0.8854 Z-0.033 B43.421 C116.576;
X-0.3085 Y0.6227 Z-0.3051 B45.421 C116.654;
X-0.307 Y0.6189 Z-0.3009 B46.784 C116.382;
X-0.3055 Y0.6152 Z-0.2966 B46.43 C116.411;
X-0.304 Y0.6114 Z-0.2924 B46.076 C116.44;
X-0.6202 Y0.5827 Z-0.5321 B63.846 C136.786;
X-0.6194 Y0.5798 Z-0.5271 B63.504 C136.891;
X-0.8807 Y0.8245 Z-0.3486;
X-1.1421 Y1.0691 Z-0.1701;
X-1.9601 Y1.8348 Z0.3884G49 (TCPC OFF);
G00 G53 Z0.;
G53 B0. C0.;
G53 Y0.;
M30;
%
```

UMC - G234 - Tool Center Point Control (TCPC) (Group 08)

G234 Tool Center Point Control (TCPC) is a software feature in the Haas CNC control that allows a machine to correctly run a contouring 4- or 5-axis program when the workpiece is not located in the exact location specified by a CAM-generated program. This eliminates the need to repost a program from the CAM system when the programmed and the actual workpiece locations are different.

The Haas CNC control combines the known centers of rotation for the rotary table (MRZP) and the location of the workpiece (e.g., active work offset G54) into a coordinate system. TCPC makes sure that this coordinate system remains fixed relative to the table; when the rotary axes rotate, the linear coordinate system rotates with them. Like any other work setup, the workpiece must have a work offset applied to it. This tells the Haas CNC control where the workpiece is located on the machine table.

The conceptual example and illustrations in this section represent a line segment from a full 4- or 5-axis program.

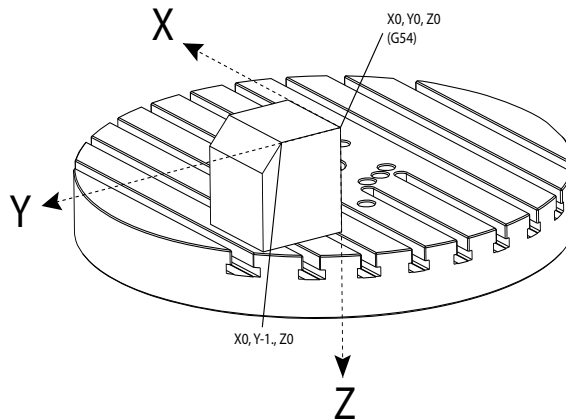


NOTE:

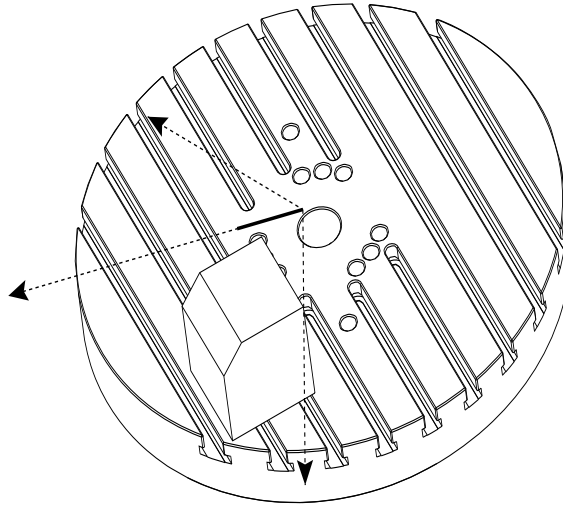
For clarity, the illustrations in this section do not depict workholding. Also, as conceptual, representative drawings, they are not to scale and may not depict the exact axis motion described in the text.

The straight line edge highlighted in Figure **F7.47** is defined by point (X_0, Y_0, Z_0) and point (X_0, Y_{-1}, Z_0) . Movement along the Y Axis is all that is required for the machine to create this edge. The location of the workpiece is defined by work offset G54.

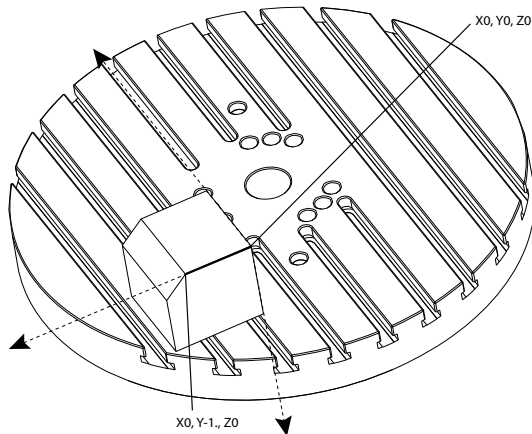
F7.47: Location of Workpiece Defined by G54



In Figure **F7.48**, the B and C Axes have been rotated 15 degrees each. To create the same edge, the machine needs to make an interpolated move with the X, Y, and Z Axes. Without TCPC, you would need to repost the CAM program for the machine to correctly create this edge.

F7.48: G234 (TCPC) Off and the B and C Axes Rotated

TCPC is invoked in Figure **F7.49**. The Haas CNC control knows the centers of rotation for the rotary table (MRZP), and the location of the workpiece (active work offset G54). This data is used to produce the desired machine motion from the original CAM-generated program. The machine follows an interpolated X-Y-Z path to create this edge, even though the program simply commands a single-axis move along the Y Axis.

F7.49: G234 (TCPC) On and the B and C Axes Rotated**G234 Programmer's Notes**

These key presses and program codes cancel G234:

- **[EMERGENCY STOP]**
- **[RESET]**

- **[HANDLE JOG]**
- **[LIST PROGRAM]**
- M02 – Program End
- M30 – Program End and Reset
- G43 – Tool Length Compensation +
- G44 – Tool Length Compensation -
- G49 – G43 / G44 / G143 Cancel

These codes will NOT cancel G234:

- M00 – Program Stop
- M01 – Optional Stop

These key presses and program codes impact G234:

- G234 invokes TCPC and cancels G43.
- When using tool length compensation, either G43 or G234 must be active. G43 and G234 cannot be active at the same time.
- G234 cancels the previous H-code. An H-code must therefore be placed on the same block as G234.
- G234 cannot be used at the same time as G254 (DWO).

These codes ignore 234:

- G28 – Return to Machine Zero Through Optional Reference Point
- G29 – Move to Location Thru G29 Reference Point
- G53 – Non-Modal Machine Coordinate Selection
- M06 – Tool Change

Invoking G234 (TCPC) rotates the work envelope. If the position is close to the travel limits, the rotation can put the current work position outside of travel limits and cause an over travel alarm. To solve this, command the machine to the center of the work offset (or near the center of the table on a UMC), and then invoke G234 (TCPC).

G234 (TCPC) is intended for simultaneous 4- and 5-axis contouring programs. An active work offset (G54, G55, etc.) is required to use G234.

G253 Orient Spindle Normal To Feature Coordinate System (Group 00)

G253 is a 5 axis G-Code used to orient the spindle normal the feature coordinate system. This code can only be used while G268 is active.

```
%  
O00005 (G268 WITH G81 DRILL CANNED CYCLE) (COMMAND ANGLE WITH  
IJK BEFORE MOVING TO OFFSET);  
T1 M06 (TOOL CHANGE);  
G54 G00 G40 G80 G17 G90 (GENERAL SAFE STARTUP LINE);
```

```

X0 Y0 S1500 M03 (INITIAL XYZ LOCATION);
G43 Z06. H01 (ENACT TOOL LENGTH COMP.);
G268 X2. Y2. Z0 I0 J30. K45. Q123 (SET TILTED PLANE);
G253 (MOVE SPINDLE PERPENDICULAR TO TILTED PLANE);
G00 X0 Y0 Z.5 (MOVE TO START LOCATION);
G81 G98 R0.1 Z-1. F75.;
G80;
G269 (CANCEL TILTED PLANE);
G00 G53 Z0 M05;
G53 B0 C0;
G53 X0 Y0;
M30;
%
```

G254 Dynamic Work Offset (DWO) (Group 23)

G254 Dynamic Work Offset (DWO) is similar to TCPC, except that it is designed for use with 3+1 or 3+2 positioning, not for simultaneous 4- or 5-axis machining. If the program does not use the B and C Axes, there is no need to use DWO.

UMC - G254 - Dynamic Work Offset (DWO) (Group 23)

G254 Dynamic Work Offset (DWO) is similar to TCPC, except that it is designed for use with 3+1 or 3+2 positioning, not for simultaneous 4- or 5-axis machining. If the program does not make use of the tilt and rotary Axes, there is no need to use DWO.



CAUTION:

The B-Axis value of the work offset you use with G254 MUST be zero.

With DWO, you no longer need to set the workpiece in the exact position as programmed in the CAM system. DWO applies the appropriate offsets to account for the differences between the programmed workpiece location and the actual workpiece location. This eliminates the need to repost a program from the CAM system when the programmed and actual workpiece locations are different.

The control knows the centers of rotation for the rotary table (MRZP) and the location of the workpiece (active work offset). This data is used to produce the desired machine motion from the original CAM-generated program. Therefore, it is recommended that G254 be invoked after the desired work offset is commanded, and after any rotational command to position the 4th and 5th axes.

After G254 is invoked, you must specify an X, Y, and Z Axis position before a cutting command, even if it recalls the current position. The program should specify the X- and Y Axis position in one block and the Z Axis in a separate block.



CAUTION:

Before rotary motion, use a G53 Non-Modal Machine Coordinate motion command to safely retract the tool from the workpiece and allow clearance for the rotary motion. After the rotary motion finishes, specify an X-, Y-, and Z-Axis position before a cutting command, even if it recalls the current position. The program should specify the X- and Y-Axis position in one block and the Z-Axis position in a separate block.



CAUTION:

Be sure to cancel G254 with G255 when your program does simultaneous 4- or 5-axis machining.

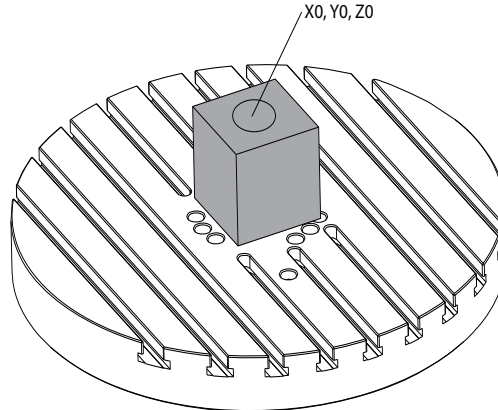


NOTE:

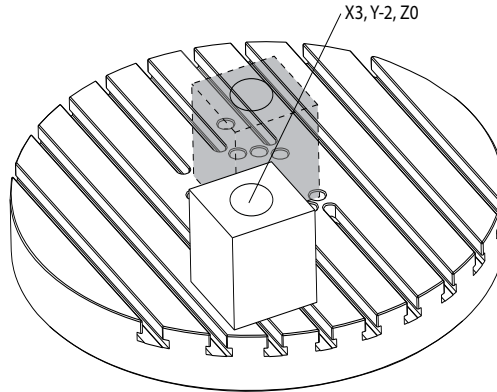
For clarity, the illustrations in this section do not depict workholding.

The block in the figure below was programmed in the CAM system with the top center hole located at the center of the pallet and defined as X0, Y0, Z0.

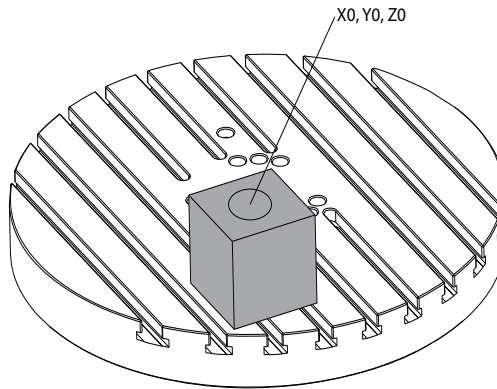
F7.50: Original Programmed Position



In the figure below, the actual workpiece is not located in this programmed position. The center of the workpiece is actually located at X3, Y-2, Z0, and is defined as G54.

F7.51: Center at G54, DWO Off

DWO is invoked in the figure below. The control knows the centers of rotation for the rotary table (MRZP), and the location of the workpiece (active work offset G54). The control uses this data to apply the appropriate offset adjustments to make sure that the proper toolpath is applied to the workpiece, as intended by the CAM-generated program. This eliminates the need to repost a program from the CAM system when the programmed and actual workpiece locations are different.

F7.52: Center with DWO On**G254 Program Example**

```

%
O00004 (DWO SAMPLE) ;
G20 ;
G00 G17 G40 G80 G90 G94 G98 ;
G53 Z0. ;
T1 M06 ;

```

```
G00 G90 G54 X0. Y0. B0. C0. (G54 is the active work offset
for) ;
(the actual workpiece location) ;
S1000 M03 ;
G43 H01 Z1. (Start position 1.0 above face of part Z0.) ;
G01 Z-1.0 F20. (Feed into part 1.0) ;
G00 G53 Z0. (Retract Z with G53) ;
B90. C0. (ROTARY POSITIONING) ;
G254 (INVOKE DWO) ;
X1. Y0. (X and Y position command) ;
Z2. (Start position 1.0 above face of part Z1.0) ;
G01 Z0. F20. (Feed into part 1.0 ) ;
G00 G53 Z0. (Retract Z with G53) ;
B90. C-90. (ROTARY POSITIONING) ;
X1. Y0. (X and Y position command) ;
Z2. (Start position 1.0 above face of part Z1.0) ;
G01 Z0. F20. (Feed into part 1.0 ) ;
G255 (CANCEL DWO) ;
B0. C0. ;
M30 ;
%
```

G254 Programmer's Notes

These key presses and program codes will cancel G254:

- **[EMERGENCY STOP]**
- **[RESET]**
- **[HANDLE JOG]**
- **[LIST PROGRAM]**
- G255 – Cancel DWO
- M02 – Program End
- M30 – Program End and Reset

These codes will NOT cancel G254:

- M00 – Program Stop
- M01 – Optional Stop

Some codes ignore G254. These codes will not apply rotational deltas:

- *G28 – Return to Machine Zero Through Optional Reference Point
- *G29 – Move to Location Through G29 Reference Point
- G53 – Non-Modal Machine Coordinate Selection
- M06 – Tool Change

*It is strongly recommended that you not use G28 or G29 while G254 is active, nor when the B and C Axes are not at zero.

1. G254 (DWO) is intended for 3+1 and 3+2 machining, where the B and C Axes are used to position only.
2. An active work offset (G54, G55, etc.) must be applied before G254 is commanded.
3. All rotary motion must be complete before G254 is commanded.
4. After G254 is invoked, you must specify an X-, Y-, and Z-Axis position prior to any cutting command, even if it recalls the current position. It is recommended to specify the X and Y Axes in one block, and the Z Axis in a separate block.
5. Cancel G254 with G255 immediately after use and before ANY rotary motion.
6. Cancel G254 with G255 any time simultaneous 4- or 5-axis machining is performed.
7. Cancel G254 with G255 and retract the cutting tool to a safe location before the workpiece is repositioned.

G255 Cancel Dynamic Work Offset (DWO) (Group 23)

G255 cancels G254 Dynamic Work Offset (DWO).

G266 Visible Axes Linear Rapid %Motion (Group 00)

E - Rapid rate.

P - Axis parameter number. Example P1 = X, P2 = Y, P3 = Z.

I - Machine coordinate position command.

The below example commands the X-axis to move to X-1. at 10% rapid rate.

```

%
G266 E10. P1 I-1. (RAPID AXIS #1, X, AT 10%, TO MACHINE
POSITION -1.0)
%
```

G268 / G269 Feature Coordinate System (Group 14)

X - Feature coordinate system origin X coordinate in the WCS.

Y - Feature coordinate system origin Y coordinate in the WCS.

Z - Feature coordinate system origin Z coordinate in the WCS.

***I** - Rotation of feature coordinate system about working coordinate system X axis.

***J** - Rotation of feature coordinate system about working coordinate system Y axis.

***K** - Rotation of feature coordinate system about working coordinate system Z axis.

***Q** - Q_{nnn} is used to define the order in which the I,J,K rotations will be applied. The default value used if Q is omitted, Q321 rotates about Z, then Y, then X. Q123 rotates about X, then Y, then Z.

* indicates optional


```

G00 B30. C45. (SET SPINDLE ANGLE);
G43 Z6. H01 (ENACT TOOL LENGTH COMP.);
G268 X2. Y2. Z0 (SET TILTED PLANE);
G00 X0 Y0 Z.5 (RECALL POSITION);
G81 G98 R0.1 Z-1. F75.;
G80;
G269 (CANCEL TILTED PLANE);
G00 G53 Z0 M05;
G53 B0 C0;
G53 X0 Y0;
M30;
%
```

The second way to define a feature coordinate system using G268 is to use the optional I, J, K, and Q address codes to specify rotation angles relative to the WCS and rotation order. By using this method, a feature coordinate system that is not normal to the spindle axis may be defined.

```

%
O00002 (G268 WITH G81 DRILL CANNED CYCLE) (COMMAND ANGLE WITH
IJK & Q);
T1 M06 (TOOL CHANGE);
G54 G00 G40 G80 G17 G90 (GENERAL SAFE STARTUP LINE);
X0 Y0 S1500 M03 (INITIAL XYZ LOCATION);
G00 B30. C45. (SET SPINDLE ANGLE);
G43 Z06. H01 (ENACT TOOL LENGTH COMP.);
G268 X2. Y2. Z0 I0 J30. K45. Q123 (SET TILTED PLANE);
G00 X0 Y0 Z.5 (RECALL POSITION);
G81 G98 R0.1 Z-1. F75.;
G80;
G269 (CANCEL TILTED PLANE);
G00 G53 Z0 M05;
G53 B0 C0;
G53 X0 Y0;
M30;
%
```

G281 Enable / G280 Disable Safe Run (Group 00)

G281 and G280 allow safe run to be turned off and on with G codes. G281 turns safe run on and G280 turns safe run off.

More Information Online

For updated information, including tips, tricks, maintenance procedures, and more, visit the Haas Service page at www.HaasCNC.com.

For the most current Operator's and Service Manuals scan the code below with your mobile device:



Chapter 8: M-codes

8.1 Introduction

This chapter gives detailed descriptions of the M-codes that you use to program your machine.

For the most current M-code information scan the code below with your mobile device.

F8.1: Mill - M-Codes Guide



8.1.1 List of M-codes

This chapter gives detailed descriptions of the M-codes that you use to program your machine.



CAUTION:

The sample programs in this manual have been tested for accuracy, but they are for illustrative purposes only. The programs do not define tools, offsets, or materials. They do not describe workholding or other fixturing. If you choose to run a sample program on your machine, do so in Graphics mode. Always follow safe machining practices when you run an unfamiliar program.



NOTE:

The sample programs in this manual represent a very conservative programming style. The samples are intended to demonstrate safe and reliable programs, and they are not necessarily the fastest or most efficient way to operate a machine. The sample programs use G-codes that you might choose not to use in more efficient programs.

M-codes are miscellaneous machine commands that do not command axis motion. The format for an M-code is the letter M followed by two to three digits; for example M03.

Only one M-code is allowed per line of code. All M-codes take effect at the end of the block.

Setting	Description	Page
M00	Stop Program	412
M01	Optional Program Stop	412
M02	Program End	413
M03	Spindle Commands	413
M04	Spindle Commands	413
M05	Spindle Commands	413
M06	Tool Change	413
M07	Shower Coolant On	414
M08 / M09	Coolant On / Off	414
M10 / M11	Engage / Release 4th Axis Brake	415
M12 / M13	Engage / Release 5th Axis Brake	415
M16	Tool Change	415
M19	Orient Spindle	415
M21–M25	Optional User M Function with M-Fin	416
M29	Set Output Relay with M-Fin	418
M30	Program End and Reset	418
M31	Chip Conveyor Forward	418
M33	Chip Conveyor Stop	418
M34	Coolant Increment	418
M35	Coolant Decrement	418
M36	Pallet Part Ready	419
M39	Rotate Tool Turret	420

Setting	Description	Page
M41 / M42	Low / High Gear Override	420
M46	Qn Pmm Jump to Line	420
M48	Validate That The Current Program is Appropriate for Loaded Pallet	420
M50	Pallet Change Sequence	420
M51-M55	Set Optional User M-codes	421
M59	Set Output Relay	421
M61-M65	Clear Optional User M-codes	422
M69	Clear Output Relay	422
M70/M71	Workholding Clamp / Unclamp	422
M73 / M74	Tool Air Blast (TAB) On / Off	423
M75	Set G35 or G136 Reference Point	423
M78	Alarm if Skip Signal Found	423
M79	Alarm if Skip Signal Not Found	424
M80 / M81	Auto Door Open / Close	424
M82	Tool Unclamp	424
M83 / M84	Auto Air Gun On / Off	424
M86	Tool Clamp	424
M88 / M89	Through-Spindle Coolant On / Off	425
M90 / M91	Fixture Clamp Input On / Off	425
M95	Sleep Mode	426
M96	Jump If No Input	426
M97	Local Sub-Program Call	427
M98	Sub-Program Call	428

Setting	Description	Page
M99	Sub-Program Return or Loop	429
M104 / M105	Probe Arm Extend/ Retract	430
M109	Interactive User Input	430
M116 / M117	Vise Air Chips Blast ON/OFF	432
M130 / M131	Display Media / Cancel Display Media	432
M138 / M139	Spindle Speed Variation On/Off	434
M158 / M159	Mist Condenser On/Off	435
M160	Cancel Active PulseJet	435
M161 Pnn	PulseJet Continuous Mode	435
M162 Pnn	PulseJet Single Event Mode	435
M163 Pnn	PulseJet Modal Mode	436
M180 / M181	Automatic Window Open/Close	437
M183/M184	Auto Air Hole Blast On/OFF	437
M199	Pallet / Part Load or Program End	437
M300	M300 - APL/Robot Custom Sequence	437

M00 Stop Program

The M00 code stops a program. It stops the axes, spindle, and turns off the coolant (including optional Through Spindle Coolant, Through Tool Air Blast, and Auto Air Gun / Minimum Quantity Lubrication). The next block after the M00 is highlighted when viewed in the program editor. Press **[CYCLE START]** to continue program operation from the highlighted block.

M01 Optional Program Stop

M01 works the same as M00, except the optional stop feature must be on. Press **[OPTION STOP]** to toggle the feature on and off.

M02 Program End

M02 ends a program.



NOTE:

The most common way of ending a program is with an M30.

M03 Spindle Fwd / M04 Spindle Rev / M05 Spindle Stop

M03 turns the spindle on in the forward direction.

M04 turns the spindle on in the reverse direction.

M05 stops the spindle, and waits for it to stop.

Spindle speed is controlled with an S address code; for example, S5000 commands a spindle speed of 5000 RPM.

If your machine has a gearbox, the spindle speed you program determines the gear that the machine uses, unless you use M41 or M42 to override gear selection. Refer to page 420 for more information on the gear select override M-codes.



NOTE:



NOTE:

M06 Tool Change

T - Tool number

The M06 code is used to change tools. For example, M06 T12 puts tool 12 into the spindle. If the spindle is running, the spindle and coolant (including TSC) is stopped by the M06 command.



NOTE:

The M06 command automatically stops the spindle, stops coolant, moves the Z Axis to the tool change position, and orients the spindle for the tool change. You do not need to include these commands for a tool change in your program.

**NOTE:**

M00, M01, any work offset G-code (G54, etc.), and block delete slashes before a tool change stop look-ahead, and the control does not pre-call the next tool to the change position (for a side-mount tool changer only). This can cause significant delays to program execution, because the control must wait for the tool to arrive at the change position before it can execute the tool change. You can command the carousel to the tool position with a T code after a tool change; for example:

```
M06 T1 (FIRST TOOL CHANGE) ;  
T2 (PRE-CALL THE NEXT TOOL) ;
```

Refer to page **150** for more information on side-mount tool changer programming.

M07 Shower Coolant On

M07 starts the optional shower coolant. M09 stops the shower coolant and also stops the standard coolant. The optional shower coolant stops automatically before a tool change or a pallet change. It automatically starts again after a tool change if it was ON before a tool change command.

**NOTE:**

Some machines use optional relays and optional M-codes to command shower coolant, such as M51 on and M61 off. Check your machine configuration for the correct M-code programming.

M08 Coolant On / M09 Coolant Off

P - M08 Pn

M08 starts the optional coolant supply and M09 stops it.

**NOTE:**

The control checks the coolant level only at the start of a program, so a low coolant condition will not stop a running program.

**CAUTION:**

Do not use straight or “neat” mineral cutting oils. They cause damage to rubber components in the machine.

The following applies to machines equipped with the Variable Flow Coolant option.

The variable flow coolant option allows the user to operate the coolant pump at different speeds to increase or decrease the flow of coolant.

An optional P-Code can be specified along with an M08 to change the speed of the coolant pump.

- M08 P0 = Low Pressure - The pump will operate at 50HZ speed.
- M08 P1 = Normal Pressure - The pump will operate at 60HZ speed.
- M08 P2 = High Pressure - The pump will operate at 80HZ speed.

**NOTE:**

If no P-Code is specified, or the specified P-Code is out of range, then normal pressure will be used.

**NOTE:**

If the machine is not equipped with a Variable Frequency Drive for the coolant pump, then the P-Code will have no effect.

M10 Engage 4th Axis Brake / M11 Release 4th Axis Brake

M10 applies the brake to the optional 4th axis and M11 releases the brake. The optional 4th axis brake is normally engaged, so the M10 command is only required when an M11 has released the brake.

M12 Engage 5th Axis Brake / M13 Release 5th Axis Brake

M12 applies the brake to the optional 5th axis and M13 releases the brake. The optional 5th axis brake is normally engaged, so the M12 command is only required when an M13 has released the brake.

M16 Tool Change

T - Tool number

This M16 behaves the same as M06. However M06 is the preferred method for commanding tool changes.

M19 Orient Spindle (Optional P and R Values)

P - Number of degrees (0 - 360)

R - Number of degrees with two decimal places (0.00 - 360.00).

M19 adjusts the spindle to a fixed position. The spindle only orients to the zero position without the optional M19 orient spindle feature. The orient spindle function allows P and R address codes. For example:

M19 P270. (orients the spindle to 270 degrees) ;

The R-value allows the programmer to specify up to two decimal places; for example:

M19 R123.45 (orients the spindle to 123.45 degrees) ;



NOTE:

The range for M19 is 0 to 360 degrees. If a negative value is given, it will be ignored and spindle will orient to 0 degrees.

M21-M25 Optional User M Function with M-Fin

M21 through M25 are for user-defined relays. Each M-code closes one of the optional relays and waits for an external M-Fin signal. **[RESET]** stops any operation waiting for a relay-activated accessory to finish. Also, refer to M51 - M55 and M61 - M65.

Only one relay is switched at a time. A typical operation is to command a rotary product. The sequence is:

1. Run the machining portion of a CNC part program.
2. Stop CNC motion and command a relay.
3. Wait for a finish (M-Fin) signal from the equipment.
4. Continue the CNC part program.

The M-Fin connector is at P8 on the I/O PCB. Refer to the description below for a diagram and pinouts.

M-code Relays

The M-code relays are in the lower-left corner of the I/O PCB.

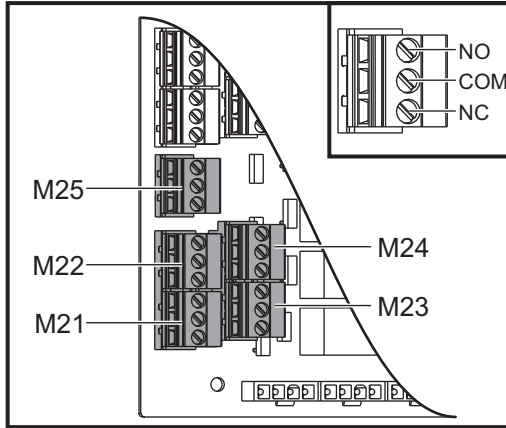


NOTE:

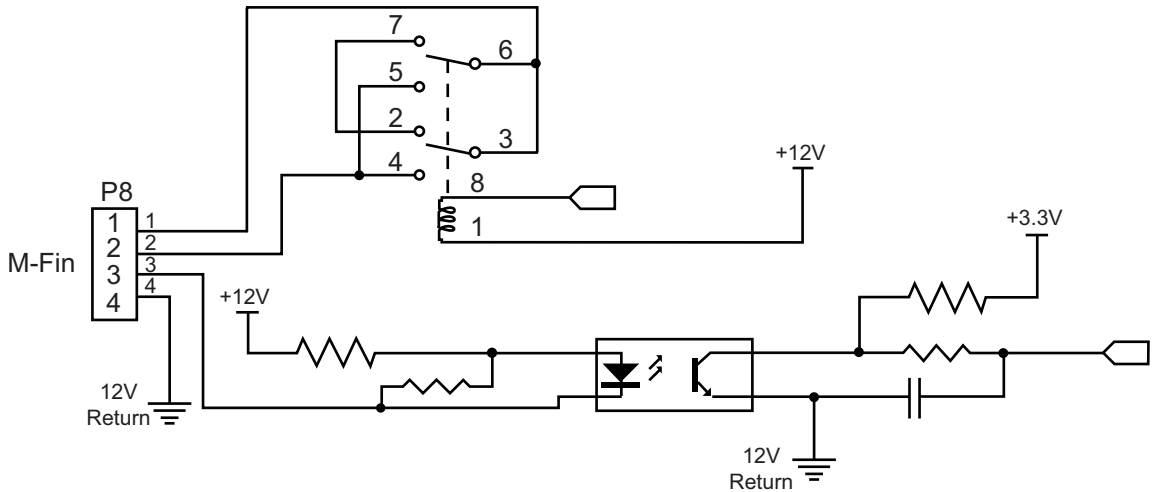
These M-Code relays are sold separately (P/N 93-2889)

These relays can activate probes, auxiliary pumps, clamping devices, etc. Connect these auxiliary devices to the terminal strip for the individual relay. The terminal strip has positions for, Normally Open (NO), Normally Closed (NC), and Common (COM).

F8.2: Main I/O PCB M-code Relays.



F8.3: M-Fin Circuit at P8 on the Main I/O PCB. Pin 3 is the M-Fin input and interacts with input number 18 in the control. Pin 1 is the M-Fin output and interacts with output number 4 on the control.



Optional 8M-code Relays

You can purchase additional M-code relays in banks of 8.

Only the outputs on the I/O PCB are addressable with M21-M25, M51-M55, and M61-M65. If you use an 8M relay bank, you must use M29, M59, and M69 with P codes to activate the relays on the bank. The P codes for the first 8M bank are P90-P97.

M29 Set Output Relay with M-Fin

P - Discrete output relay from 0 to 255.

M29 turns on a relay, pauses the program, and waits for an external M-Fin signal. When the control receives the M-Fin signal, the relay turns off and the program continues. **[RESET]** stops any operation waiting for a relay-activated accessory to finish.

M30 Program End and Reset

M30 stops a program. It also stops the spindle, turns off the coolant (including TSC), and returns the program cursor to the start of the program.



NOTE:

As of software version 100.16.000.1041, M30 no longer cancels tool length offsets.

M31 Chip Conveyor Forward / M33 Chip Conveyor Stop

M31 starts the optional chip removal system (auger, multi-auger, or belt-style conveyor) in the forward direction; the direction that moves the chips out of the machine. You should run the chip conveyor intermittently, as this allows piles of larger chips to collect smaller chips and carry them out of the machine. You can set the chip conveyor duty cycle and run time with Settings 114 and 115.

The optional conveyor coolant washdown runs while the chip conveyor is on.

M33 stops conveyor motion.

M34 Coolant Increment / M35 Coolant Decrement

P - **M34 P_{nn}** moves the P-Cool spigot to specific position away from home. **M35 P_{nn}** moves the P-Cool spigot to specific position towards home.

Example: The P-Cool spigot is at position P5 and you need to go to P10, you can use:

M34 P10

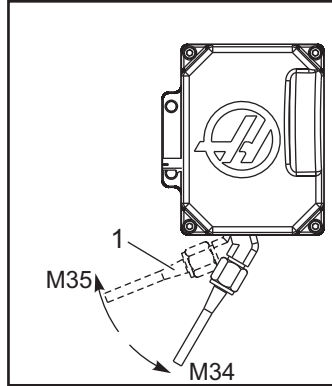
or

M35 P10



NOTE:

The P address value shall be keyed in without a decimal point.

F8.4: P-Cool Spigot

M34 moves the optional P-Cool spigot one position away from the current position (farther from home).

M35 moves the coolant spigot one position towards the home position.

**CAUTION:**

Do not rotate the coolant spigot by hand. Serious motor damage will occur.

M36 Pallet Part Ready

Used on machines with pallet changers. M36 delays the pallet change until **[PART READY]** is pushed. A pallet change occurs after **[PART READY]** is pushed and the doors are closed. For example:

```

%
Onnnnn (program number) ;
M36 (Flash "Part Ready" light, wait until the button is
pressed) ;
M01 ;
M50 (Perform pallet change after [PART READY] is pushed) ;
(Part Program) ;
M30 ;
%
```

M39 Rotate Tool Turret

M39 is used to rotate the side mount tool changer without a tool change. Program the tool pocket number (T_n) before M39.

M06 is the command to change tools. M39 is normally useful for diagnostic purposes, or to recover from a tool changer crash.

M41 Low Gear Override / M42 High Gear Override

On machines with a transmission, M41 holds the machine in low gear and M42 holds the machine in high gear. Normally, the spindle speed (S_{nnnn}) determines which gear the transmission should be in.

Command M41 or M42 with the spindle speed before the spindle start command, M03. For example:

```
%  
S1200 M41 ;  
M03 ;  
%
```

The gear state reverts to default at the next spindle speed (S_{nnnn}) command. The spindle does not have to stop.

M46 Qn Pmm Jump to Line

Jump to line mm in the current program if pallet n is loaded, otherwise go to the next block.

M48 Validate That The Current Program is Appropriate for Loaded Pallet

Checks in the Pallet Schedule Table that the current program is assigned to the loaded pallet. If the current program is not in the list or the loaded pallet is incorrect for the program, an alarm is generated. M48 can be in a program listed in the PST, but never in a subroutine of the PST program. An alarm will occur if M48 is incorrectly nested.

M50 Pallet Change Sequence

*P - Pallet number

*indicates optional

This M-code is used to call a pallet change sequence. An M50 with a P command will call a specific pallet. M50 P3 will change to pallet 3, commonly used with Pallet Pool machines.

M50P0 is a special code used to extract a pallet without loading the next one. Use this code when you want to run a wash-down program or a spindle fan to clean the receiver before loading the next pallet while the machine is in pallet mode (M199).

M96 Jump If No Input can be used in conjunction with M50P0 to skip the wash-down program if your are not in pallet mode. Refer to the M96 help text for more information on how to program a wash-down cycle to clean the receiver.

M51-M56 Turn On Built-In M-code Relay

The M51 through M56 codes are built-in M-Code relays. They activate one of the relays and leave it active. Use M61-M66 to turn these off. [RESET] turns off all of these relays.

Refer to M21 through M26 on page 416 for details on the M-code relays with M-Fin.

M59 Turn On Output Relay

P - Discrete output relay number.

M59 turns on a discrete output relay. An example of its usage is M59 Pnnn, where nnn is the relay number being turned on.

When using Macros, M59 P90 does the same thing as using the optional macro command #12090=1, except that it is processed at the end of the line of code.

Built-In M-Code Relays	8M PCB Relay Bank 1 (JP1)	8M PCB Relay Bank 2 (JP2)	8M PCB Relay Bank 3 (JP3)
P114 (M21)	P90	P103	P79
P115 (M22)	P91	P104	P80
P116 (M23)	P92	P105	P81
P113 (M24)	P93	P106	P82
P112 (M25)	P94	P107	P83
P4 (M26)	P95	P108	P84
-	P96	P109	P85
-	P97	P110	P86

M61-M66 Turn Off Built-In M-code Relay

M61 through M65 are optional and turn off one of the relays. The M number corresponds to M51 through M55 that turned on the relay. [RESET] turns off all of these relays. Refer to M21-M25 on page 416 for details on the M-code relays.

M69 Turn Off Output Relay

P - Discrete output relay number from 0 to 255.

M69 turns off a relay. An example of its usage is M69 P12nnn, where nnn is the number of the relay being turned off.

When using Macros, M69 P12003 does the same thing as using the optional macro command #12003=0, except that it is processed in the same order as axis motion.

Built-In M-Code Relays	8M PCB Relay Bank 1 (JP1)	8M PCB Relay Bank 2 (JP2)	8M PCB Relay Bank 3 (JP3)
P114 (M21)	P90	P103	P79
P115 (M22)	P91	P104	P80
P116 (M23)	P92	P105	P81
P113 (M24)	P93	P106	P82
P112 (M25)	P94	P107	P83
P4 (M26)	P95	P108	P84
-	P96	P109	P85
-	P97	P110	P86

M70 Workholding Clamp / M71 Workholding Unclamp

Use M70/M71 to clamp or unclamp the vises setup on the workholding page.

P - The P code defines the vise number. The range is P1 - 8.

Q - The Q code enables or disables the vise unclamp check when commanding the spindle.

Q = 0 or not specified: Enable Unclamp Check. Q = 1: Disable Unclamp Check.

Example: M70 P1 clamps Vise 1 and M71 P1 unclamps it.

Example: M71 P1 Q1 disables the unclamp check for Vise 1.

**NOTE:**

The Vise Safety Check will be restored after Power Cycle, Program End(M02,M30), End of Program, Alarms, Reset is pressed, or workholding commands.

**NOTE:**

The system will default to Vise 1, if no P-Code is specified with M70 or M71.

**NOTE:**

This M code is not affected by the status of setting 389. See table below for more details.

Setting 389	M71 Q-Code	Message on Cycle start	Alarm 9938.001 when is commanded Spindle
Off	Q0	No	Yes
Off	Q1	No	No
On	Q0	Yes	Yes
On	Q1	Yes	No

M73 Tool Air Blast (TAB) On / M74 Tool Air Blast Off

These M-codes control the Tool Air Blast (TAB) option. M73 turns on TAB, and M74 turns it off.

M75 Set G35 or G136 Reference Point

This code is used to set the reference point for G35 and G136 commands. It must be used after a probing function.

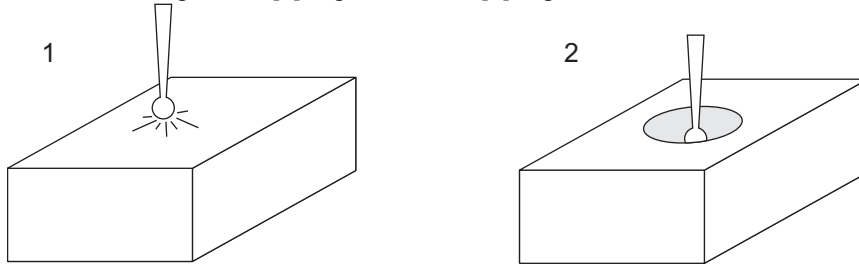
M78 Alarm if Skip Signal Found

M78 is used with a probe. An M78 generates an alarm if a programmed skip function (G31, G36 or G37) receives a signal from the probe. This is used when a skip signal is not expected, and may indicate a probe crash. This code can be placed on the same line as the skip G-code or in any block after.

M79 Alarm if Skip Signal Not Found

M79 is used with a probe. An M79 generates an alarm if a programmed skip function (G31, G36, or G37) did not receive a signal from the probe. This is used when the lack of the skip signal means a probe positioning error. This code can be placed on the same line as the skip G-code or in any block after.

F8.5: Probe Positioning Error: [1] Signal Found. [2] Signal not Found.



M80 Auto Door Open / M81 Auto Door Close

M80 opens the Auto Door and M81 closes it. The control pendant beeps while the door is in motion.



NOTE:

The M-codes work only while the machine receives a cell-safe signal from a robot or if it has a light curtain installed. For more information refer to Robot Integration Aid - NGC reference document.

M82 Tool Unclamp

M82 is used to release the tool from the spindle. It is used as a maintenance/test function only. Tool changes should be done using an M06.

M83 Auto Air Gun On / M84 Auto Air Gun Off

M83 turns the Auto Air Gun (AAG) option on, and M84 turns it off. M83 with a Pnnn argument (where nnn is in milliseconds) turns the AAG on for the specified time, then turns it off. You can also press [SHIFT] and then [COOLANT] to turn on the AAG manually.

M86 Tool Clamp

M86 clamps a tool into the spindle. It is used as a maintenance/test function only. Tool changes should be done using an M06.

M88 Through-Spindle Coolant On / M89 Through-Spindle Coolant Off

M88 turns on through-spindle coolant (TSC), and M89 turns off TSC.

The control automatically stops the spindle before it executes M88 or M89. The control does not automatically start the spindle again after M89. If your program continues with the same tool after an M89 command, be sure to add a spindle speed command before further motion.



CAUTION:

You must use proper tooling, with a through-hole, when you use the TSC system. Failure to use proper tooling can flood the spindle head with coolant and void the warranty.

Sample Program



NOTE:

The M88 command should be before the spindle speed command. If you command M88 after the spindle speed command, the spindle starts, then stops, turns on TSC, and then starts again.

```

%
T1 M6 (TSC Coolant Through Drill) ;
G90 G54 G00 X0 Y0 ;
G43 H01 Z.5 ;
M88 (Turn TSC on) ;
S4400 M3 ;
G81 Z-2.25 F44. R.1 ;
M89 G80 (Turn TSC off) ;
G91 G28 Z0 ;
G90 ;
M30 ;
%
```

M90 Fixture Clamp Input ON / M91 Fixture Clamp Input OFF

The M90 M-code enables fixture clamp input monitoring when setting 276 has a valid input number greater than 0. If variable #709 = 1 and the spindle is commanded on, the machine will generate alarm: 973 Fixture Clamp Incomplete.

The M91 M-code disables the fixture clamp input monitoring.

M95 Sleep Mode

Sleep mode is a long dwell. The format of the M95 command is: M95 (hh:mm).

The comment immediately following M95 must contain the duration, in hours and minutes, that you want the machine to sleep. For example, if the current time were 6 p.m. and you want the machine to sleep until 6:30 a.m. the next day, command M95 (12:30). The line(s) after M95 should be axis moves and spindle warm-up commands.

M96 Jump If No Input

P - Program block to go to when conditional test is met

Q - Discrete input variable to test (0 to 255)

R - A certain mechanism mode. R1 is for PP mode and R2 is for APL mode.

M96 is used to test a discrete input for 0 (off) and certain mechanisms status. Using the M96 with the Q code is useful for checking the status of automatic work holding or other accessories that generate a signal for the control. The Q value must be in the range 0 to 255, which corresponds to the inputs found on the diagnostic display I/O tab. When this program block is executed and the input signal specified by Q has a value of 0, the program block Pnnnn is performed (the Nnnnn that matches the Pnnnn line must be in the same program).

The M96 sample program uses input #18 M-FIN INPUT

Example:

```
%
O00096(SAMPLE PROGRAM FOR M96 JUMP IF NO INPUT) ;
(IF M-FIN INPUT #18 IS EQUAL TO 1 THE PROGRAM WILL JUMP TO
N100) ;
(AFTER JUMPING TO N100 THE CONTROL ALARMS OUT WITH A MESSAGE)
;
(M-FIN INPUT=1) ;
(IF M-FIN INPUT #18 IS EQUAL TO 0 THE PROGRAM JUMPS TO N10) ;
(AFTER JUMPING TO N10 THE CONTROL DWELLS FOR 1 SECOND THEN
JUMPS TO N5) ;
(THE PROGRAM CONTINUES THIS LOOP UNTIL INPUT #18 IS EQUAL TO
1) ;

G103 P1 ;
... ;
... ;
N5 M96 P10 Q18(JUMP TO N10 IF M-FIN INPUT #18 = 0) ;
... ;
M99 P100(JUMP TO N100) ;
N10 ;
```



```

G04 P1. (DWELL FOR 1 SECOND) ;
M99 P5 (JUMP TO N5) ;
... ;
N100 ;
#3000= 10 (M-FIN INPUT=1) ;
M30 ;
... ;
%
```

Using the M96 with the R code allows user to run a G/M-code program after M96 R1 which will check if the pallet mode is ON to perform a certain function for example a wash cycle program. This is useful on a pallet pool machine if you want to clean the receiver before loading the next pallet while the machine is in pallet mode.

The following program is an example on how to use the M96 with a R code to run a wash cycle if the machine is in pallet mode.

```

O00097 (SAMPLE PROGRAM FOR M96 R1 JUMP IF PP MODE IS NOT ON) ;
;
;
(MACHINE OPERATIONS) ;
;
;
N5 M96 P100 R1 (CHECK PALLET SCHEDULE - JUMP TO N100 IF NOT
IN PALLET MODE) ;
;
M50P0 (UNLOAD PALLET FROM MACHINE) ;
;
;
(G/M CODE BLOCKS FOR PALLET POOL WASH CYCLE - AS EXAMPLE) ;
;
;
N100M199 (LOAD NEXT PALLET IF IN PALLET MODE, OTHERWISE M30) ;
%
```

M97 Local Subprogram Call

P - Program line number to go to when conditional test is met

L - Repeats subprogram call (1-99) times.

M97 is used to call a subprogram referenced by a line number (N) within the same program. A code is required and must match a line number within the same program. This is useful for simple subprograms within a program; does not require a separate program. The subprogram must end with an M99. Lnn code in the M97 block repeats the subprogram call nn times.



NOTE:

The subprogram is within the body of the main program, placed after the M30.

M97 Example:

```
%  
O00001 ;  
M97 P100 L4 (CALLS N100 SUBPROGRAM) ;  
M30 ;  
N100 (SUBPROGRAM) ; ;  
M00 ;  
M99 (RETURNS TO MAIN PROGRAM) ;  
%
```

M98 Subprogram Call

P - The subprogram number to run

L - Repeats the subprogram call (1-99) times.

<PATH> - The Subprogram's directory path

M98 calls a subprogram in the format M98 Pnnnn, where Pnnnn is the number of the program to call, or M98 (<path>/Onnnnn), where <path> is the device path that leads to the subprogram.



NOTE:

The file path is case sensitive.

The subprogram must contain an M99 to return to the main program. You can add an Lnn count to the M98 block M98 to call the subprogram nn times before continuing to the next block.

When your program calls an M98 subprogram, the control looks for the subprogram in the main program's directory. If the control cannot find the subprogram, it then looks in the location specified in Setting 251. Refer to page **220** for more information. An alarm occurs if the control cannot find the subprogram.

M98 Example:

The subprogram is a separate program (O00100) from the main program (O00002).

```
%  
O00002 (PROGRAM NUMBER CALL) ;  
M98 P100 L4 (CALLS O00100 SUB 4 TIMES) ;
```

```

M30 ;
%
%
O00100 (SUBPROGRAM) ;
M00 ;
M99 (RETURN TO MAIN PROGRAM) ;
%

%
O00002 (PATH CALL) ;
M98 (USB0/O00001.nc) L4 (CALLS O00100 SUB 4 TIMES) ;
M30 ;
%
%
O00100 (SUBPROGRAM) ;
M00 ;
M99 (RETURN TO MAIN PROGRAM) ;
%
```

M99 Subprogram Return or Loop

P - Program line number to go to when conditional test is met

M99 has three main uses:

- M99 is used at the end of a subprogram, local subprogram, or macro to return back to the main program.
- An M99 Pnn jumps the program to the corresponding Nnn in the program.
- An M99 in the main program causes the program to loop back to the beginning and execute until **[RESET]** is pressed.

	Haas
calling program:	O0001 ;
	...
	N50 M98 P2 ;

	Haas
	N51 M99 P100 ;
	...
	N100 (continue here) ;
	...
	M30 ;
subprogram:	O0002 ;
	M99 ;

M99 jumps to a specific block with or with out the macro option.

M104 / M105 Probe Arm Extend/Retract (Optional)

The optional tool setting probe arm is extended and retracted using these M-codes.

M109 Interactive User Input

P - A number in the range (500-549 or 10500-10549) representing the macro variable of the same name.

M109 lets a G-code program place a short prompt (message) on the screen. You must use a P code to specify macro variable in the range 500-549 or 10500 through 10549. The program can check for any character that can be entered from the keyboard by comparing with the decimal equivalent of the ASCII character (G47, Text Engraving, has a list of ASCII characters).



NOTE:

Macro Variables 540-599 and 10549-10599 are reserved for the WIPS (probe) option. If your machine is equipped with WIPS only use P500-539 or P10500-10599.

The following sample program asks the user a Yes or No question, then waits for either a Y or an N to be entered. All other characters are ignored.

```

%
O61091 (M109 INTERACTIVE USER INPUT) ;
(This program has no axis movement) ;
N1 #10501= 0. (Clear the variable) ;
N5 M109 P10501 (Sleep 1 min?) ;
IF [ #10501 EQ 0. ] GOTO5 (Wait for a key) ;
IF [ #10501 EQ 89. ] GOTO10 (Y) ;
IF [ #10501 EQ 78. ] GOTO20 (N) ;
GOTO1 (Keep checking) ;
N10 (A Y was entered) ;
M95 (00:01) ;
GOTO30 ;
N20 (An N was entered) ;
G04 P1. (Do nothing for 1 second) ;
N30 (Stop) ;
M30 ;
%
```

The following sample program asks the user to select a number, then wait for a 1, 2, 3, 4 or a 5 to be entered; all other characters are ignored.

```

%
O00065 (M109 INTERACTIVE USER INPUT 2) ;
(This program has no axis movement) ;
N1 #10501= 0 (Clear Variable #10501) ;
(Variable #10501 will be checked) ;
(Operator enters one of the following selections);
N5 M109 P10501 (1,2,3,4,5) ;
IF [ #10501 EQ 0 ] GOTO5 ;
(Wait for keyboard entry loop until entry) ;
(Decimal equivalent from 49-53 represent 1-5) ;
IF [ #10501 EQ 49 ] GOTO10 (1 was entered go to N10) ;
IF [ #10501 EQ 50 ] GOTO20 (2 was entered go to N20) ;
IF [ #10501 EQ 51 ] GOTO30 (3 was entered go to N30) ;
IF [ #10501 EQ 52 ] GOTO40 (4 was entered go to N40) ;
IF [ #10501 EQ 53 ] GOTO50 (5 was entered go to N50) ;
GOTO1 (Keep checking for user input loop until found) ;
N10 ;
(If 1 was entered run this sub-routine) ;
(Go to sleep for 10 minutes) ;
#3006= 25 (Cycle start sleeps for 10 minutes) ;
M95 (00:10) ;
```

```
GOTO100 ;
N20 ;
(If 2 was entered run this sub routine) ;
(Programmed message) ;
#3006= 25 (Programmed message cycle start) ;
GOTO100 ;
N30 ;
(If 3 was entered run this sub routine) ;
(Run sub program 20) ;
#3006= 25 (Cycle start program 20 will run) ;
G65 P20 (Call sub-program 20) ;
GOTO100 ;
N40 ;
(If 4 was entered run this sub routine) ;
(Run sub program 22) ;
#3006= 25 (Cycle start program 22 will be run) ;
M98 P22 (Call sub program 22) ;
GOTO100 ;
N50 ;
(If 5 was entered run this sub-routine) ;
(Programmed message) ;
#3006= 25 (Reset or cycle start will turn power off) ;
#12006= 1 ;
N100 ;
M30 (End Program);
%
```

M116 Vise Air Chips Blast On / M117 Vise Air Chips Blast Off

M116 turns the Vise Air Chips Blast option on, and M117 turns it off.

M130 Display Media / M131 Cancel Display Media

M130 Lets you display video and still images during program execution. Some examples of how you can use this feature are:

- Providing visual cues or work instructions during program operation
- Providing images to aid part inspection at certain points in a program
- Demonstrating procedures with video

The correct command format is M130 (*file.xxx*), where *file.xxx* is the name of the file, plus the path, if necessary.



NOTE:

The file path is case sensitive.

You can also add a second comment in parentheses to appear as a comment at the top of the media window.

**NOTE:**

M130 uses the subprogram search settings, Settings 251 and 252 in the same way that **M98** does. You can also use the **Insert Media File** command in the editor to easily insert an **M130** code that includes the filepath. Refer to page **183** for more information.

Permitted file formats are MP4, MOV, PNG, and JPEG.

**NOTE:**

For the fastest loading times, use files with pixel dimensions divisible by 8 (most unedited digital images have these dimensions by default), and a maximum pixel size of 1920 x 1080.

Your media appears in the Media tab under Current Commands. The media displays until the next **M130** displays a different file, or **M131** clears the media tab contents.

F8.6: Media Display Example - Work Instruction during a Program

M138 / M139 Spindle Speed Variation On/Off

Spindle Speed Variation (SSV) lets you specify a range within which the spindle speed continuously varies. This is helpful in suppressing tool chatter, which can lead to an undesirable part finish and/or damage to the cutting tool. The control varies the spindle speed based on Settings 165 and 166. For example, to vary spindle speed +/- 100 RPM from its current commanded speed with a duty cycle of 1 seconds, set Setting 165 to 100 and Setting 166 to 1.

The variation you use depends on the material, tooling, and the characteristics of your application, but 100 RPM over 1 second is a good starting point.

You can override the values of settings 165 and 166 using P and E address codes when used with M138. Where P is SSV Variation (RPM) and E is the SSV Cycle (Sec). See example below:

```
M138 P500 E1.5 (Turn SSV On, vary the speed by 500 RPM, cycle every 1.5 seconds);
```

```
M138 P500 (Turn SSV on, vary the speed by 500, cycle based on setting 166);
```

```
M138 E1.5 (Turn SSV on, vary the speed by setting 165, cycle every 1.5 seconds);
```



NOTE:

If you have an M138 Enn on one line and a G187 Enn on another line, the E codes would be unique to the line they are on. The Enn Code for the G187 would apply to G187 only and not affect the active SSV behavior.

M138 is independent of spindle commands; once commanded, it is active even when the spindle is not turning. Also, M138 remains active until canceled with M139, or at M30, Reset, or Emergency Stop.

M140 MQL On Continuous Mode / M141 MQL On Single Squirt Mode / M142 Stop MQL

M140 turns the Minimum Quantity Lubrication (MQL) option on, and M142 turns it off. M141 turns on the MQL on for the specified time, then turns it off.

M158 Mist Condenser On / M159 Mist Condenser Off

M158 turns on the Mist Condenser, and M159 turns off the Mist Condenser.



NOTE:

The mist condenser will run continuously if a program is running with axis motion.



NOTE:

An M158 in MDI will activate the mist condenser for 10 seconds, after this the mist condenser will turn OFF. If continuous operation is required the program will require feed motion of at least one axis.



NOTE:

If you want the mist condenser to remain ON, then go to CURRENT COMMANDS>DEVICES>MECHANISMS>MIST CONDENSER and press [F2] to turn it on

M160 Cancel Active PulseJet

Use M160 to cancel an active PulseJet M-code.

M161 Pulse Jet Continuous Mode

***P** - P_{nn} is the interval at which oil pulses occur (Min = 1 / Max = 99 seconds). For example P3 means there will be a pulse every 3 seconds.

*indicates optional

M161 will turn PulseJet on whenever a feed move is active in a program.

Refer to setting “369 - PulseJet Injection Cycle Time” on page 492 to set the PulseJet oil flow duty cycle.

M162 PulseJet Single Event Mode

***P** - P_{nn} is how many pulses (Min= 1 / Max= 99 squirts).

*indicates optional

M162 will turn on PulseJet for a defined number of pulses. Best used for drilling and tapping or to manually lubricate a tool.



NOTE:

M162 is a non-blocking code. Anything after the code will be executed immediately.

Refer to setting “370 - PulseJet Single Squirt Count” on page 492 to set the squirt count.

M163 PulseJet Modal Mode

***P** - P_{nn} is how many pulses for each hole (Min= 1 / Max = 99).

*indicates optional

M163 activates PulseJet to turn on during any canned drill, tap or bore cycles.



NOTE:

When a canned cycle is canceled by a method such as a G80 or a Feed. It will also cancel the M163 modal command.

M163 Program Example:

```
G90 G54 G00 G28;  
S100 M03;  
M163 P3;  
G81 F12. R-1. Z-2.;  
X-1.;  
X-2.;  
G80;  
G00 X-3.;  
G84 F12. R-1. Z-2.;  
X-4.;  
G80;  
M30;
```



NOTE:

The PulseJet M163 P3 in this program is canceled by G80 and will only run the first cycle.

Refer to setting “370 - PulseJet Single Squirt Count” on page 492 to set the squirt count.

M180 / M181 Automatic Window Open / Close

M180 opens the Auto Window and M181 closes it.



NOTE:

The M-codes work only while the machine receives a cell-safe signal from a robot or if it has a light curtain installed. For more information refer to Robot Integration Aid - NGC reference document.

M183 Auto Air Hole Blast On / M184 Auto Air Hole Blast Off

M183 turns the Hole Blast option on, and M184 turns it off. M183 with a Pnnn argument (where nnn is in seconds) turns the Hole Blast on for the specified time, then turns it off.

```
M183 P2. ;
```



NOTE:

This will turn the Hole Blaster on for 2 seconds.

The Hole Blast can also be turned on/off by going to the Mechanisms tab. Current Commands> Devices> Mechanisms.

M199 Pallet / Part Load or Program End

M199 takes the place of an M30 or M99 at the end of a program. When running in Memory or MDI mode, pressing **Cycle Start** to run the program, the M199 will behave the same as an M30. It will stop and rewind the program back to the beginning. While running in Pallet Change mode, pressing **INSERT** while on the Pallet Schedule Table to run a program, the M199 behaves the same as an M50 + M99. It will end the program, get the next scheduled pallet and associated program, then continue to run until all scheduled pallets are completed.

M300 - APL/Robot Custom Sequence

The M300 code is used to call APL or Robot Custom Sequence programs. To call a specific program use the P code followed by the alias code, found in the APL custom sequence tab.

M300 Pn Q0 Plays the sequence in the background to the program.

M300 Pn R0 Plays the Sequence in reverse.



NOTE:

M300 Pn R0 ignores all non-robot related commands when the motion file is ran in reverse. Example of some commands ignored: Machine Dwells, Auto Door commands, Workholding commands, and Spindle Orients.

8.1.2 More Information Online

For updated information, including tips, tricks, maintenance procedures, and more, visit the Haas Service page at www.HaasCNC.com.

For the most current Operator's and Service Manuals scan the code below with your mobile device:



Chapter 9: Settings

9.1 Introduction

This chapter gives detailed descriptions of the settings that control the way that your machine works.

For the most current Setting information scan the code below with your mobile device.

F9.1: Mill - Settings Guide



9.1.1 List of Settings

Inside the **SETTINGS** tab, the settings are organized into groups. Use the **[UP]** and **[DOWN]** cursor arrow keys to highlight a setting group. Press the **[RIGHT]** cursor arrow key to see the settings in a group, . Press the **[LEFT]** cursor arrow key to return to the setting group list.

To quickly access a single setting, make sure the **SETTINGS** tab is active, type the setting number, and then press **[F1]** or, if a setting is highlighted, press the **[DOWN]** cursor.

Some settings have numerical values that fit in a given range. To change the value of these settings, type the new value and press **[ENTER]**. Other settings have specific available values that you select from a list. For these settings, use the **[RIGHT]** cursor to display the choices. Press **[UP]** and **[DOWN]** to scroll through the options. Press **[ENTER]** to select the option.

Setting	Description	Page
1	Auto Power Off Timer	448
2	Power Off at M30	448
4	Graphics Rapid Path	449

Setting	Description	Page
5	Graphics Drill Point	449
6	Front Panel Lock	449
8	Prog Memory Lock	449
9	Dimensioning	450
10	Limit Rapid at 50%	450
15	H and T Code Agreement	451
17	Opt Stop Lock Out	451
18	Block Delete Lock Out	451
19	Feedrate Override Lock	451
20	Spindle Override Lock	451
21	Rapid Override Lock	451
22	Can Cycle Delta Z	451
23	9xxx Progs Edit Lock	451
27	G76 / G77 Shift Dir.	452
28	Can Cycle No Linear Axes	452
29	G91 Non-modal	452
31	Reset Program Pointer	452
32	Coolant Override	453
33	Coordinate System	453
34	4th Axis Diameter	454
35	G60 Offset	454
36	Program Restart	454
39	Beep @ M00, M01, M02, M30	455

Setting	Description	Page
40	Tool Offset Measure	455
42	M00 After Tool Change	455
43	Cutter Comp Type	455
44	Min F Radius CC%	455
45	Mirror Image X Axis	456
46	Mirror Image Y Axis	456
47	Mirror Image Z Axis	456
48	Mirror Image A Axis	456
52	G83 Retract Above R	457
53	Jog w/o Zero Return	457
56	M30 Restore Default G	457
57	Canned Cycle Exact Stop	457
58	Cutter Compensation	457
59	Probe Offset X+	458
60	Probe Offset X-	458
61	Probe Offset Y+	458
62	Probe Offset Y-	458
63	Tool Probe Width	458
64	Tool Offset Measure Uses Work	458
71	Default G51 Scaling	458
72	Default G68 Rotation	458
73	G68 Incremental Angle	459
74	9xxx Progs Trace	459

Setting	Description	Page
75	9xxx Progs Single BLK	459
76	Tool Release Lockout	459
77	Scale Integer F	460
79	5th-Axis Diameter	460
80	Mirror Image B Axis	460
81	Tool At Power Up	460
82	Language	461
83	M30/Resets Overrides	461
84	Tool Overload Action	461
85	Maximum Corner Rounding	462
86	M39 Lockout	463
87	Tool Change Resets Override	463
88	Reset Rests Override	463
90	Max Tools To Display	463
101	Feed Override -> Rapid	463
103	Cyc Start/Fh Same Key	464
104	Jog Handle to SNGL BLK	464
108	Quick Rotary G28	464
109	Warm-Up Time in Min.	464
110	Warmup X Distance	465
111	Warmup Y Distance	465
112	Warmup Z Distance	465
113	Tool Change Method	465

Setting	Description	Page
114	Conveyor Cycle Time (minutes)	465
115	Conveyor On-Time (minutes)	459
117	G143 Global Offset	466
118	M99 Bumps M30 Cntrs	466
119	Offset Lock	466
120	Macro Var Lock	466
130	Tap Retract Speed	466
131	Auto Door	466
133	Repeat Rigid Tap	467
142	Offset Chng Tolerance	467
143	Machine Data Collection Port	467
144	Feed Override -> Spindle	467
155	Load Pocket Tables	468
156	Save Offsets with Program	468
158	X Screw Thermal Comp%	468
159	Y Screw Thermal Comp%	468
160	Z Screw Thermal Comp%	468
162	Default To Float	468
163	Disable .1 Jog Rate	468
164	Rotary Increment	469
165	Ssv Variation (RPM)	469
166	Ssv Cycle	469
188	G51 X Scale	469

Setting	Description	Page
189	G51 Y Scale	469
190	G51 Z Scale	469
191	Default Smoothness	470
196	Conveyor Shutoff	470
197	Coolant Shutoff	470
199	Backlight Timer	470
216	Servo and Hydraulic Shutoff	470
238	High Intensity Light Timer (minutes)	470
239	Worklight Off Timer (minutes)	470
240	Tool Life Warning	470
242	Air Water Purge Interval	467
243	Air Water Purge On-Time	471
245	Hazardous Vibration Sensitivity	471
247	Simultaneous XYZ Motion in Tool Change	471
249	Enable Haas Startup Screen	471
250	Mirror Image C Axis	471
251	Subprogram Search Location	471
252	Custom Subprogram Search Location	472
253	Default Graphics Tool Width	473
254	5-Axis Rotary Center Distance	473
255	MRZP X Offset	474
256	MRZP Y Offset	475
257	MRZP Z Offset	476

Setting	Description	Page
261	DPRNT Store Location	477
262	DPRNT Destination File Path	478
263	DPRNT Port	478
264	Autofeed Step Up	479
265	Autofeed Step Down	479
266	Autofeed Minimum Override	479
267	Exit Jog Mode After Idle Time	479
268	Second Home Position X	479
269	Second Home Position Y	479
270	Second Home Position Z	479
271	Second Home Position A	479
272	Second Home Position B	479
273	Second Home Position C	479
276	Workholding Input Monitor	482
277	Lubrication Cycle Interval	482
291	Main Spindle Speed Limit	482
292	Door Open Spindle Speed Limit	482
293	Tool Change Mid Position X	482
294	Tool Change Mid Position Y	482
295	Tool Change Mid Position Z	482
296	Tool Change Mid Position A	482
297	Tool Change Mid Position B	482
298	Tool Change Mid Position C	482

Setting	Description	Page
300	MRZP X Offset Master	485
301	MRZP Y Offset Master	485
302	MRZP Z Offset Master	485
303	MRZP X Offset Slave	485
304	MRZP Y Offset Slave	485
305	MRZP Z Offset Slave	485
306	Minimum Chip Clear Time	488
310	Min User Travel Limit A	488
311	Min User Travel Limit B	488
312	Min User Travel Limit C	489
313	Max User Travel Limit X	489
314	Max User Travel Limit Y	489
315	Max User Travel Limit Z	489
316	Max User Travel Limit A	489
317	Max User Travel Limit B	489
318	Max User Travel Limit C	489
323	Disable Notch Filter	491
325	Manual Mode Enabled	491
330	MultiBoot Selection Time out	491
335	Linear Rapid Mode	491
356	Beeper Volume	492
357	Warm Up Cycle Start Idle Time	492
369	PulseJet Injection Cycle Time	492

Setting	Description	Page
370	PulseJet Single Squirt Count	492
372	Parts Loader Type	493
375	APL Gripper Type	493
376	Light Curtain Enable	493
377	Negative Work Offsets	494
378	Safe Zone Calibrated Geometry Reference Point X	494
379	Safe Zone Calibrated Geometry Reference Point Y	494
380	Safe Zone Calibrated Geometry Reference Point Z	494
381	Enable Touchscreen	494
382	Disable Pallet Changer	494
383	Table Row Size	494
389	Vise Check For Part Hold At Cycle Start	495
396	Enable / Disable Virtual Keyboard	495
397	Press and Hold Delay	495
398	Header Height	495
399	Header Tab	495
400	Pallet Ready Beep Type	495
403	Change Popup Button Size	496
408	Exclude Tool From Safe Zone	496
409	Default Coolant Pressure	496
416	Media Destination	496
420	ATC Button Behavior	497
421	General Orient Angle	497

Setting	Description	Page
422	Lock Graphics Plane	497
423	Help Text Icon Size	497
424	Mist Extractor Condenser Time Out	497
430	Enable Broken Tool Detection	497
431	Region of Interest - Broken Tool Detection	498
433	Behavior - Broken Tool Detection	498
434	Part Zero Set Uses Tool	499
435	Indexer Initial Angle A	499
436	Indexer Incremental Angle A	499
437	Indexer Initial Angle B	500
438	Indexer Incremental Angle A	500
439	Indexer Initial Angle C	500
440	Indexer Incremental Angle C	500

1 - Auto Power Off Timer

This setting is used to automatically power-down the machine after a period of idle time. The value entered in this setting is the number of minutes the machine remains idle until it is powered down. The machine does not power down while a program is running, and the time (number of minutes) starts back at zero anytime a button is pressed or the **[HANDLE JOG]** control is used. The auto-off sequence gives the operator a 15-second warning before power down, at which time pressing any button stops the power down.

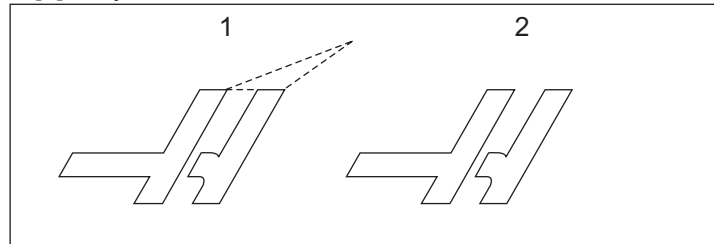
2 - Power Off at M30

If this setting is set to **ON**, the machine powers down at the end of a program (M30). The machine gives the operator a 15-second warning once an M30 is reached. Press any key to interrupt the power-off sequence.

4 - Graphics Rapid Path

This setting changes the way a program is viewed in the Graphics mode. When it is **OFF**, rapid, non-cutting tool motions do not leave a path. When it is **ON**, rapid tool motions leave a dashed line on the screen.

F9.2: Setting 4 -Graphics Rapid Path:[1] All Rapid Tool Motions Shown with a Dashed Line When **ON**. [2] Only Cut Lines Shown When **OFF**.



5 - Graphics Drill Point

This setting changes the way a program is viewed in Graphics mode. When it is **ON**, canned cycle drill locations leave a circle mark on the screen. When it is **OFF**, no additional marks are shown on the graphics display.

6 - Front Panel Lock

When set to **ON**, this setting disables the following keys:

Front pendant:

- Spindle **[FWD]** / **[REV]**
- **[ATC FWD]** / **[ATC REV]**
- **[NEXT TOOL]**
- **[TOOL RELEASE]**

Remote Jog Handle (RJH):

- **[NEXT]**
- **[PREV]**

8 - Prog Memory Lock

This setting locks out the memory editing functions (**[ALTER]**, **[INSERT]**, etc.) when it is set to **ON**. This also locks out MDI. Editing functions are not restricted by this setting.

9 - Dimensioning

This setting selects between inch and metric mode. When it is set to **INCH**, the programmed units for X, Y, and Z are inches, to 0.0001". When it is set to **MM**, programmed units are millimeters, to 0.001 mm. All offset values are converted when this setting is changed from inches to metric, or vice versa. However, changing this setting does not automatically translate a program stored in memory; the programmed axis values must be changed for the new units.

When set to **INCH**, the default G-code is G20, when set to **MM**, the default G-code is G21.

	Inch	Metric
Feed	in/min	mm/min
Max Travel	Varies by axis and model	
Minimum programmable dimension	.0001	.001

Axis jog key	Inch	Metric
.0001	.0001 in/jog click	.001 mm/jog click
.001	.001 in/jog click	.01 mm/jog click
.01	.01 in/jog click	.1 mm/jog click
.1	.1 in/jog click	1 mm/jog click

10 - Limit Rapid at 50%

Turning this setting **ON** limits the machine to 50% of its fastest non-cutting axis motion (rapids). This means, if the machine can position the axes at 700 inches per minute (ipm), it is limited to 350 ipm when this setting is **ON**. The control displays a 50% rapid override message, when this setting is **ON**. When it is **OFF**, the highest rapid speed of 100% is available.

15 - H and T Code Agreement

Turning this setting **ON** has the machine check to ensure that the **H** offset code matches the tool in the spindle. This check can help to prevent crashes.

**NOTE:**

*This setting does not generate an alarm with an **H00**. **H00** is used to cancel the tool length offset.*

17 - Opt Stop Lock Out

The Optional Stop feature is not available when this setting is **ON**.

18 - Block Delete Lock Out

The Block Delete feature is not available when this setting is **ON**.

19 - Feedrate Override Lock

The feedrate override buttons are disabled when this setting is turned **ON**.

20 - Spindle Override Lock

The spindle speed override keys are disabled when this setting is turned **ON**.

21 - Rapid Override Lock

The axis rapid override keys are disabled when this setting is turned **ON**.

22 - Can Cycle Delta Z

This setting specifies the distance to retract the Z Axis to clear chips during a **G73** canned cycle.

23 - 9xxx Progs Edit Lock

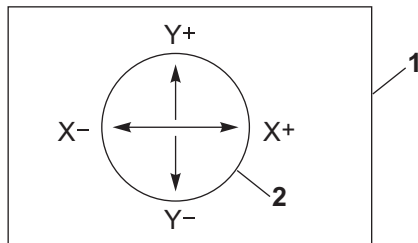
When this setting is **ON**, the control does not let you view or alter the files in the **09000** directory in **Memory/**. This protects macro programs, probing cycles, and any other files in the **09000** folder.

If you attempt to access the **09000** folder while Setting 23 is **ON**, you get the message *Setting 23 restricts access to folder.*

27 - G76 / G77 Shift Dir.

This setting specifies the direction to move to clear the boring tool during a G76 or G77 canned cycle. Selections are X+, X-, Y+, or Y-. For more information on how this setting works, refer to G76 and G77 cycle in the G-code section on page 353.

F9.3: Setting 27, Direction the Tool is Shifted to Clear Boring Tool: [1] Part, [2] Bored hole.



28 - Can Cycle No Linear Axes

This is an **ON/OFF** setting. The preferred setting is **ON**.

When it is **OFF**, the initial canned cycle definition block requires an X or Y code for the canned cycle to be executed.

When it is **ON**, the initial canned cycle definition block causes one cycle to be executed even when there is no X or Y code in the block.



NOTE:

When an I0 is in that block, it will not execute the canned cycle on the definition line. This setting has no effect on G72 cycles.

29 - G91 Non-modal

Turning this setting **ON** uses the G91 command only in the program block it is in (non-modal). When it is **OFF**, and a G91 is commanded, the machine uses incremental moves for all axis positions.



NOTE:

This setting must be OFF for G47 engraving cycles.

31 - Reset Program Pointer

When this setting is **OFF**, **[RESET]** does not change the position of the program pointer. When it is **ON**, pressing **[RESET]** moves the program pointer to the beginning of the program.

32 - Coolant Override

This setting controls how the coolant pump operates. When Setting 32 **NORMAL**, you can press **[COOLANT]**, or you can use M-codes in a program, to turn the coolant pump on and off.

When Setting 32 is **OFF**, the control gives the message *FUNCTION LOCKED* when you press **[COOLANT]**. The control gives an alarm when a program commands the coolant pump on or off.

When Setting 32 is **IGNORE**, the control ignores all programmed coolant commands, but you can press **[COOLANT]** to turn the coolant pump on or off.

**NOTE:**

Starting in software version 100.22.000.1000 and higher the control will monitor the coolant level.

**NOTE:**

*When Setting 32 is set to **NORMAL** and **IGNORE** the control will allow Coolant Level Monitoring to take place.*

**NOTE:**

*When Setting 32 is set to **OFF** it will disable the monitor and all the notifications of **Low Coolant** condition. Only the coolant gauge will be shown indicating the remaining level.*

33 - Coordinate System

This setting changes the way the Haas control recognizes the work offset system when a G52 or G92 is programmed. It can be set to **FANUC** or **HAAS**.

Set to **FANUC** with G52:

Any values in the G52 register are added to all work offsets (global coordinate shift). This G52 value can be entered either manually or through a program. When **FANUC** is selected, pressing **[RESET]**, commanding an M30, or machine power down clears out the value in G52.

Set to **HAAS** with G52:

Any values in the G52 register are added to all work offsets. This G52 value can be entered either manually or through a program. The G52 coordinate shift value is set to zero (zeroed) by manually entering zero, or by programming it with G52 X0, Y0, and/or Z0.

34 - 4th Axis Diameter

This is used to set the diameter of the 4th axis, which the control uses to determine the angular feedrate. The feedrate in a program is always inches or millimeters per minute (G94); therefore, the control must know the diameter of the part being machined in the 4th axis in order to compute angular feedrate. Refer to Setting 79 on page 460 for information on the 5th axis diameter setting.

35 - G60 Offset

This setting is used to specify the distance an axis travels past the target point prior to reversing. Also see G60.

36 - Program Restart

When this setting is **ON**, restarting a program from a point other than the beginning directs the control to scan the entire program to make sure that the tools, offsets, G- and M-codes, and axis positions are set correctly before the program starts at the block where the cursor is positioned.

When Setting 36 is **ON**, an alarm will be generated if the program is started on a line of code where Cutter Compensation is active. It is mandatory to start the program before a line of code with G41/G42 or after a line of code with G40.



NOTE:

The machine first goes to the position and changes to the tool specified in the block before the cursor position. For example, if the cursor is on a tool change block in the program, the machine changes to the tool loaded before that block, then it changes to the tool specified in the block at the cursor location.

The control processes these M-codes when Setting 36 is enabled:

M08 Coolant On

M09 Coolant Off

M41 Low Gear

M42 High Gear

M51-M58 Set User M

M61-M68 Clear User M

When Setting 36 is **OFF**, the control starts the program, but it does not check the conditions of the machine. Having this setting **OFF** may save time when running a proven program.

39 - Beep @ M00, M01, M02, M30

Turning this setting **ON** causes the keyboard beeper to sound when an **M00**, **M01** (with Optional Stop active), **M02**, or an **M30** is found. The beeper continues until a button is pressed.

40 - Tool Offset Measure

This setting selects how tool size is specified for cutter compensation. Set to either **RADIUS** or **DIAMETER**. The selection also effects the Tool Diameter geometry and wear values displayed on the **TOOL OFFSETS** table. If setting 40 is changed from **RADIUS** to **DIAMETER**, the displayed value is twice the value entered before.

42 - M00 After Tool Change

Turning this setting **ON** stops the program after a tool change and a message is displayed stating this. **[CYCLE START]** must be pressed to continue the program.

43 - Cutter Comp Type

This controls how the first stroke of a compensated cut begins and the way the tool is cleared from the part. The selections can be **A** or **B**; see the Cutter Compensation section on page **199**.

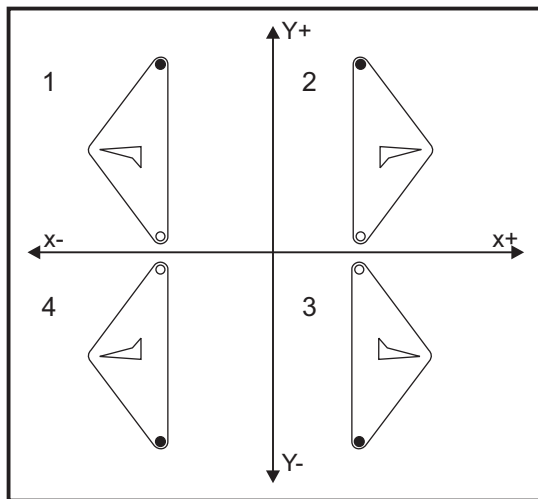
44 - Min F In Radius CC %

Minimum feedrate in radius cutter compensation percent setting affects the feed rate when cutter compensation moves the tool towards the inside of a circular cut. This type of cut slows down to maintain a constant surface feed rate. This setting specifies the slowest feed rate as a percentage of the programmed feed rate.

45, 46, 47 - Mirror Image X, Y, Z Axis

When one or more of these settings is **ON**, axis motion is mirrored (reversed) around the work zero point. See also G101, Enable Mirror Image.

F9.4: No Mirror Image [1], Setting 45 **ON** - X Mirror [2], Setting 46 **ON** - Y Mirror [4], Setting 45 and Setting 46 **ON** - XY Mirror [3]



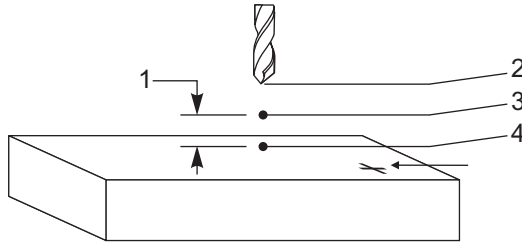
48 - Mirror Image A Axis

This is an **ON/OFF** setting. When it is **OFF**, axis motions occur normally. When it is **ON**, A-Axis motion may be mirrored (or reversed) around the work zero point. Also, see G101 and Settings 45, 46, 47, 80, and 250.

52 - G83 Retract Above R

This setting changes the way G83 (peck drilling cycle) behaves. Most programmers set the reference (R) plane well above the cut to ensure that the chip clearing motion actually allows the chips to get out of the hole. However this wastes time as the machine drills through this empty distance. If Setting 52 is set to the distance required to clear chips, the R plane can be set much closer to the part being drilled.

F9.5: Setting 52, Drill Retract Distance: [1] Setting 52, [2] Start Position, [3] Retract Distance Set by Setting 52, [4] R Plane



53 - Jog w/o Zero Return

Turning this setting **ON** allows the axes to be jogged without zero returning the machine (finding machine home). This is a dangerous condition as the axis can be run into the mechanical stops and possibly damage the machine. When the control is powered up, this setting automatically returns to **OFF**.

56 - M30 Restore Default G

When this setting is **ON**, ending a program with M30 or pressing **[RESET]** returns all modal G-codes to their defaults.

57 - Canned Cycle Exact Stop

When this setting is **OFF**, the axes may not get to the programmed X, Y position before the Z-Axis starts moving. This may cause problems with fixtures, fine part details or workpiece edges.

Turning this setting **ON** makes the mill reach the programmed X,Y position before the Z-Axis moves.

58 - Cutter Compensation

This setting selects the type of cutter compensation used (FANUC or YASNAC). See the Cutter Compensation section on page 199.

59, 60, 61, 62 - Probe Offset X+, X-, Y+, Y-

These settings are used to define the displacement and size of the spindle probe. They specify the travel distance and direction from where the probe is triggered to where the actual sensed surface is located. These settings are used by G31, G36, G136, and M75 codes. The values entered for each setting can be either positive or negative numbers, equal to the radius of the probe stylus tip.

You can use macros to access these settings; for more information, refer to the Macro section of this manual (starting on page 248).



NOTE:

These settings are not used with the Renishaw WIPS option.

63 - Tool Probe Width

This setting is used to specify the width of the probe used to test tool diameter. This setting only applies to the probing option; it is used by G35. This value is equal to the diameter of the tool probe stylus.

64 - Tool Offset Measure Uses Work

The (Tool Offset Measure Uses Work) setting changes the way the **[TOOL OFFSET MEASURE]** key works. When this is **ON**, the entered tool offset is the measured tool offset plus the work coordinate offset (Z-Axis). When it is **OFF**, the tool offset equals the Z machine position.

71 - Default G51 Scaling

This specifies the scaling for a G51 (See G-code Section, G51) command when the P address is not used. The default is 1.000.

72 - Default G68 Rotation

This specifies the rotation, in degrees, for a G68 command when the R address is not used.

73 - G68 Incremental Angle

This setting allows the G68 rotation angle to be changed for each commanded G68. When this switch is **ON** and a G68 command is executed in the Incremental mode (G91), the value specified in the R address is added to the previous rotation angle. For example, an R value of 10 causes the feature rotation to be 10 degrees the first time commanded, 20 degrees the next time, etc.

**NOTE:**

*This setting must be **OFF** when you command an engraving cycle (G47).*

74 - 9xxx Progs Trace

This setting, along with Setting 75, is useful for debugging CNC programs. When Setting 74 is **ON**, the control displays the code in the macro programs (O9xxxx). When the setting is **OFF**, the control does not display the 9000 series code.

75 - 9xxxx Progs Single BLK

When Setting 75 is **ON** and the control is operating in Single Block mode, then the control stops at each block of code in a macro program (O9xxxx) and waits for the operator to press **[CYCLE START]**. When Setting 75 is **OFF** the macro program is run continuously, the control does not pause at each block, even if Single Block is **ON**. The default setting is **ON**.

When Setting 74 and Setting 75 are both **ON**, the control acts normally. That is, all blocks executed are highlighted and displayed, and when in Single-Block mode there is a pause before each block is executed.

When Setting 74 and Setting 75 are both **OFF**, the control executes 9000 series programs without displaying the program code. If the control is in Single-Block mode, no single-block pause occurs during the running of the 9000 series program.

When Setting 75 is **ON** and Setting 74 is **OFF**, 9000 series programs are displayed as they are executed.

76 - Tool Release Lock Out

When this setting is **ON**, the **[TOOL RELEASE]** key on the keyboard is disabled.

77 - Scale Integer F

This setting allows the operator to select how the control interprets an F value (feedrate) that does not contain a decimal point. (It is recommended that you always use a decimal point.) This setting helps operators run programs developed on a control other than Haas.

There are 5 feedrate settings. This chart shows the effect of each setting on a given F10 address.

INCH		MILLIMETER	
Setting 77	Feedrate	Setting 77	Feedrate
DEFAULT	F0.0010	DEFAULT	F0.0100
INTEGER	F10.	INTEGER	F10.
.1	F1.0	.1	F1.0
.01	F0.10	.01	F0.10
.001	F0.010	.001	F0.010
.0001	F0.0010	.0001	F0.0010

79 - 5th-Axis Diameter

This is used to set the diameter of the 5th axis, that the control uses to determine the angular feedrate. The feedrate in a program is always inches or millimeters per minute; therefore, the control must know the diameter of the part being machined in the 5th-axis in order to compute angular feedrate. Refer to Setting 34 on page **454** for more information on the 4th axis diameter setting.

80 - Mirror Image B Axis

This is an **ON/OFF** setting. When it is **OFF**, axis motions occur normally. When it is **ON**, B-Axis motion may be mirrored (or reversed) around the work zero point. Also, see G101 and Settings 45, 46, 47, 48, and 250.

81 - Tool At Power Up

When **[POWER UP]** is pressed, the control changes to the tool specified in this setting. If zero (0) is specified, no tool change occurs at power up. The default setting is 1.

Setting 81, causes one of these actions to occur after you press **[POWER UP]**:

- If Setting 81 is set to zero, the carousel rotates to pocket #1. No tool change is performed.
- If Setting 81 contains the tool #1, and the tool currently in the spindle is tool #1, and **[ZERO RETURN]** then **[ALL]** are pressed, the carousel remains at the same pocket and no tool change is performed.
- If Setting 81 contains the tool number of a tool not currently in the spindle, the carousel rotates to pocket #1 and then to the pocket containing the tool specified by Setting 81. A tool change is performed to change the specified tool into the spindle.

82 - Language

Languages other than English are available in the Haas control. To change to another language, choose a language with the **[LEFT]** and **[RIGHT]** cursor arrows, then press **[ENTER]**.

83 - M30/Resets Overrides

When this setting is **ON**, an **M30** restores any overrides (feedrate, spindle, rapid) to their default values (100%).

84 - Tool Overload Action

When a tool becomes overloaded, Setting 84 designates the control response. These settings cause specified actions (refer to the Advanced Tool Management Introduction on page 124):

- **ALARM** causes the machine to stop.
- **FEEDHOLD** displays the message *Tool Overload* and the machine stops in a feedhold situation. Press any key to clear the message.
- **BEEP** causes an audible noise (beep) from the control.
- **AUTOFEED** causes the control to automatically limit the feedrate based on the tool load.



NOTE:

*When tapping (rigid or floating), the feed and spindle overrides are locked out, so the **AUTOFEED** setting is ineffective (the control appears to respond to the override buttons, by displaying the override messages).*



CAUTION:

*Do not use the **AUTOFEED** setting when thread milling or auto reversing tapping heads, as it can cause unpredictable results or even a crash.*

The last commanded feedrate is restored at the end of program execution, or when the operator presses **[RESET]** or turns **OFF** the **AUTOFEED** setting. The operator can use **[FEEDRATE OVERRIDE]** while the **AUTOFEED** setting is selected. These keys are recognized by the **AUTOFEED** setting as the new commanded feedrate as long as the tool load limit is not exceeded. However, if the tool load limit has already been exceeded, the control ignores **[FEEDRATE OVERRIDE]**.

85 - Maximum Corner Rounding

This setting defines the machining accuracy tolerance around corners. The initial default value is 0.0250". This means that the control keeps the radii of corners no bigger than 0.0250".

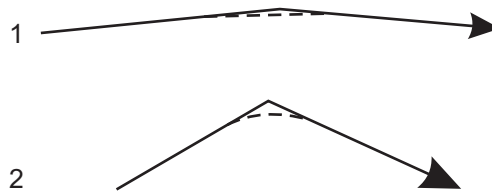
Setting 85 causes the control to adjust feeds around corners in all 3 axes to meet the tolerance value. The lower the value of Setting 85, the slower the control feeds around corners to meet the tolerance. The higher the value of Setting 85, the faster the control feeds around corners, up to the commanded feedrate, but it could round the corner off to a radius up to the tolerance value.



NOTE:

The angle of the corner also affects the change to the feedrate. The control can cut shallow corners within tolerance at a higher feedrate than it can with tighter corners.

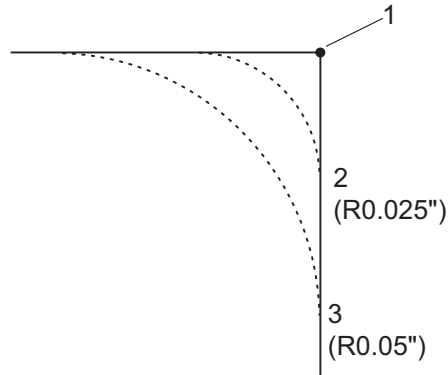
F9.6: The control can cut corner [1] within tolerance at a higher feedrate than it can cut corner [2].



If Setting 85 has a value of zero, the control acts as if exact stop is active in each motion block.

Refer also to Setting 191 on page **470** and G187 on page **395**.

F9.7: Assume that the commanded feedrate is too high to achieve corner [1]. If Setting 85 has a value of 0.025, then the control slows the feedrate enough to achieve corner [2] (with a radius of 0.025"). If Setting 85 has a value of 0.05, then the control slows the feedrate enough to achieve corner [3]. The feedrate to achieve corner [3] is faster than the feedrate to achieve corner [2].



86 - M39 (Rotate Tool Turret) Lockout

When this setting is **ON**, the control ignores **M39** commands.

87 - Tool Change Resets Override

This is an **ON/OFF** setting. When a **M06** is executed and this setting is **ON**, any overrides are canceled and set to their programmed values.



NOTE:

This setting only affects programmed tool changes, it does not affect [ATC FWD] or [ATC REV] tool changes.

88 - Reset Resets Overrides

This is an **ON/OFF** setting. When it is **ON** and **[RESET]** is pressed, any overrides are canceled and set to their programmed values or defaults (100%).

90 - Max Tools To Display

This setting limits the number of tools displayed on the Tool Offsets screen.

101 - Feed Override -> Rapid

Pressing **[HANDLE FEED]**, with this setting **ON**, will cause the jog handle to affect both the feedrate and the rapid rate overrides. Setting 10 affects the maximum rapid rate. The rapid rate cannot exceed 100%. Also, **[+10% FEEDRATE]**, **[- 10% FEEDRATE]**, and **[100% FEEDRATE]** change the rapid and feed rate together.

103 - Cyc Start/Fh Same Key

The [CYCLE START] button must be pressed and held to run a program when this setting is ON. When [CYCLE START] is released, a feed hold is generated.

This setting cannot be turned on while Setting 104 is ON. When one of them is set to ON, the other automatically turns off.

104 - Jog Handle to SNGL BLK

The [HANDLE JOG] control can single-step through a program when this setting is ON. Reversing the [HANDLE JOG] control direction generates a feed hold.

This setting cannot be turned on while Setting 103 is ON. When one of them is set to ON, the other automatically turns off.

108 - Quick Rotary G28

If this setting is ON, the control returns the rotary axes to zero in +/-359.99 degrees or less.

For example, if the rotary unit is at +/-950.000 degrees and a zero return is commanded, the rotary table rotates +/-230.000 degrees to the home position if this setting is ON.



NOTE:

The rotary axis returns to the machine home position, not the active work coordinate position.



NOTE:

This function only works when used with a G91 and not a G90.

109 - Warm-Up Time in MIN.

This is the number of minutes (up to 300 minutes from power-up) during which the control applies the compensations specified in Settings 110-112.

Overview – When the machine is powered on, if Setting 109, and at least one of Settings 110, 111, or 112, are set to a nonzero value, the control gives this warning:

CAUTION! Warm up Compensation is specified!

Do you wish to activate

Warm up Compensation (Y/N)?

If you answer Y to the prompt, the control immediately applies the total compensation (Setting 110, 111, 112), and the compensation begins to decrease as the time elapses. For instance, after 50% of the time in Setting 109 has elapsed, the compensation distance is 50%.

To restart the time period, power the machine off and on, and then answer **YES** to the compensation query at start-up.

**CAUTION:**

Changing Setting 110, 111, or 112 while compensation is in progress can cause a sudden movement of up to 0.0044 inch.

110, 111, 112 - Warmup X, Y, Z Distance

Settings 110, 111, and 112 specify the amount of compensation (max = +/- 0.0020" or +/- 0.051 mm) applied to the axes. Setting 109 must have a value entered for settings 110-112 to have an effect.

113 - Tool Change Method

This setting selects how a tool change is executed.

A selection of **Auto** defaults to the automatic tool changer on the machine.

A selection of **Manual** allows for manual tool change operation. When a tool change is executed in a program, the machine will stop at a tool change and prompt you to load the tool into the spindle. Insert the spindle and press **[CYCLE START]** to continue the program.

114 - Conveyor Cycle (minutes)

Setting 114 Conveyor Cycle Time is the interval that the conveyor turns on automatically. For example, if setting 114 is set to 30, the chip conveyor turns on every half an hour.

On-time should be set no greater than 80% of cycle time. Refer to Setting 115 on page **459**.

NOTE: *The **[CHIP FWD]** button (or M31) starts the conveyor in the forward direction and starts the cycle.*

*The **[CHIP STOP]** button (or M33) stops the conveyor and cancels the cycle.*

115 - Conveyor On-time (minutes)

Setting 115 Conveyor On-Time is the amount of time the conveyor runs. For example, if setting 115 is set to 2, the chip conveyor runs for 2 minutes, then turns off.

On-time should be set no greater than 80% of cycle time. Refer to Setting 114 Cycle Time on page **465**.

NOTE: *The **[CHIP FWD]** button (or M31) starts the conveyor in the forward direction and starts the cycle.*

*The **[CHIP STOP]** button (or M33) stops the conveyor and cancels the cycle.*

117 - G143 Global Offset (VR Models Only)

This setting is provided for customers who have several 5-axis Haas mills and want to transfer the programs and tools from one to another. The pivot-length difference is entered into this setting, and it is applied to the G143 tool length compensation.

118 - M99 Bumps M30 CNTRS

When this setting is **ON**, an M99 adds one to the M30 counters (these are visible after pressing **[CURRENT COMMANDS]**).



NOTE:

M99 only increases the counters as it occurs in a main program, not in a sub-program.

119 - Offset Lock

Turning the setting **ON** does not allow the values in the Offset display to be altered. However, programs that alter offsets with macros or G10 are permitted to do so.

120 - Macro Var Lock

Turning this setting **ON** does not allow the macro variables to be altered. However, programs that alter macro variables can do so.

130 - Tap Retract Speed

This setting affects the retract speed during a tapping cycle (The mill must have the Rigid Tapping option). Entering a value, such as 2, commands the mill to retract the tap twice as fast as it went in. If the value is 3, it retracts three times as fast. A value of 0 or 1 has no effect on the retract speed.

Entering a value of 2 is the equivalent of using a J address code value of 2 for G84 (tapping canned cycle). However, specifying a J code for a rigid tap overrides Setting 130.

131 - Auto Door

When this setting is set to **ON**:

- the Auto Door closes when **[CYCLE START]** is pressed
- the Auto Door opens when the program reaches an M00, M01 (with Optional Stop turned **ON**), M02, or M30 and the spindle has stopped turning.

When this setting is set to **OFF**:

- The above functions are disabled.
- **Mill:**To use M80/ M81 Auto Door Open / Close M-codes during automation.

**NOTE:**

The Auto door Open/Close M-codes work only while the machine receives a cell-safe signal from a robot or if it has a light curtain installed. For more information refer to Robot Integration Aid - NGC reference document on the service site.

**NOTE:**

The Auto door button will Open/Close the door regardless if setting 131 is set to On or OFF, except if the machine has the HE patch installed. When machine has the HE patch enabled the Auto door button will be disabled.

133 - Repeat Rigid Tap

This setting (Repeat Rigid Tap) ensures that the spindle is oriented during tapping so that the threads line up when a second tapping pass is programmed in the same hole.

**NOTE:**

This setting must be ON when a program commands peck tapping.

142 - Offset Chng Tolerance

This setting is intended to prevent operator errors. It generates a warning message if an offset is changed by more than the setting's value, 0 to 3.9370 inches (0 to 100 mm). If you change an offset by more than the entered amount (either positive or negative), the control prompts: *XX changes the offset by more than Setting 142! Accept (Y/N)?*

Press [Y] to continue and update the offset. Press [N] to reject the change.

143 - Machine Data Collection Port

When this setting has a non-zero value, it defines the network port that the control uses to send machine data collection information. If this setting has a value of zero, the control does not send machine data collection information.

144 - Feed Override->Spindle

This setting is intended to keep the chip load constant when an override is applied. When this setting is ON, any feedrate override is also applied to the spindle speed, and the spindle overrides are disabled.

155 - Load Pocket Tables

This setting is used when a software upgrade is performed and/or memory has been cleared and/or the control is re-initialized. In order to replace the contents of the side-mount tool changer pocket tool table with the data from the file, the setting must be **ON**.

If this setting is **OFF** when loading an Offset file from a hardware device, the contents of the **Pocket Tool** table is unaltered. Setting 155 automatically defaults to **OFF** when the machine is turned on.

156 - Save Offsets with Program

When this setting is **ON**, the control includes the offsets in the program file when you save it. The offsets appear in the file before the final % sign, under the heading **O999999**.

When you load the program back into memory, the control prompts *Load Offsets (Y/N?)*. Press **Y** if you want to load the saved offsets. Press **N** if you do not want to load them.

158, 159, 160 - X, Y, Z Screw Thermal COMP%

These settings can be set from -50 to +50 and adjust the existing screw thermal compensation by -50% to +50% accordingly.

162 - Default To Float

When this setting is **ON**, the control will interpret the interger code as if it had a decimal point. When the setting is **OFF**, values given after address codes that do not include decimal points are taken as machinist's notation; for example, thousandths or ten-thousandths. The feature applies to these address codes: X, Y, Z, A, B, C, E, I, J, K, U, and W.

	Value entered	With Setting Off	With Setting On
In Inch mode	X-2	X- .0002	X-2.
In MM mode	X-2	X- .002	X-2.



NOTE:

This setting affects the interpretation of all programs. It does not alter the effect of setting 77 Scale Integer F.

163 - Disable .1 Jog Rate

This setting disables the highest jog rate. If the highest jog rate is selected, the next lower rate is automatically selected instead.

164 - Rotary Increment

This setting applies to the [PALLET ROTATE] button on the EC-1600. It specifies the rotation for the rotary table. It should be set to a value from -180 to 180. For example, entering 90 rotates the pallet 90 degrees each time the rotary index button is pressed. If it is set to zero, the rotary table does not rotate.

**NOTE:**

For software 100.24.000.1100 or later, use settings 435 to 440. If the User Positions indexer settings are disabled (settings 435 to 440 = inactive and 0), pressing the mechanical button will still use the setting 164 value.

165 - Main Spindle SSV Variation (RPM)

Specifies the amount by which to allow the RPM to vary above and below the commanded value during use of the Spindle Speed Variation feature. This must be a positive value.

166 - Main Spindle SSV Cycle

Specifies the duty cycle, or the rate of change of the Main Spindle Speed. This must be a positive value.

188, 189, 190 - G51 X, Y, Z SCALE

You can scale the axes individually with these settings (the value must be a positive number).

Setting 188 = G51 X SCALE

Setting 189 = G51 Y SCALE

Setting 190 = G51 Z SCALE

If setting 71 has a value, then the control ignores Settings 188 - 190, and it uses the value in setting 71 for scaling. If the value for setting 71 is zero, then the control uses Settings 188 - 190.

**NOTE:**

When settings 188-190 are in effect, only linear interpolation, G01, is allowed. If G02 or G03 is used, alarm 467 is generated.

191 - Default Smoothness

This setting's value of **ROUGH**, **MEDIUM**, or **FINISH** sets the default smoothness and a maximum corner rounding factor. The control uses this default value unless a G187 command overrides the default.

196 - Conveyor Shutoff

This specifies the amount of time to wait without activity prior to turning off the chip conveyor (and washdown coolant, if installed). Units are minutes.

197 - Coolant Shutoff

This setting is the amount of time to wait without activity before Coolant flow stops. Units are minutes.

199 - Backlight Timer

This setting is the time in minutes after which the machine display backlight turns off when there is no input at the control (except in JOG, GRAPHICS, or SLEEP mode or when an alarm is present). Press any key to restore the screen (**[CANCEL]** is preferred).

216 - Servo and Hydraulic Shutoff

This setting specifies the duration of idle time, in seconds, before Power Save Mode starts. Power Save Mode shuts down all servo motors and hydraulic pumps. The motors and pumps start up again when needed (axis/spindle motion, program execution, etc.).

238 - High Intensity Light Timer (minutes)

Specifies the duration in minutes that the High Intensity Light option (HIL) remains turned on when activated. The light turns on when the door is opened and the work light switch is on. If this value is zero, then the light will remain turned on while the doors are open.

239 - Worklight Off Timer (minutes)

Specifies the amount of time in minutes after which the work light will turn off automatically if there are no key presses or **[HANDLE JOG]** changes. If a program is running when the light turns off, the program will continue running.

240 - Tool Life Warning

This value is a percentage of tool life. When tool wear reaches this threshold percentage, the control displays a Tool Wear Warning icon.

242 - Air Water Purge Interval (minutes)

This setting specifies the interval, in minutes, between condensate purges from the system air reservoir.

243 - Air Water Purge On-Time (seconds)

This setting specifies the duration, in seconds, of condensate purges from the system air reservoir.

245 - Hazardous Vibration Sensitivity

This setting has (3) levels of sensitivity for the hazardous vibration accelerometer in the machine's control cabinet: **Normal**, **Low**, or **Off**. The value defaults to **Normal** at each machine power-up.

You can see the current g force reading on the **Gauges** page in **Diagnostics**.

Depending on the machine, vibration is considered hazardous when it exceeds 600 - 1,400 g. At or above the limit, the machine gives an alarm.

If your application tends to cause vibration, you can change Setting 245 to a lower sensitivity to prevent nuisance alarms.

247 - Simultaneous XYZ Motion in Tool Change

Setting 247 defines how the axes move during a tool change. If Setting 247 is **OFF**, the Z Axis retracts first, followed by X- and Y-Axis motion. This feature can be useful in avoiding tool collisions for some fixture configurations. If Setting 247 is **ON**, the axes move simultaneously. This may cause collisions between the tool and the workpiece, due to B- and C-Axis rotations. It is strongly recommended that this setting remain **OFF** on the UMC-750, due to the high potential for collisions.

249 - Enable Haas Startup Screen

Enable Haas Startup Screen. If this setting is **ON**, the Haas Startup Screen will be displayed every time the machine is powered on.

This setting can be disabled through the Setting page or by pressing **[F1]** at the Haas Startup Screen.

250 - Mirror Image C Axis

This is an **ON/OFF** setting. When it is **OFF**, axis motions occur normally. When it is **ON**, C-Axis motion may be mirrored (or reversed) around the work zero point. Also, see G101 and Settings 45, 46, 47, 48, and 80.

251 - Subprogram Search Location

This setting specifies the directory to search for external subprograms when the subprogram is not in the same directory as the main program. Also, if the control cannot find an M98 subprogram, the control looks here. Setting 251 has (3) options:

- **Memory**
- **USB Device**

- **Setting 252**

For the **Memory** and **USB Device** options, the subprogram must be in the root directory of the device. For the **Setting 252** selection, Setting 252 must specify a search location to use.



NOTE:

When you use M98:

- The P code (nnnnn) is the same as the program number (Onnnnn) of the subprogram.
- If the subprogram is not in memory, the file name must be Onnnnnn.nc. The file name must contain the O, leading zeros and .nc for the machine to find the subprogram.

252 - Custom Subprogram Search Location

This setting specifies the subprogram search locations when Setting 251 is set to **Setting 252**. To make changes to this setting, highlight Setting 252 and press the **[RIGHT]** cursor. The Setting 252 popup explains how to delete and add search paths and lists existing search paths.

To delete a search path:

1. Highlight the path listed in the Setting 252 popup.
2. Press **[DELETE]**.

If there is more than one path to delete, repeat steps 1 and 2.

To set a new path:

1. Press **[LIST PROGRAM]**.
2. Highlight the directory to add.
3. Press **[F3]**.
4. Select **Setting 252 add** and press **[ENTER]**.

To add another path, repeat steps 1 through 4.



NOTE:

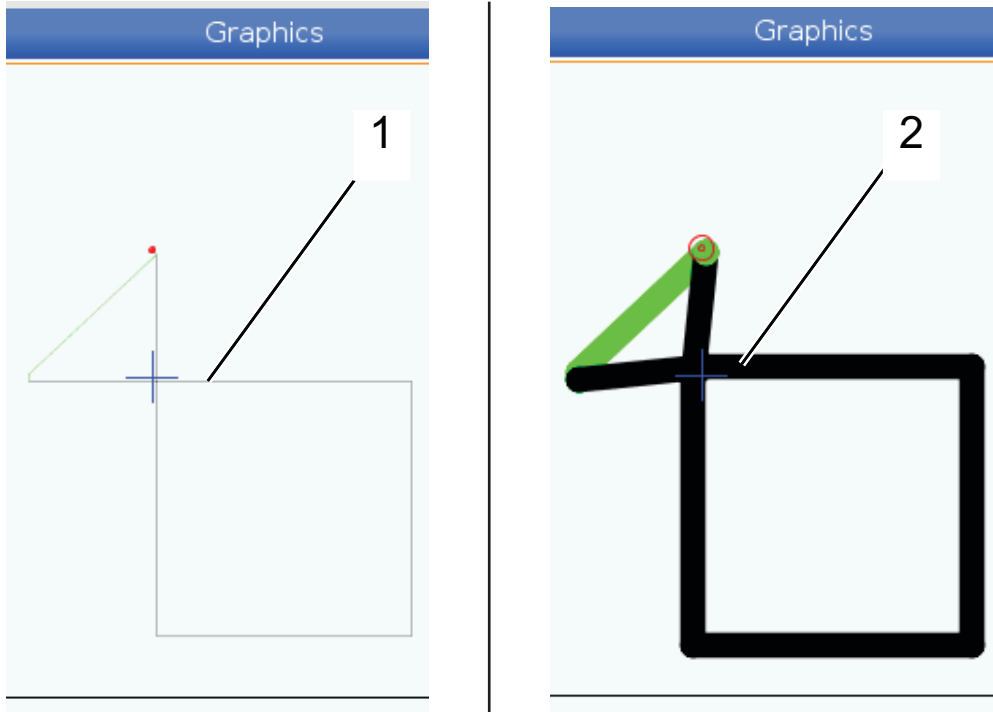
When you use M98:

- The P code (nnnnn) is the same as the program number (Onnnnn) of the subprogram.
- If the subprogram is not in memory, the file name must be Onnnnnn.nc. The file name must contain the O, leading zeros and .nc for the machine to find the subprogram.

253 - Default Graphics Tool Width

If this setting is **ON**, Graphics mode uses default tool width (a line) [1]. If this setting is **OFF**, Graphics mode uses the Tool Offset Diameter Geometry specified in the **Tool Offsets** table as the graphics tool width [2].

F9.8: Graphics Display with Setting 253 On [1] and Off [2].



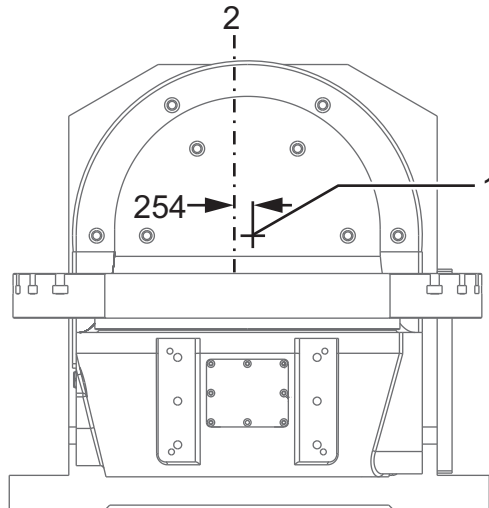
254 - 5-Axis Rotary Center Distance

Setting 254 defines the distance, in inches or millimeters, between the rotary centers of rotation. The default value is 0. The maximum allowed compensation is ± 0.005 in (± 0.1 mm).

When this setting is 0, the control does not use 5-axis rotary center distance compensation.

When this setting has a non-zero value, the control applies 5-axis rotary center distance compensation to the appropriate axes during all rotary motion. This aligns the tool tip with the programmed position when the program invokes **G234**, Tool Center Point Control (TCPC).

F9.9: Setting 254. [1] Tilt Axis Center of Rotation, [2] Rotary Axis Center of Rotation. This illustration is not to scale. Distances are exaggerated for clarity.



NOTE:

When touching off tools or working on the stationary table, make sure the tilt axis is at 0 degrees (A0° or B0°).

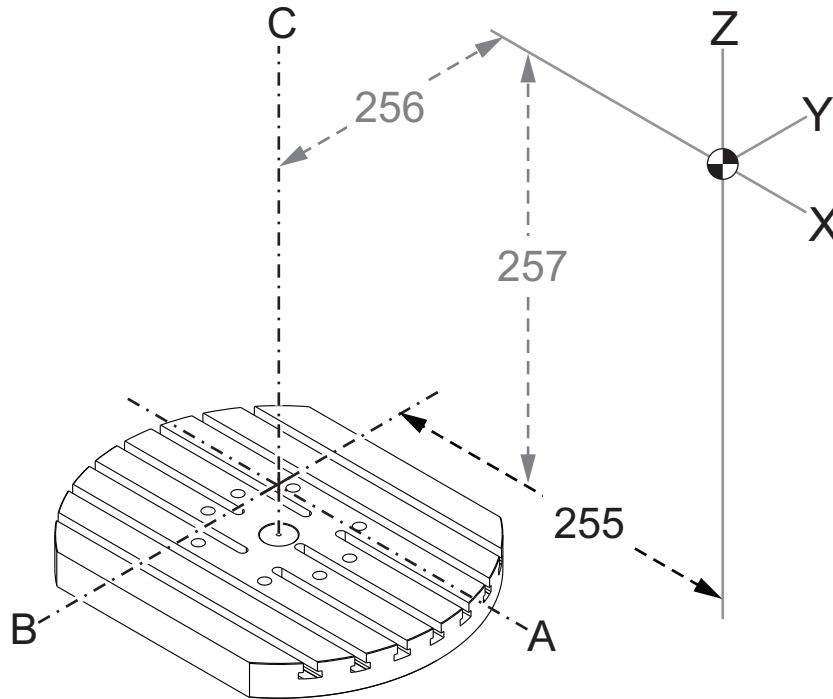
255 - MRZP X Offset

Setting 255 defines the distance, in inches or millimeters, between the

- B tilt axis centerline and the X-Axis home position for a B/C axis UMC, or
- C rotary axis centerline and the X-Axis home position for an A/C axis trunnion.

Use macro value #20255 to read the value of Setting 255.

F9.10: [B] Tilt Axis, [C] Rotary Axis. On a UMC-750 (shown), these axes intersect approximately 2" above the table. [255] Setting 255 is the distance along the X Axis between machine zero and the [B] tilt axis centerline. For [A] Tilt Axis, [C] Rotary Axis on a Trunnion, [255] Setting 255 is the distance along the X Axis between machine zero and the [C] axis centerline. This illustration is not to scale.



NOTE:

When touching off tools or working on the stationary table, make sure the tilt axis is at 0 degrees (A0° or B0°).

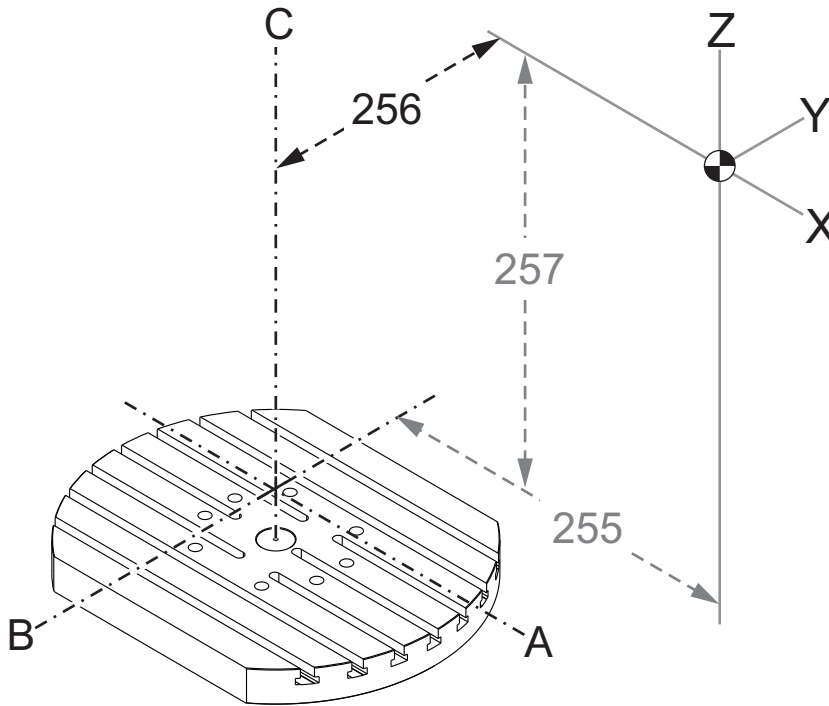
256 - MRZP Y Offset

Setting 256 defines the distance, in inches or millimeters, between the

- C rotary axis centerline and the Y-Axis home position for a B/C axis UMC, or.
- A tilt axis center line and the Y-Axis home position for an A/C axis trunnion.

Use macro value #20256 to read the value of Setting 256.

F9.11: [B] Tilt Axis, [C] Rotary Axis. [256] Setting 256 is the distance along the Y Axis between machine zero and the [C] rotary axis centerline. For [A] Tilt Axis, [C] Rotary Axis on a Trunnion, [256] Setting 256 is the distance along the Y Axis between machine zero and the [A] Tilt Axis centerline. This illustration is not to scale.



NOTE:

When touching off tools or working on the stationary table, make sure the tilt axis is at 0 degrees (A0° or B0°).

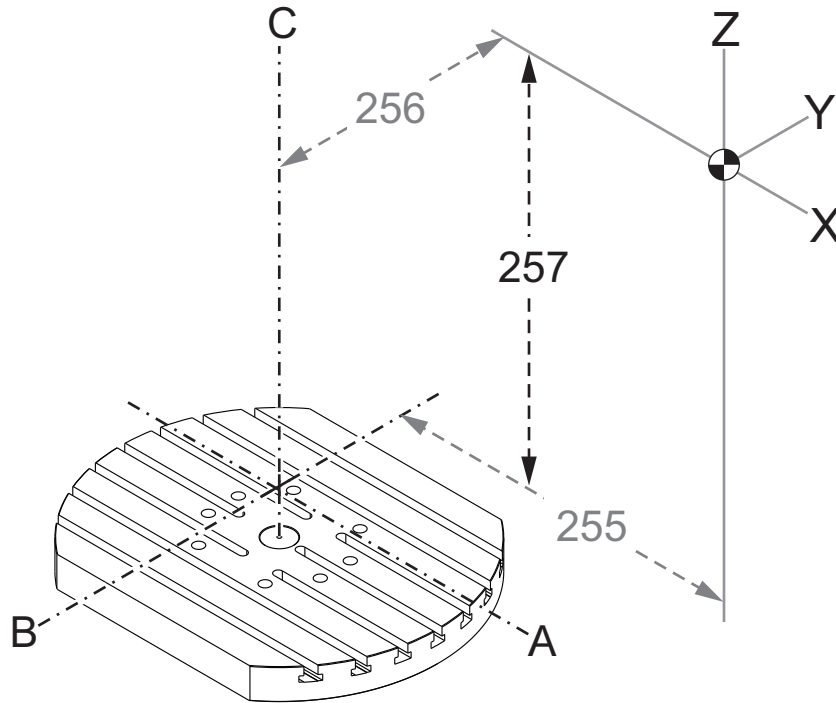
257 - MRZP Z Offset

Setting 257 defines the distance, in inches or millimeters, between the

- B tilt axis and the Z-Axis home position for a B/C axis UMC, or
- A tilt axis and the Z-Axis home position for an A/C axis trunnion

Use macro value #20257 to read the value of Setting 257.

F9.12: [B] Tilt Axis, [C] Rotary Axis. On a UMC-750 (shown), these axes intersect approximately 2" above the table. [257] Setting 257 is the distance along the Z Axis between machine zero and the [B] tilt axis. For [A] Tilt Axis, [C] Rotary Axis on a Trunnion, [257] Setting 257 is the distance along the Z Axis between machine zero and the [A] tilt axis. This illustration is not to scale.



NOTE:

When touching off tools or working on the stationary table, make sure the tilt axis is at 0 degrees ($A0^\circ$ or $B0^\circ$).

261 - DPRNT Store Location

DPRNT is a macro function that lets the machine control communicate with external devices. The Next-Generation Control (NGC) lets you output DPRNT statements over a TCP network, or to a file.

Setting 261 lets you specify where the DPRNT statement output goes:

- **Disabled** - The control does not process DPRNT statements.
- **File** - The control outputs DPRNT statements to the file location specified in setting 262.
- **TCP Port** - The control outputs DPRNT statements to the TCP port number specified in setting 263.

- **Messages** - The control outputs DPRNT statements to the Messages box. Press [ALARMS] and then navigate to the [MESSAGES] tab.

262 - DPRNT Destination File Path

DPRNT is a macro function that lets the machine control communicate with external devices. The Next-Generation Control (NGC) lets you output DPRNT statements to a file, or over a TCP network.

If setting 261 is set to **File**, setting 262 lets you specify the file location where the control sends DPRNT statements.

263 - DPRNT Port

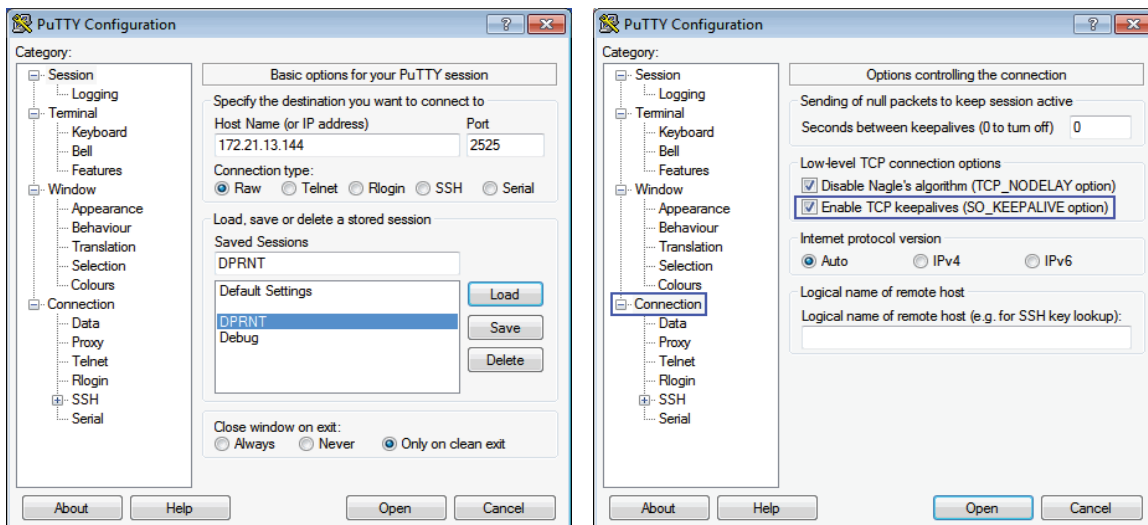
DPRNT is a macro function that lets the machine control communicate with external devices. The Next-Generation Control (NGC) lets you output DPRNT statements over a TCP network.

If setting 261 is set to **TCP Port**, setting 263 lets you specify the TCP port where the control sends DPRNT statements. On the PC, you can use any terminal program that supports TCP.

Use the port value along with the machine's IP address in the terminal program to connect to the machine's DPRNT stream. For example, if you use the terminal program PUTTY:

1. In the basic options section, type the machine's IP address and the port number in Setting 263.
2. Select the Raw or Telnet connection type.
3. Click "Open" to start the connection.

F9.13: PUTTY can save these options for subsequent connections. To keep the connection open, select "Enable TCP keepalives" in the "Connection" options.



To check the connection, type ping in the PUTTY terminal window and press enter. The machine sends a ping message if the connection is active. You can establish up to (5) simultaneous connections at a time.

264 - Autofeed Step Up

While autofeed is active, this setting defines the percentage amount by which the feedrate increments after tool overload stops.

265 - Autofeed Step Down

When autofeed is active, this setting defines the percentage amount by which the feedrate decrements during a tool overload.

266 - Autofeed Minimum Override

This setting defines the minimum percentage to which autofeed can reduce the feedrate.

267 - Exit Jog Mode after Idle Time

This setting defines the maximum duration, in minutes, that the control remains in jog mode with no axis motion or keyboard activity. After this duration, the control automatically changes to **ZERO RETURN** mode. A value of zero disables this automatic change to **ZERO RETURN** mode from **JOG** mode.

268 - Second Home Position X

This setting defines the X-Axis position for second home, in inches or millimeters. The value is limited by the travel limits for the specific axis.

Press the **[ORIGIN]** button to set this setting to inactive or set the complete group to inactive.



NOTE:

This setting is in the User Positions tab under Settings. Refer to the tab description on page 517 for more information.



CAUTION:

Incorrectly set user positions can cause machine crashes. Set user positions with caution, especially after you have changed your application in some way (new program, different tools, etc.). Verify and change each axis position separately.

269 - Second Home Position Y

This setting defines the Y-Axis position for second home, in inches or millimeters. The value is limited by the travel limits for the specific axis.

Press the **[ORIGIN]** button to set this setting to inactive or set the complete group to inactive.



NOTE:

*This setting is in the **User Positions** tab under **Settings**. Refer to the tab description on page 517 for more information.*



CAUTION:

Incorrectly set user positions can cause machine crashes. Set user positions with caution, especially after you have changed your application in some way (new program, different tools, etc.). Verify and change each axis position separately.

270 - Second Home Position Z

This setting defines the Z-Axis position for second home, in inches or millimeters. The value is limited by the travel limits for the specific axis.

Press the **[ORIGIN]** button to set this setting to inactive or set the complete group to inactive.



NOTE:

*This setting is in the **User Positions** tab under **Settings**. Refer to the tab description on page 517 for more information.*



CAUTION:

Incorrectly set user positions can cause machine crashes. Set user positions with caution, especially after you have changed your application in some way (new program, different tools, etc.). Verify and change each axis position separately.

271 - Second Home Position A

This setting defines the A-Axis position for second home, in degrees. The value is limited by the travel limits for the specific axis.

Press the **[ORIGIN]** button to set this setting to inactive or set the complete group to inactive.

**NOTE:**

*This setting is in the **User Positions** tab under **Settings**. Refer to the tab description on page **517** for more information.*

**CAUTION:**

Incorrectly set user positions can cause machine crashes. Set user positions with caution, especially after you have changed your application in some way (new program, different tools, etc.). Verify and change each axis position separately.

272 - Second Home Position B

This setting defines the B-Axis position for second home, in degrees. The value is limited by the travel limits for the specific axis.

Press the **[ORIGIN]** button to set this setting to inactive or set the complete group to inactive.

**NOTE:**

*This setting is in the **User Positions** tab under **Settings**. Refer to the tab description on page **517** for more information.*

**CAUTION:**

Incorrectly set user positions can cause machine crashes. Set user positions with caution, especially after you have changed your application in some way (new program, different tools, etc.). Verify and change each axis position separately.

273 - Second Home Position C

This setting defines the C-Axis position for second home, in degrees. The value is limited by the travel limits for the specific axis.

Press the **[ORIGIN]** button to set this setting to inactive or set the complete group to inactive.

**NOTE:**

*This setting is in the **User Positions** tab under **Settings**. Refer to the tab description on page **517** for more information.*



CAUTION:

Incorrectly set user positions can cause machine crashes. Set user positions with caution, especially after you have changed your application in some way (new program, different tools, etc.). Verify and change each axis position separately.

276 - Workholding Input Number

This setting specifies the input number to monitor for workholding fixture clamping. If the control receives a spindle start command while this input indicates that the workholding is not clamped, the machine gives an alarm.

For more information on how to set this setting refer to the Robot Aid Integration document on the Haas service site.

277 - Axis Lubrication Interval

This setting defines the interval, in hours, between cycles for the axis lubrication system. The minimum value is 1 hour. The maximum value is between 12 and 24 hours, depending on the machine model.

291 - Main Spindle Speed Limit

This setting defines a top speed for the main spindle. When this setting has a nonzero value, the spindle will never exceed the designated speed.

292 - Door Open Spindle Speed Limit

This setting specifies the maximum spindle speed allowed while the machine door is open.

293 - Tool Change Mid Position X

This setting lets you define a safe position for the X axis at a tool change command, before the axes go to their final tool change positions. Use this position to avoid collisions with fixtures, trunnions, and other potential obstacles. The control uses this position for every tool change, no matter how it is commanded (M06, [NEXT TOOL], etc.)

Press the **[ORIGIN]** button to set this setting to inactive or set the complete group to inactive.



NOTE:

This setting is in the User Positions tab under Settings. Refer to the tab description on page 517 for more information.

**CAUTION:**

Incorrectly set user positions can cause machine crashes. Set user positions with caution, especially after you have changed your application in some way (new program, different tools, etc.). Verify and change each axis position separately.

294 - Tool Change Mid Position Y

This setting lets you define a safe position for the Y axis at a tool change command, before the axes go to their final tool change positions. Use this position to avoid collisions with fixtures, trunnions, and other potential obstacles. The control uses this position for every tool change, no matter how it is commanded (M06, **[NEXT TOOL]**, etc.)

Press the **[ORIGIN]** button to set this setting to inactive or set the complete group to inactive.

**NOTE:**

This setting is in the User Positions tab under Settings. Refer to the tab description on page 517 for more information.

**CAUTION:**

Incorrectly set user positions can cause machine crashes. Set user positions with caution, especially after you have changed your application in some way (new program, different tools, etc.). Verify and change each axis position separately.

295 - Tool Change Mid Position Z

This setting lets you define a safe position for the Z axis at a tool change command, before the axes go to their final tool change positions. Use this position to avoid collisions with fixtures, trunnions, and other potential obstacles. The control uses this position for every tool change, no matter how it is commanded (M06, **[NEXT TOOL]**, etc.)

Press the **[ORIGIN]** button to set this setting to inactive or set the complete group to inactive.

**NOTE:**

This setting is in the User Positions tab under Settings. Refer to the tab description on page 517 for more information.



CAUTION:

Incorrectly set user positions can cause machine crashes. Set user positions with caution, especially after you have changed your application in some way (new program, different tools, etc.). Verify and change each axis position separately.

296 - Tool Change Mid Position A

This setting lets you define a safe position for the A axis at a tool change command, before the axes go to their final tool change positions. Use this position to avoid collisions with fixtures, trunnions, and other potential obstacles. The control uses this position for every tool change, no matter how it is commanded (M06, **[NEXT TOOL]**, etc.)

Press the **[ORIGIN]** button to set this setting to inactive or set the complete group to inactive.



NOTE:

*This setting is in the **User Positions** tab under **Settings**. Refer to the tab description on page **User Positions** for more information.*



CAUTION:

Incorrectly set user positions can cause machine crashes. Set user positions with caution, especially after you have changed your application in some way (new program, different tools, etc.). Verify and change each axis position separately.

297 - Tool Change Mid Position B

This setting lets you define a safe position for the B axis at a tool change command, before the axes go to their final tool change positions. Use this position to avoid collisions with fixtures, trunnions, and other potential obstacles. The control uses this position for every tool change, no matter how it is commanded (M06, **[NEXT TOOL]**, etc.)

Press the **[ORIGIN]** button to set this setting to inactive or set the complete group to inactive.



NOTE:

*This setting is in the **User Positions** tab under **Settings**. Refer to the tab description on page **517** for more information.*

**CAUTION:**

Incorrectly set user positions can cause machine crashes. Set user positions with caution, especially after you have changed your application in some way (new program, different tools, etc.). Verify and change each axis position separately.

298 - Tool Change Mid Position C

This setting lets you define a safe position for the C axis at a tool change command, before the axes go to their final tool change positions. Use this position to avoid collisions with fixtures, trunnions, and other potential obstacles. The control uses this position for every tool change, no matter how it is commanded (M06, **[NEXT TOOL]**, etc.)

Press the **[ORIGIN]** button to set this setting to inactive or set the complete group to inactive.

**NOTE:**

*This setting is in the **User Positions** tab under **Settings**. Refer to the tab description on page **517** for more information.*

**CAUTION:**

Incorrectly set user positions can cause machine crashes. Set user positions with caution, especially after you have changed your application in some way (new program, different tools, etc.). Verify and change each axis position separately.

300 - MRZP X Offset Master

This setting defines the distance, in inches or mm, between the master rotary axis center and the X-Axis machine zero position. This is similar to Setting 255, except that a value in this setting also specifies that the value refers to the master rotary axis. This setting overrides Setting 255.

Master/Slave axis definition: Typically, when (2) rotary axes control the orientation of a table, one rotary mechanism (for example, a rotary table) sits on top of another rotary mechanism (for example, a tilting trunnion). The rotation mechanism at the bottom comprises the “master” axis (which remains parallel to one of the machine’s linear axes at all times), and the rotation mechanism at the top comprises the “slave” axis (which has a varying orientation to the machine’s axes).

**NOTE:**

When touching off tools or working on the stationary table, make sure the tilt axis is at 0 degrees (A0° or B0°).

301 - MRZP Y Offset Master

This setting defines the distance, in inches or mm, between the master rotary axis center and the Y-Axis machine zero position. This is similar to Setting 256, except that a value in this setting also specifies that the value refers to the master rotary axis. This setting overrides Setting 256.

Master/Slave axis definition: Typically, when (2) rotary axes control the orientation of a table, one rotary mechanism (for example, a rotary table) sits on top of another rotary mechanism (for example, a tilting trunnion). The rotation mechanism at the bottom comprises the “master” axis (which remains parallel to one of the machine’s linear axes at all times), and the rotation mechanism at the top comprises the “slave” axis (which has a varying orientation to the machine’s axes).



NOTE:

When touching off tools or working on the stationary table, make sure the tilt axis is at 0 degrees (A0° or B0°).

302 - MRZP Z Offset Master

This setting defines the distance, in inches or mm, between the master rotary axis center and the Z-Axis machine zero position. This is similar to Setting 257, except that a value in this setting also specifies that the value refers to the master rotary axis. This setting overrides Setting 257.

Master/Slave axis definition: Typically, when (2) rotary axes control the orientation of a table, one rotary mechanism (for example, a rotary table) sits on top of another rotary mechanism (for example, a tilting trunnion). The rotation mechanism at the bottom comprises the “master” axis (which remains parallel to one of the machine’s linear axes at all times), and the rotation mechanism at the top comprises the “slave” axis (which has a varying orientation to the machine’s axes).



NOTE:

When touching off tools or working on the stationary table, make sure the tilt axis is at 0 degrees (A0° or B0°).

303 - MRZP X Offset Slave

This setting defines the distance, in inches or mm, between the slave rotary axis center and the X-Axis machine zero position. This is similar to Setting 255, except that a value in this setting also specifies that the value refers to the slave rotary axis. This setting overrides Setting 255.

Master/Slave axis definition: Typically, when (2) rotary axes control the orientation of a table, one rotary mechanism (for example, a rotary table) sits on top of another rotary mechanism (for example, a tilting trunnion).

The rotation mechanism at the bottom comprises the “master” axis (which remains parallel to one of the machine’s linear axes at all times), and the rotation mechanism at the top comprises the “slave” axis (which has a varying orientation to the machine’s axes).

**NOTE:**

When touching off tools or working on the stationary table, make sure the tilt axis is at 0 degrees ($A0^\circ$ or $B0^\circ$).

304 - MRZP Y Offset Slave

This setting defines the distance, in inches or mm, between the slave rotary axis center and the Y-Axis machine zero position. This is similar to Setting 256, except that a value in this setting also specifies that the value refers to the slave rotary axis. This setting overrides Setting 256.

Master/Slave axis definition: Typically, when (2) rotary axes control the orientation of a table, one rotary mechanism (for example, a rotary table) sits on top of another rotary mechanism (for example, a tilting trunnion). The rotation mechanism at the bottom comprises the “master” axis (which remains parallel to one of the machine’s linear axes at all times), and the rotation mechanism at the top comprises the “slave” axis (which has a varying orientation to the machine’s axes).

**NOTE:**

When touching off tools or working on the stationary table, make sure the tilt axis is at 0 degrees ($A0^\circ$ or $B0^\circ$).

305 - MRZP Z Offset Slave

This setting defines the distance, in inches or mm, between the slave rotary axis center and the Z-Axis machine zero position. This is similar to Setting 257, except that a value in this setting also specifies that the value refers to the slave rotary axis. This setting overrides Setting 257.

Master/Slave axis definition: Typically, when (2) rotary axes control the orientation of a table, one rotary mechanism (for example, a rotary table) sits on top of another rotary mechanism (for example, a tilting trunnion). The rotation mechanism at the bottom comprises the “master” axis (which remains parallel to one of the machine’s linear axes at all times), and the rotation mechanism at the top comprises the “slave” axis (which has a varying orientation to the machine’s axes).

**NOTE:**

When touching off tools or working on the stationary table, make sure the tilt axis is at 0 degrees ($A0^\circ$ or $B0^\circ$).

306 - Minimum Chip Clear Time

This setting specifies the minimum amount of time, in seconds, that the spindle remains at “chip clean speed” (the spindle RPM designated in a canned cycle E command). Add time to this setting if your commanded chip clean cycles do not completely remove the chips from the tool.

310 - Min User Travel Limit A

This setting lets you define a custom user travel limit (UTL) position for the A axis.

1. Make sure the work table is clear of any obstructions and clear all of the other user position settings.
2. Highlight the rotary axis travel limit setting and press **[F3]** to move the axis to the mount position. Do not move the axis until the part or fixture is mounted.
3. Mount the part or fixture to the table in the most NEGATIVE position possible for the selected axis.
4. Jog the axis in the POSITIVE direction to the desired travel limit location. Do not re-zero the machine until all UTL's are set.
5. Highlight the max rotary axis travel limit setting and press **[F2]** to set the travel limit. If the tool change offset is not between the Max Rotary UTL and the Min Rotary UTL, a popup will ask for confirmation about resetting the tool change offset for this axis. The minimum travel limit for this axis is calculated to ensure safe zero return and homing.

Press the **[ORIGIN]** button to set this setting to inactive or set the complete group to inactive.

311 - Min User Travel Limit B

This setting lets you define a custom user travel limit (UTL) position for the B axis.

1. Make sure the work table is clear of any obstructions and clear all of the other user position settings.
2. Highlight the rotary axis travel limit setting and press **[F3]** to move the axis to the mount position. Do not move the axis until the part or fixture is mounted.
3. Mount the part or fixture to the table in the most NEGATIVE position possible for the selected axis.
4. Jog the axis in the POSITIVE direction to the desired travel limit location. Do not re-zero the machine until all UTL's are set.
5. Highlight the max rotary axis travel limit setting and press **[F2]** to set the travel limit. If the tool change offset is not between the Max Rotary UTL and the Min Rotary UTL, a popup will ask for confirmation about resetting the tool change offset for this axis. The minimum travel limit for this axis is calculated to ensure safe zero return and homing.

Press the **[ORIGIN]** button to set this setting to inactive or set the complete group to inactive.

312 - Min User Travel Limit C

This setting lets you define a custom user travel limit (UTL) position for the C axis.

1. Make sure the work table is clear of any obstructions and clear all of the other user position settings.
2. Highlight the rotary axis travel limit setting and press **[F3]** to move the axis to the mount position. Do not move the axis until the part or fixture is mounted.
3. Mount the part or fixture to the table in the most NEGATIVE position possible for the selected axis.
4. Jog the axis in the POSITIVE direction to the desired travel limit location. Do not re-zero the machine until all UTL's are set.
5. Highlight the max rotary axis travel limit setting and press **[F2]** to set the travel limit. If the tool change offset is not between the Max Rotary UTL and the Min Rotary UTL, a popup will ask for confirmation about resetting the tool change offset for this axis. The minimum travel limit for this axis is calculated to ensure safe zero return and homing.

Press the **[ORIGIN]** button to set this setting to inactive or set the complete group to inactive.

313, 314, 315 - Max User Travel Limit X, Y, Z

This setting lets you define a custom travel limit position for the X, Y, and Z axis.

Press the **[ORIGIN]** button to set this setting to inactive or set the complete group to inactive.



NOTE:

This setting is in the User Positions tab under Settings. Refer to the tab description on page 517 for more information.

316 - Max User Travel Limit A

This setting lets you define a custom user travel limit (UTL) position for the A axis.

1. Make sure the work table is clear of any obstructions and clear all of the other user position settings.
2. Highlight the rotary axis travel limit setting and press **[F3]** to move the axis to the mount position. Do not move the axis until the part or fixture is mounted.
3. Mount the part or fixture to the table in the most POSITIVE position possible for the selected axis.

4. Jog the axis in the POSITIVE direction to the desired travel limit location. Do not re-zero the machine until all UTL's are set.
5. Highlight the max rotary axis travel limit setting and press **[F2]** to set the travel limit. If the tool change offset is not between the Max Rotary UTL and the Min Rotary UTL, a popup will ask for confirmation about resetting the tool change offset for this axis. The minimum travel limit for this axis is calculated to ensure safe zero return and homing.

Press the **[ORIGIN]** button to set this setting to inactive or set the complete group to inactive.

317 - Max User Travel Limit B

This setting lets you define a custom user travel limit (UTL) position for the B axis.

1. Make sure the work table is clear of any obstructions and clear all of the other user position settings.
2. Highlight the rotary axis travel limit setting and press **[F3]** to move the axis to the mount position. Do not move the axis until the part or fixture is mounted.
3. Mount the part or fixture to the table in the most NEGATIVE position possible for the selected axis.
4. Jog the axis in the POSITIVE direction to the desired travel limit location. Do not re-zero the machine until all UTL's are set.
5. Highlight the max rotary axis travel limit setting and press **[F2]** to set the travel limit. If the tool change offset is not between the Max Rotary UTL and the Min Rotary UTL, a popup will ask for confirmation about resetting the tool change offset for this axis. The minimum travel limit for this axis is calculated to ensure safe zero return and homing.

Press the **[ORIGIN]** button to set this setting to inactive or set the complete group to inactive.

318 - Max User Travel Limit C

This setting lets you define a custom user travel limit (UTL) position for the C axis.

1. Make sure the work table is clear of any obstructions and clear all of the other user position settings.
2. Highlight the rotary axis travel limit setting and press **[F3]** to move the axis to the mount position. Do not move the axis until the part or fixture is mounted.
3. Mount the part or fixture to the table in the most NEGATIVE position possible for the selected axis.
4. Jog the axis in the POSITIVE direction to the desired travel limit location. Do not re-zero the machine until all UTL's are set.
5. Highlight the max rotary axis travel limit setting and press **[F2]** to set the travel limit. If the tool change offset is not between the Max Rotary UTL and the Min Rotary UTL,

a popup will ask for confirmation about resetting the tool change offset for this axis. The minimum travel limit for this axis is calculated to ensure safe zero return and homing.

Press the **[ORIGIN]** button to set this setting to inactive or set the complete group to inactive.

323 - Disable Notch Filter

When this setting is **ON**, the notch filter values are set to zero. When this setting is **OFF**, it uses the default values of the machine as set defined by parameters. Turning this setting **ON** will improve circular accuracy and turning **OFF** will improve surface finish.



NOTE:

You must cycle power for this setting to take effect.

325 - Manual Mode Enabled

Turning this setting **ON** allows the axes to be jogged without zero returning the machine (finding machine home).

The jog limits imposed by setting 53 Jog W/O Zero Return will not apply. The jog rate will be defined by the eWheel switch or the jog rate buttons (if the eWheel is not connected).

With this setting **ON** you can perform tool changes using the **[ATC FWD]** or **[ATC REV]** buttons.

When turning this setting **OFF** the machine will operate as normal, and will require to be zero return.

330 - MultiBoot Selection Time out

This is a simulator only setting. When a simulator is powered on, it displays a screen from where different simulator models can be chosen. This setting sets how long that screen is shown. If the user does nothing before the time expires, the software will load the last active simulator configuration.

335 - Linear Rapid Mode

This setting can be set to one of three modes. The description of these modes is as follows:

NONE The individual axis rapid to their endpoints independently of each other.

LINEAR (XYZ) The XYZ axes, when commanded to rapid, move linearly through 3D space. All other axis rapid with independent speeds/accelerations.

LINEAR + ROTARY Axes X/Y/Z/A/B/C reach their endpoints at the same time. Rotary axis may be slowed down compared to **LINEAR XYZ**.



NOTE:

All modes cause a program to run in the same amount of time (no increase or decrease in execution time).

356 - Beeper ON/OFF

This setting allows the user to turn ON and OFF the beeper located on the control pendant. Setting a value of 0 will turn OFF the beeper. Setting a value of 1 will turn ON the beeper.



NOTE:

This setting will only affect the pendant beeper, not any pallet change or other beeper.

357 - Warmup Compensation Cycle Start Idle Time

This setting defines an appropriate idle time, in hours, for warmup compensation to be restarted. When a machine has been idle longer than the amount of time in this setting, a **[CYCLE START]** will ask the user if he wishes to apply warmup compensation.

If the user answers with **[Y]** or **[ENTER]**, warmup compensation is applied a new, just as if the machine was powered up and **[CYCLE START]** commences. An **[N]** answer will continue cycle start with no warmup compensation. The next opportunity to apply warmup compensation will be after the setting 357 period has elapsed.

369 - PulseJet Injection Cycle Time

This setting works in conjunction with M161 code, it defines the PulseJet oil pulse cycle time.

Refer to “M161 Pulse Jet Continuous Mode” on page 435 for more information.

370 - PulseJet Single Squirt Count

This setting works in conjunction with M162 and M163, it defines the PulseJet squirt count.

Refer to “M162 PulseJet Single Event Mode” on page 435 and “M163 PulseJet Modal Mode” on page 436 for more information.

372 - Parts Loader Type

This setting turns on the Automatic Parts Loader (APL) in **[CURRENT COMMANDS]** under the Devices tab. Use this page to set up the APL.



DANGER:

*If you turn this setting **[OFF]**, the AW - axis will drop if not supported or disconnected. Do one of the following:*

- Jog to a safe location
- Unplug all APL cables BEFORE releasing E-STOP
- Unplug AW brake BEFORE releasing E-STOP

375 - APL Gripper Type

This setting chooses the type of gripper attached to the Automatic Parts Loader (APL).

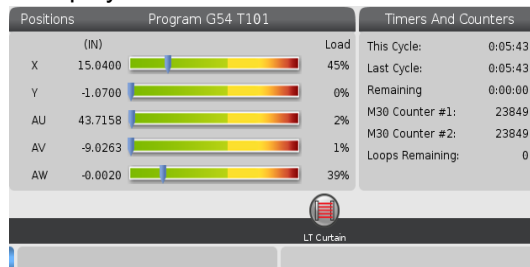
APL Gripper has the functionality of gripping raw and finished parts on an outer diameter or inner diameter, in addition to being able to swap between them.

376 - Light Curtain Enable

This setting enables the Light Curtain. When the Light Curtain is enabled, it will prevent APL motion if it detects something in an area too close to the APL axes.

If the light curtain beam is obstructed the machine will go into a Light Curtain Hold condition; the CNC program will continue to run and the machine's spindle and axes will continue to move but the AU, AV and AW axes will not move. The machine will remain in Light Curtain Hold until the light curtain beam is unobstructed and the Cycle Start button is pressed.

F9.14: Light curtain Icon Display



When the light curtain beam is obstructed the machine will go into a Light Curtain Hold condition and the Light Curtain icon will appear on the screen. The icon will disappear when the beam is no longer obstructed.



NOTE:

You can operate the machine in standalone mode with the light curtain disabled. But the light curtain must be enabled in order to run the APL.

377 - Negative Work Offset

This setting selects the use of work offsets in the negative direction.

Set this setting to On to use negative work offsets to move the axis away from the home position. If set to OFF, then you must use positive work offsets to move the axes away from home position.

378, 379, 380 - Safe Zone Calibrated Geometry Reference Point X, Y, Z

These settings let you define the Safe Zone Calibrated Geometry Reference Point for X, Y and Z axis.

381 - Enable Touchscreen

This setting enables the touchscreen feature on machines built with a touchscreen. If the machine does not have a touch screen a alarm message will be generated at power on.

382 - Disable Pallet Changer

This setting enables/disables the pallet changer on the machine. Machine requires to be in **[E-STOP]** before you can change this setting, after the change you need to cycle the power before the setting can take effect.

If machine has Automatic Pallet Changer and Pallet Pool, setting options are:

- **None** - Nothing is disabled.
- **Pallet Pool:** - Disables only the Pallet Pool.
- **All** - Disables the Automatic Pallet Changer and Pallet Pool.

If machine only has an Automatic Pallet Changer, setting options are:

- **None** - Nothing is disabled.
- **All** - Disables the Automatic Pallet Changer.

If machine only has a Pallet Pool, setting options are:

- **None** - Nothing is disabled.
- **Pallet Pool:** - Disables the Pallet Pool.

383 - Table Row Size

This settings allows you to resize the rows, when using the touchscreen feature.

389 - Vise Unclamped Safety Check

When this setting is set to ON the user is not allowed to press [CYCLE START] with any workhold device that is unclamped.



NOTE:

This setting does not affected the use of a Q code with M71. See table below for more details.

Setting 389	M71 Q-Code	Message on Cycle start	Alarm 9938.001 when is commanded Spindle
Off	Q0	No	Yes
Off	Q1	No	No
On	Q0	Yes	Yes
On	Q1	Yes	No

396 - Enable / Disable Virtual Keyboard

This settings allows you to use a virtual keyboard on the screen, when using the touchscreen feature.

397 - Press and Hold Delay

This settings allows you to set the hold delay before the a pop shows up.

398 - Header Height

This setting adjust the header height for the pop-ups and display boxes.

399 - Tab Height

This setting adjust the height of the tabs.

400 - Pallet Ready Beep Type

This setting adjusts the length of beeps when the automatic pallet changer is in motion or when a completed pallet was dropped off at the load station.

There are three modes:

- Normal: Machines beeps normal.

- Short: Beeps three times and stops.
- Off: No beeps.

403 - Change Popup Button Size

This settings allows you to resize the popup buttons, when using the touchscreen feature.

408 - Exclude Tool From Safe Zone

This setting excludes the tool from the Safe Zone Calculation. Set this setting to On to machine the table for workholding.



NOTE:

When machining close to the edge of the table on a GM-2-5X machine, turn setting 408 On and rotate the C-axis 180 degrees away from the table edge.



NOTE:

This setting will revert back to Off after power cycle.

409 - Default Coolant Pressure

Some machine models are equipped with a variable frequency drive that allows the coolant pump to operate in different coolant pressures. This settings specifies the default coolant pressure when M08 is commanded. The choices are:

- 0 - Low Pressure
- 1 - Normal Pressure
- 2 - High Pressure



NOTE:

A P code can be used with M08 to specify the desired coolant pressure. Refer to the M08 Coolant On section for more information.

416 - Media Destination

This setting allows the user to view media files on a external monitor via the HDMI output on the Main Control PCB.

When this setting is to 0: Built-In Monitor the machine will behave as normal.

When this setting is set to 1: External Monitor a message “See External Monitor” will be displayed on the Media tab.

420 - ATC Button Behavior

This setting determines the behavior of the **[ATC FWD]** or **[ATC REV]** buttons on the control. When this setting is set to Conventional the **[ATC FWD]** or **[ATC REV]** buttons behave as normal.

When set to Enhanced mode the **[ATC FWD]** key will execute a tool change to the next higher tool number into the Pocket Tool Table. It will loop around to the lowest tool number if there is no higher tool number. When in enhanced mode the **[ATC REV]** key will execute a tool change to the next lower tool number into the Pocket Tool Table. It will loop around to the highest tool number if there is no lower tool number.

421 - General Orient Angle

On Mill/Turn machines when a user is using turning tools, the Live Tool Spindle may need to be rotated to a specific direction and the brake clamped after a tool change to properly use the tool. This setting is used on Mill/ Turn machines to save a general orientation offset that will be used by any turning tool.

422 - Lock Graphics Plane

This setting allows you to lock the graphic plane into one specific view. Turn this setting off if you want the control to switch planes in graphics automatically.

423 - Help Text Icon Size

This setting is used to change the size of the text displayed when you click on one of the icons.



NOTE:

This setting is only for machines equipped with touchscreen.

424 - Mist Extractor Condenser Time Out

This setting defines the time in seconds for the mist condenser to shut off after an M00, M01, M02, M30, or End of Program.

430 - Enable - Broken Tool Detection

This setting enables the Broken Tool Detection (BTD) feature on machines with a Side-Mount Tool Changer.

Below are the different operating modes:

- **Disabled** - Broken Tool Detection is disabled and not visible on the **Diagnostic> Maintenance> BTD Calibration**.
- **BTD**- Broken Tool Detection is active. The control will detect a broken tool condition during a tool change.



NOTE:

*The BTM tab will only show on the **Current Commands > Tools > Tool Table** when there is a broken tool detected.*

Scan the QR code below for more BTM operation instructions.

F9.15: Broken Tool Detection - Operation



431 - Region of Interest - Broken Tool Detection

This setting controls the region of interest for the Broken Tool Detection (BTM) feature. It defines the area of the image processed by the BTM algorithm. Instead of editing the setting here, go to the BTM Calibration tab in DIAGNOSTIC>MAINTENANCE>, and perform the adjustments there. Scan the QR code below for BTM Calibration Instructions.

F9.16: Broken Tool Detection - Calibration Instructions



433 - Behavior - Broken Tool Detection

This setting determines the behavior taken when a broken tool is detected using Broken Tool Detection.

Alarm (default) - An alarm will be generated when a broken tool is detected.

Pallet Change - This will behave similar to an M199, where when a broken tool is detected, the next scheduled pallet will be swapped into the machine and the new pallets program will be loaded and run. If no scheduled pallet exists, then the program will end. This behavior requires the program to be running in pallet mode to begin with.

434 - Part Zero Set Uses Tool Offset

This setting changes the way the **[PART ZERO SET]** key works. When this setting is set to **ON** and the **[PART ZERO SET]** key is pressed the machine will compensate the tool length when setting work offset.

For example, set your tool offsets in the normal way. Then touch the tool off on the top of the part. Part zero set will now set the work offset equal to the top of the part. It doesn't matter which tool you use to do this as long as it's tool length is set properly.

This feature is similar to setting 64 "TOOL OFFSET MEASURE USES WORK", but for the Work Offset page.

435 - Indexer Initial Angle A

This setting defines the initial (starting) angular position for the rotary A axis when commanded from the Rotary Indexer incremental move for pre-positioning.



NOTE:

The notes below apply to settings 345 to 440.

- Setting any of the enabled rotary axes Initial Angle or Increment Rotary Indexer User Position settings (435 to 440) to a value enables the Rotary Index functions.
- Indexer Initial Angle settings can have valid value of 0 so it needs to be deactivated with Origin to "disable" the value.
- Indexer Incremental Angle settings are disabled if the value is equal to 0.
- Legacy setting 164 value will be used for fourth axis increments without any initial angle if and only if the User Positions are disabled (backwards compatibility).

436 - Indexer Incremental Angle A

This setting defines the incremental angular distance for the rotary A axis when commanded from the Rotary Indexer incremental move after initial positioning.



NOTE:

See setting 435 for more details.

437 - Indexer Initial Angle B

This setting defines the initial (starting) angular position for the rotary B axis when commanded from the Rotary Indexer incremental move for pre-positioning.



NOTE:

See setting 435 for more details.

438 - Indexer Incremental Angle B

This setting defines the incremental angular distance for the rotary B axis when commanded from the Rotary Indexer incremental move after initial positioning.



NOTE:

See setting 435 for more details.

439 - Indexer Initial Angle C

This setting defines the initial (starting) angular position for the rotary C axis when commanded from the Rotary Indexer incremental move for pre-positioning.



NOTE:

See setting 435 for more details.

440 - Indexer Incremental Angle C

This setting defines the incremental angular distance for the rotary C axis when commanded from the Rotary Indexer incremental move after initial positioning.



NOTE:

See setting 435 for more details.

9.2 Network Connection

You can use a computer network through a wired connection (Ethernet) or a wireless connection (WiFi) to transfer program files to and from your Haas machine, and to let multiple machines access files from a central network location. You can also set up Net Share to quickly and easily share programs between the machines in your shop and the computers on your network.

To access the Network page:

1. Press **[SETTING]**.
2. Select the **Network** tab in the tabbed menu.
3. Select the tab for the network settings (**Wired Connection**, **Wireless Connection**, or **Net Share**) that you want to set up.

F9.17: Wired Network Settings Page Example

Settings And Graphics			
Graphics	Settings	Network	Notifications
Wired Connection		Wireless Connection	Net Share
Wired Network Information			
Host Name	HAASMachine	DHCP Server	*
Domain		IP Address	*
DNS Server	*	Subnet Mask	*
Mac Address		Gateway	
DHCP Enabled	OFF	Status	UP
NAME		VALUE	
Wired Network Enabled	>		On
Obtain Address Automatically	>		Off
IP Address			
Subnet Mask			
Default Gateway			
DNS Server			
Warning: Changes will not be saved if page is left without pressing [F4]!			
F3 Discard Changes		F4 Apply Changes	











NOTE:

Settings with a > character in the second column have preset values that you select from. Press the **[RIGHT]** cursor arrow key to see the list of options. Use the **[UP]** and **[DOWN]** cursor arrow keys to choose an option, and then press **[ENTER]** to confirm your choice.

9.2.1 Network Icon Guide

The control screen shows icons to quickly give you information about the machine network status.

Icon	Meaning
	<p>The machine is connected to the Internet via a wired network with an Ethernet cable.</p>
	<p>The machine is connected to the Internet via a wireless network and has 70 - 100% signal strength.</p>
	<p>The machine is connected to the Internet via a wireless network and has 30 - 70% signal strength.</p>
	<p>The machine is connected to the Internet via a wireless network and has 1 - 30% signal strength.</p>
	<p>The machine was connected to the Internet via a wireless network and is not receiving any data packets.</p>

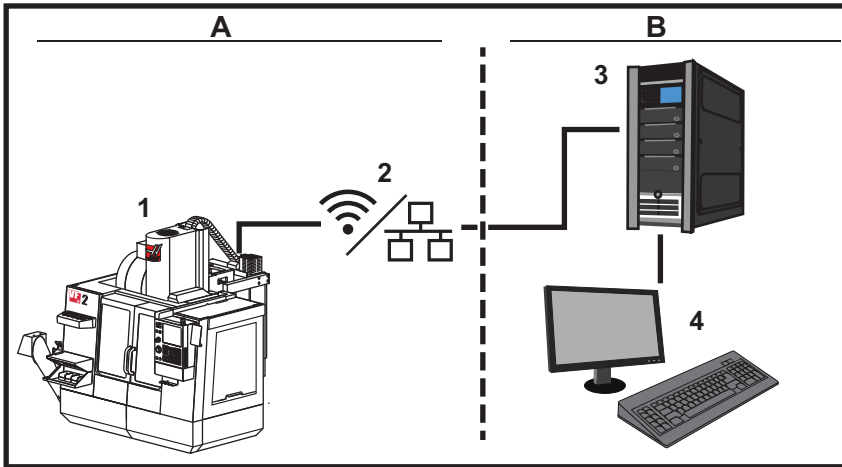
Icon	Meaning
	<p>The machine is successfully registered with HaasConnect and is communicating with the server.</p>
	<p>The machine had previously registered with HaasConnect and has a problem connecting to the server.</p>
	<p>The machine is connected to a remote Netshare.</p>

9.2.2 Network Connection Terms and Responsibilities

Networks and operating systems are different from company to company. When your HFO Service Technician installs your machine, they can attempt to connect it to your network with your information, and they can troubleshoot connection problems with the machine itself. If the problem is with your network, you need a qualified IT service provider to assist you, at your expense.

If you call your HFO for help with network problems, remember that the technician can help only as far as the machine software and networking hardware.

F9.18: Network Responsibility Diagram: [A] Haas Responsibility, [B] Your Responsibility, [1] Haas Machine, [2] Haas Machine Network Hardware, [3] Your Server, [4] Your computer(s).



9.2.3 Wired Connection Setup

Before you begin, ask your network administrator if your network has a Dynamic Host Configuration Protocol (DHCP) server. If it does not have a DHCP server, collect this information:

- The IP address that your machine will use on the network
 - The Subnet Mask address
 - The Default Gateway address
 - The DNS Server name
1. Connect an active Ethernet cable to the Ethernet port on your machine.
 2. Select the **Wired Connection** tab in the **Network** tabbed menu.
 3. Change the **Wired Network Enabled** setting to ON.
 4. If your network has a DHCP server, you can let the network assign an IP address automatically. Change the **Obtain Address Automatically** setting to ON, and then press **[F4]** to complete the connection. If your network does not have a DHCP server, go to the next step.
 5. Type the machine's **IP Address**, the **Subnet Mask** address, the **Default Gateway** address, and the **DNS Server** name into their respective fields.
 6. Press **[F4]** to complete the connection, or press **[F3]** to discard your changes.

After the machine successfully connects to the network, the **Status** indicator in the **Wired Network Information** box changes to UP.

9.2.4 Wired Network Settings

Wired Network Enabled - This setting activates and deactivates wired networking.

Obtain Address Automatically - Lets the machine retrieve an IP address and other network information from the network's Dynamic Host Configuration Protocol (DHCP) server. You can use this option only if your network has a DHCP server.

IP Address - The machine's static TCP/IP address on a network without a DHCP server. Your network administrator assigns this address to your machine.

Subnet Mask - Your network administrator assigns the subnet mask value for machines with a static TCP/IP address.

Default Gateway - An address to gain access to your network through routers. Your network administrator assigns this address.

DNS Server - The name of the Domain Name Server or DHCP server on the network.



NOTE:

The address format for Subnet Mask, Gateway, and DNS is XXX.XXX.XXX.XXX. Do not end the address with a period. Do not use negative numbers. 255.255.255.255 is the highest possible address.

9.2.5 Wireless Connection Setup

This option lets your machine connect to a 2.4 GHz, 802.11b/g/n wireless network. 5 GHz is not supported.

Wireless network setup uses a wizard to scan for available networks and then set up the connection with your network information.

Before you begin, ask your network administrator if your network has a Dynamic Host Configuration Protocol (DHCP) server. If it does not have a DHCP server, collect this information:

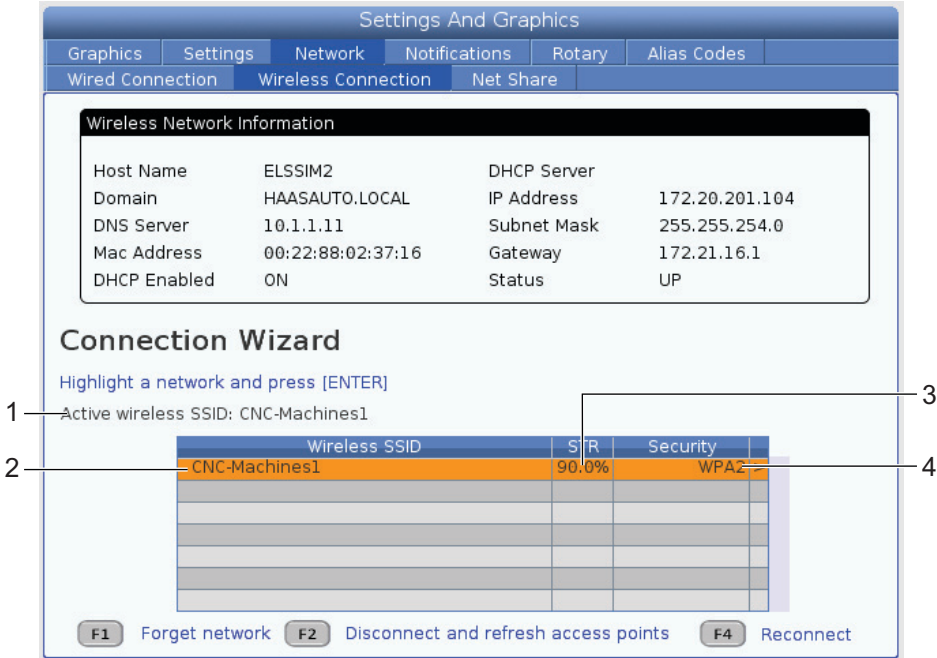
- The IP address that your machine will use on the network
- The Subnet Mask address
- The Default Gateway address
- The DNS Server name

You also need this information:

- The SSID for your wireless network
 - The password to connect to your secured wireless network
1. Select the **Wireless Connection** tab in the **Network** tabbed menu.
 2. Press **[F2]** to scan for available networks.

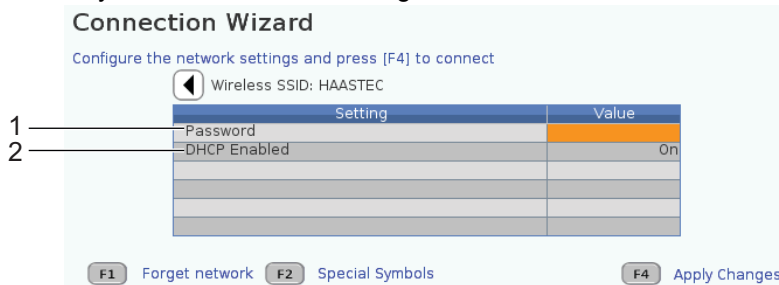
The Connection Wizard displays a list of available networks, with their signal strengths and security types. The control supports 64/128 WEP, WPA, WPA2,TKIP, and AES security types.

F9.19: Connection Wizard List Display. [1] Current Active Network Connection (if any), [2] Network SSID, [3] Signal Strength, [4] Security Type.



- Use the cursor arrow keys to highlight the network you want to connect to.
- Press **[ENTER]**.
The network settings table appears.

F9.20: Network Settings Table. [1] Password Field, [2] DHCP Enable / Disable. Further options appear when you turn the DHCP Setting OFF.



- Type the access point password in the **Password** field.

**NOTE:**

If you need special characters such as underscores (_) or carets (^) for the password, press [F2] and use the menu to select the special character you need.




6. If your network does not have a DHCP server, change the **DHCP Enabled** setting to **OFF** and type the IP Address, Subnet Mask, Default Gateway, and DNS Server Address into their respective fields.
7. Press **[F4]** to complete the connection, or press **[F3]** to discard your changes.

After the machine successfully connects to the network, the **Status** indicator in the **Wired Network Information** box changes to **UP**. The machine will also automatically connect to this network when it is available, unless you press F1 and confirm to “forget” the network.

The possible status indicators are:

- **UP** - The machine has an active connection to a wireless network.
- **DOWN** - The machine does not have an active connection to a wireless network.
- **DORMANT** - The machine is waiting for an external action (typically, waiting for authentication with the wireless access point).
- **UNKNOWN** - The machine cannot determine the connection status. A bad link or incorrect network configuration can cause this. You may also see this status while the machine transitions between statuses.

Wireless Network Function Keys

Key	Description
	Forget network - Highlight a network and press [F1] to remove all connection information and prevent automatic reconnection to this network.
	Scan for network and Disconnect and refresh access points - In the network selection table, press [F2] to disconnect from the current network and scan for available networks. Special Symbols - In the wireless network settings table, use [F2] to access special characters, such as carets or underscores, for password entry.
	Reconnect - Connect again to a network the machine was previously connected to. Apply Changes - After you make changes to settings for a particular network, press [F4] to save the changes and connect to the network.

9.2.6 Wireless Network Settings

Wireless Network Enabled - This setting activates and deactivates wireless networking.

Obtain Address Automatically - Lets the machine retrieve an IP address and other network information from the network's Dynamic Host Configuration Protocol (DHCP) server. You can use this option only if your network has a DHCP server.

IP Address - The machine's static TCP/IP address on a network without a DHCP server. Your network administrator assigns this address to your machine.

Subnet Mask - Your network administrator assigns the subnet mask value for machines with a static TCP/IP address.

Default Gateway - An address to gain access to your network through routers. Your network administrator assigns this address.

DNS Server - The name of the Domain Name Server or DHCP server on the network.



NOTE:

The address format for Subnet Mask, Gateway, and DNS is XXX.XXX.XXX.XXX. Do not end the address with a period. Do not use negative numbers. 255.255.255.255 is the highest possible address.

Wireless SSID - The name of the wireless access point. You can enter this manually, or you can press the LEFT or RIGHT cursor arrow keys to select from a list of available networks. If your network does not broadcast its SSID, you must enter this manually.

Wireless Security - The security mode that your wireless access point uses.

Password - The password for the wireless access point.

9.2.7 Net Share Settings

Net Share lets you connect remote computers to the machine control over the network, to transfer files to and from the machine's User Data directory. These are the settings you need to adjust to set up Net Share. Your network administrator can give you the correct values to use. You must enable remote sharing, local sharing, or both to use Net Share.

After you change these settings to the correct values, press **[F4]** to begin Net Share.



NOTE:

If you need special characters such as underscores (_) or carets (^) for these settings, refer to page 71 for instructions.

CNC Network Name - The name of the machine on the network. The default value is **HAASMachine**, but you must change this so that each machine on the network has a unique name.

Domain / Workgroup Name - The name of the domain or workgroup the machine belongs to.

Remote Net Share Enabled - When this is **ON**, the machine shows the contents of the shared network folder in the **Network** tab in the Device Manager.

Remote Server Name - The remote network name or IP address of the computer that has the share folder.

Remote Share Path - The name and location of the shared remote network folder.

**NOTE:**

Do not use spaces in the shared folder name.

Remote User Name - The name to use to log in to the remote server or domain. User names are case-sensitive and cannot contain spaces.

Remote Password - The password to use to log in to the remote server. Passwords are case-sensitive.

Remote Share Connection Retry - This setting adjust the Remote NetShare connection retry behavior.

**NOTE:**

*The higher levels of this setting can cause intermittent user interface to freeze. If not using Wi-Fi connection all the time always set this setting to **Relaxed**.*

Local Net Share Enabled - When this is **ON**, the machine allows access to the **User Data** directory to computers on the network (password required).

Local User Name - Displays the user name to log into the control from a remote computer. The default value is **.\haas**; you cannot change this.

Local Password - The password for the user account on the machine.

**NOTE:**

You need the local user name and password to access the machine from an outside network.

Net Share Example

In this example, you have established a net share connection with the **Local Net Share Enabled** setting turned **ON**. You want to view the contents of the machine's **User Data** folder on a networked PC.



NOTE:

This example uses a Windows 7 PC; your configuration may vary. Ask your network administrator for help if you cannot establish a connection.

1. On the PC, click the START menu and select the RUN command. You can also hold the Windows key and press R.
2. At the Run prompt, type (2) backslashes (\\) and then the machine's IP address or CNC Network Name.
3. Click OK or press Enter.
4. Type the machine's **Local User Name** (.\\haas) and **Local Password** in the appropriate fields, and then click OK or press Enter.
5. A window appears on the PC with the machine's **User Data** folder displayed. You can interact with the folder as you would with any other Windows folder.



NOTE:

If you use the machine's CNC Network Name instead of the IP address, you may need to type a period and backslash before the User Name (.\\haas). If you cannot change the username in the Windows prompt, select the "Use another account" option first.

9.2.8 Haas Drop

The HaasDrop application is used for sending files from a iOs or Android device to the control (NGC) on a Haas Machine.

The procedure is located on the website click on the following link: [Haas Drop - Help](#)

You can also scan the code below with your mobile device to go directly to the procedure



9.2.9 Haas Connect

HaasConnect is a web-based application that lets you monitor your shop with a web browser or mobile device. To use HaasConnect, you set up an account [at myhaascnc.com](http://myhaascnc.com), add users and machines, and designate the alerts you want to receive. For more information about HaasConnect, go to www.haascnc.com or scan the QR code below with your mobile device.



9.2.10 Remote Display View

This procedure tells you how to view the machine display on a computer. The machine must be connected to a network with an Ethernet cable or with a wireless connection.

Refer to the Networking Connection section on page **501** for information on how to connect your machine to a network.

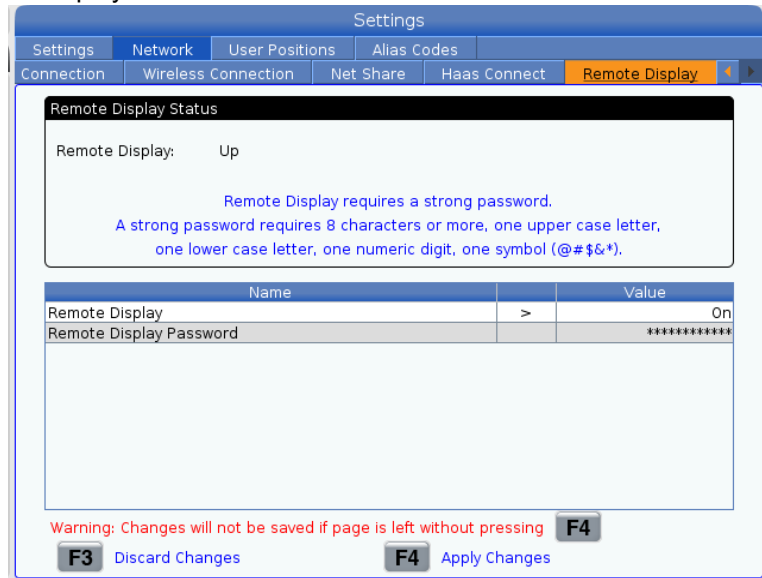


NOTE:

You must download the VNC Viewer to your computer. Go to www.realvnc.com to download the free VNC Viewer.

1. Push the **[SETTING]** button.
2. Navigate to the Wired Connection or Wireless Connection tab in the Network tab.
3. Write down the IP Address for your machine.

4. Remote Display Tab



NOTE:

The Remote Display tab is available in software version 100.18.000.1020 or higher.

5. Navigate to the Remote Display tab in the Network tab.
6. Turn **ON** the Remote Display.
7. Set the Remote Display Password.



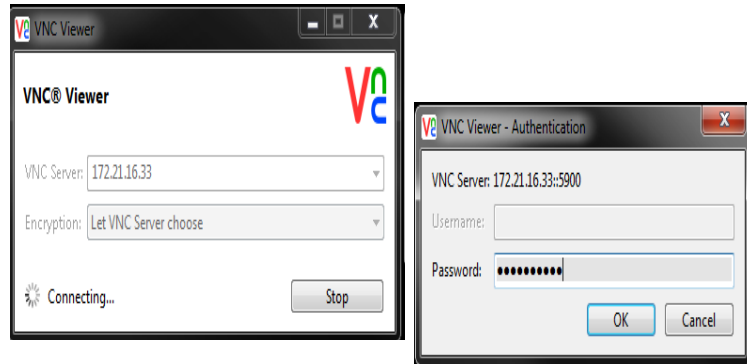
NOTE:

The Remote Display feature requires a strong password, follow the guide lines on the screen.

Press **[F4]** to apply settings.

8. Open the VNC Viewer application on your computer.

9. VNC Software Screen



Enter your IP Address in VNC Server. Select **Connect**.

10. At the login box enter the password you entered at the Haas control.
11. Select **OK**.
12. The machine display shows on your computer screen

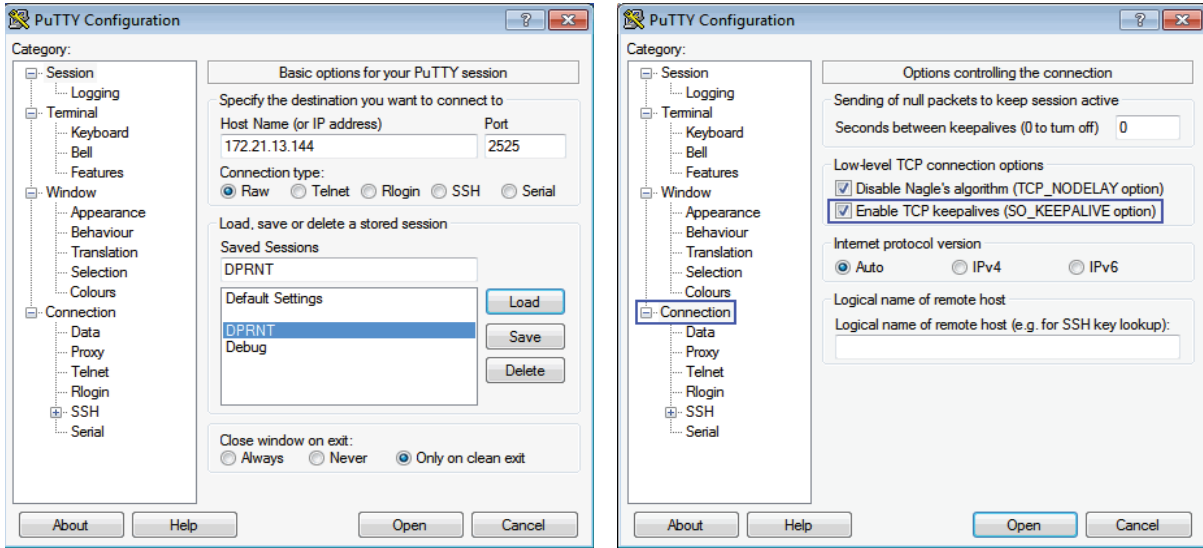
9.2.11 Machine Data Collection

Machine Data Collection (MDC) lets you use Q and E commands to extract data from the control through the Ethernet port or the Wireless Networking option. Setting 143 both enables the feature and specifies the data port that the control uses to communicate. MDC is a software-based feature that requires an additional computer to request, interpret, and store data from the control. The remote computer can also set certain Macro variables.

The Haas control uses a TCP server to communicate over networks. On the remote computer, you can use any terminal program that supports TCP; examples in this manual use PuTTY. Up to (2) simultaneous connections are allowed. Output requested by one connection is sent to all connections.

1. In the basic options section, type the machine's IP address and the port number in Setting 143. Setting 143 must have a nonzero value to use MDC.
2. Select the Raw or Telnet connection type.
3. Click "Open" to start the connection.

F9.21: PuTTY can save these session options for subsequent connections. To keep the connection open, select "Enable TCP keepalives" in the "Connection" options.



To check the connection, type `?Q100` in the PuTTY terminal window. If the connection is active, the machine control responds with `SERIAL NUMBER, XXXXXX`, where `XXXXXX` is the machine's actual serial number.

Data Collection Queries and Commands

The control responds to a Q command only when Setting 143 has a nonzero value.

MDC Queries

These commands are available:

T9.1: MDC Queries

Command	Definition	Example
Q100	Machine Serial Number	>Q100 SERIAL NUMBER, 3093228
Q101	Control Software Version	>Q101 SOFTWARE, VER 100.16.000.1041
Q102	Machine Model Number	>Q102 MODEL, VF2D
Q104	Mode (LIST PROG, MDI, etc.)	>Q104 MODE, (MEM)
Q200	Tool Changes (total)	>Q200 TOOL CHANGES, 23

Command	Definition	Example
Q201	Tool Number in use	>Q201 USING TOOL, 1
Q300	Power-on Time (total)	>Q300 P.O. TIME, 00027:50:59
Q301	Motion Time (total)	>Q301 C.S. TIME, 00003:02:57
Q303	Last Cycle Time	>Q303 LAST CYCLE, 000:00:00
Q304	Previous Cycle Time	>Q304 PREV CYCLE, 000:00:00
Q402	M30 Parts Counter #1 (resettable at control)	>Q402 M30 #1, 553
Q403	M30 Parts Counter #2 (resettable at control)	>Q403 M30 #2, 553 STATUS, BUSY (if in cycle)
Q500	Three-in-one (PROGRAM, Oxxxx, STATUS, PARTS, xxxxx)	>PROGRAM, O00110, IDLE, PARTS, 4523
Q600	Macro or system variable	>Q600 801 MACRO, 801, 333.339996

You can request the contents of any macro or system variable with the **Q600** command; for example, **Q600 xxxx**. This shows the contents of macro variable **xxxx** on the remote computer.

Query Format

The correct query format is **?Q###**, where **###** is the query number, terminated with a new line.

Response Format

Responses from the control begin with **>** and end with **/r/n**. Successful queries return the name of the query, then the requested information, separated by commas. For example, a query of **?Q102** returns **MODEL, XXX**, where **XXX** is the machine model. The comma lets you treat the output as comma-separated variable (CSV) data.

An unrecognized command returns a question mark followed by the unrecognized command; for example, **?Q105** returns **?, ?Q105**.

E Commands (Write to Variable)

You can use an **E** command to write to any writable macro variable, but we suggest only writing to variables **#1-33** and **#10000-#10999**, as values outside this range are set aside for other purposes.



NOTE:

Macro variables #10550-#10580 are unavailable if the mill has a probing system. See the Operator's Manual for a list of available system variables.

The correct E Command format is “?Exxxx yyyyyy.yyyyyy” where xxxx is the macro variable and yyyyyy.yyyyyy is the new value. Control will respond to Exxxx yyyyyy.yyyyyy command with either '!' character if macro could be set or with '?' if it can not set. Set if within the valid range of 6 digits negative or 6 digits positive.



NOTE:

When you write to a global variable, make sure that no other programs on the machine use that variable.



CAUTION:

Use extreme caution when you write to a system variable. Incorrect values for a system variable can cause damage to the machine.

9.3 User Positions

This tab collects settings that control user-defined positions such as second home, tool change mid-positions, spindle center line, tailstock and travel limits. Refer to the Settings section of this manual for more information about these position settings.

F9.22: User Positions Tab

Settings

Settings
Network
Rotary
User Positions
Alias Codes

Search (TEXT) [F1], or [F1] to clear.

Group	
Second Home Position	v
Tool Change Mid Position	v
User Travel Limit	v



CAUTION:

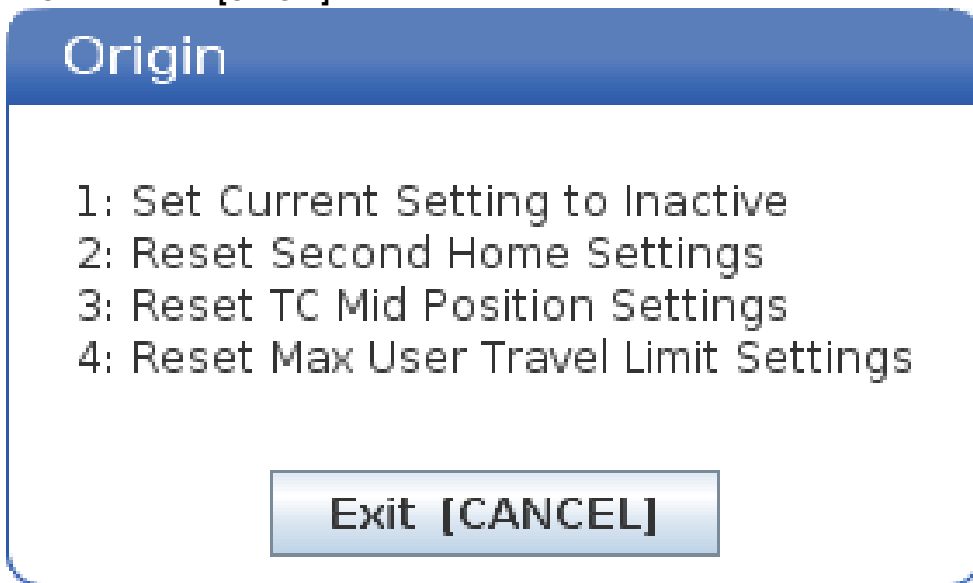
Incorrectly set user positions can cause machine crashes. Set user positions with caution, especially after you have changed your application in some way (new program, different tools, etc.). Verify and change each axis position separately.

To set a user position, jog the axis into the position you want to use, and then press F2 to set the position. If the axis position is valid, a crash warning appears (except for user travel limits). After you verify that you want to make the change to the position, the control sets the position and makes the setting active.

If the position is not valid, the message bar at the bottom of the screen gives a message to explain why the position is not valid.

To inactivate and reset user position settings, press ORIGIN while the user positions tab is active, then choose from the menu that appears.

F9.23: User Positions [ORIGIN] Menu



1. Press **[1]** to remove the value of the currently selected position setting and make it inactive.
2. Press **[2]** to remove the values of all second home position settings and make them inactive.
3. Press **[3]** to remove the values of all Tool Change Mid-Position settings and make them inactive.
4. Press **[4]** to remove the values of all Max User Travel Limit settings and make them inactive.
5. Press **[CANCEL]** to exit the menu without making changes.

9.4 More Information Online

For updated information, including tips, tricks, maintenance procedures, and more, visit the Haas Service page at www.HaasCNC.com.

For the most current Operator's and Service Manuals scan the code below with your mobile device:



Chapter 10: Other Equipment

10.1 More Information Online

For updated information, including tips, tricks, maintenance procedures, and more, visit the Haas Service page at www.HaasCNC.com.

For the most current Operator's and Service Manuals scan the code below with your mobile device:



Index

#

5-Axis Tool Length Compensation + 379

A

absolute positioning (G90)
 versus incremental 190

Active Codes 64

active program 109

active tool display 65

Advanced Tool Management (ATM) 124

 macros and 128

 tool group usage 127

APL

 APL Enable 493

auto door (option)

 override 37

axis motion

 absolute versus incremental 190

 circular 198

 linear 197

B

background edit 181

beacon light

 status 37

Block Delete 42

block selection 179

BT tooling 123

C

Calculators

 Milling / Turning 59

 Standard 57

 Tapping 59

Canned Cycles

 Boring and Reaming 210

 Drilling 209

 R Planes 210

 Tapping 209

canned cycles

 general information 303

check box selection 109

circular interpolation 198

control display

 active codes 55

 active tool 65

 basic layout 50

 offsets 53

control pendant 36, 37

 USB port 37

coolant

 operator override 49

 setting 32 and 453

coolant gauge 66

counters

 reset 54

create a container

 unzip files 108

 zip files 108

CT tooling 123

Current commands 53

cutter compensation

 circular interpolation and 206

 entry and exit 203

 feed adjustments 204

 general description 200

 improper application example 204

 Setting 58 and 200

D	
device manager	
create new program	107
edit	110
file display	106
operation	105
device manager (List Program)	104
directory	
create new	111
display	
axis positions	69
settings	64
distance to go position	69
drilling canned cycles	209
dynamic work offset (G254)	401
E	
edit keys	178
editing	
highlight code	178
editor	181
Edit menu	183
File menu	183
Modify menu	185
pull-down menu	182
Search menu	184
Error Report Shift F3	112
F	
Fanuc	200
Feature List	221
200-hour tryout	222
Enable/Disable	222
feed adjustments	
in cutter compensation	204
feed hold	
as override	49
file	
deletion	111
file display columns	106
file selection	
multiple	109
G	
G253	400
G268 / G269	405
G-codes	298
cutting	197
graphics mode	174
H	
Haas Connect	511
Haas Robot	
FANUC DCS	12
installation	11
HaasDrop	510
help function	82
high-speed SMTC	
heavy tools and	148
I	
incremental positioning (G91)	
versus absolute	190
input	
special symbols	112
input bar	70
interpolation motion	
circular	198
linear	197
J	
jog mode	164
K	
keyboard	
alpha keys	46
cursor keys	40
display keys	41
function keys	39
jog keys	47
key groups	38
mode keys	41
numeric keys	45
override keys	48
L	
LCD Touchscreen - maintenance	82
LCD Touchscreen - navigation	76
LCD Touchscreen - overview	74
LCD Touchscreen - program editing	81

LCD Touchscreen - selectable boxes	78	tion	270
LCD Touchscreen - Virtual Keyboard	80	1-bit discrete outputs	275
line numbers		aliasing	293
remove all	185	arguments	253
linear interpolation.....	197	block look ahead and block delete	251
LIST PROGRAM display	105	DPRNT	289
local subprograms (M97).....	215	DPRNT editing	291
locate the last program error	120	DPRNT execution	291
M		DPRNT formatted output	289
M30 counters	67	DPRNT settings.....	290
machine data		G65 macro subprogram call	292, 344
back up and recover.....	113	global variables	257
Machine Data Collection.....	513	introduction.....	248
machine position.....	69	local variables	256
machine power-up	103	look ahead.....	250
machine restore		macro variable display	251
full data	117	macro variable table	257
selected data	118	round off	250
machine rotary zero point (MRZP)	240	setting aliasing	294
macro variables		system variables	257
axis position	270	system variables in-depth	264
Macros		timers and counters window	252
#3000 programmable alarm.....	266	useful g- and m-codes.....	249
#3001-#3002 timers	267	variable usage.....	276
#3006 programmable stop.....	268	macros	
#3030 single block	269	M30 counters and	67
#5041-#5046 current work coordinate posi-		variables	255
		main spindle display.....	73
		manual data input (MDI).....	180
		save as numbered program.....	180
		material	
		fire risk.....	8
		M-code relays	
		with M-fin	416
		M-codes	410
		coolant commands	197
		program stop.....	196
		spindle commands	196
		media display	60
		memory lock.....	37
		mode display	51

N	
Network Connection	501
Icons	502
Net Share Setting	508
Wired Connection	504
Wired Network Settings	505
Wireless Connection Setup	505
new program	107
O	
offset	
tool	194
work	194
offsets	
display	53
operating modes	51
operation	
unattended	8
operator position	69
optional stop	412
overrides	49
disabling	49
P	
Pallet Changer	
maximum weight	153
pallet schedule table	156
recovery	157
warnings	153
part setup	164
set a tool offset	169
set a work offset	171
setting offsets	164
work offsets	170
position display	69
positioning	
absolute vs. incremental	190
positions	
distance to go	69
machine	69
operator	69
work (G54)	69
probe	
troubleshooting	232
probing	227
program	
active	109
basic search	119
duplication	111
rename	111
programming	
background edit	181
basic example	186
safe startup line	188
subprograms	212
R	
r plane	210
Rapid Mode	491
remote jog handle (RJH-Touch)	
manual jogging	161
mode menu	160
overview	159
tool offsets	162
work offsets	163
rotary	
axis disable / enable	238
configuring new	233
custom configuration	236
grid offset	237
tool change offset	237
rotary offset	
tilt center	246
run-stop-jog-continue	172
S	
safe mode	120
safe startup line	188
safety	
decals	16
door interlock	6
during operation	4
electrical	4
glass window	6
inspection	6
introduction	1
part loading/unloading	6
robot cells	10

safety decals		timer and counters display	
standard layout	16	reset.....	54
symbol reference.....	17	timers and counters display	67
safety information	21	Tool Center Point Control	395
search		tool center point control.....	395, 397
find / replace.....	184	G54 and.....	398
second home	37	rotary setup and.....	239
selection		tool change offset	
multiple blocks	179	rotary.....	237
Setting 28.....	304	tool changer	143
setup mode	8	safety	152
keyswitch.....	37	tool management tables	
side-mount tool changer (SMTC)		save and restore	129
door panel.....	152	tool offset.....	194
extra-large tools	149	tool table.....	145
moving tools	149	Tool Usage Display.....	130
recovery	151	tooling	
zero pocket designation	148	pull studs.....	124
special G-codes		Tnn code.....	196
engraving.....	211	tool holder care.....	124
mirror image.....	211	tool holders.....	123
pocket milling.....	211		
rotation and scaling.....	211	U	
special symbols	112	umbrella tool changer	
spindle load meter.....	73	loading.....	149
spindle orientation (M19)	226	recovery.....	150
spindle safety limit.....	14	unattended operation	8
spindle warm-up	104	user positions	517
subprograms.....	212		
external	212	W	
local.....	215	work (G54) position.....	69
		work offset	194
T		macros and.....	271
tabbed menus		Workholding	
basic navigation	73	e-vise setup	134
table workholding.....	496	hydraulic vise setup	137
tapping canned cycles	209	overview	133
text		pneumatic vise setup	141
find / replace.....	184	workholding.....	164
selection	179	safety and	5
Through-Spindle Coolant.....	47		
drilling cycle and.....	209		
M-code.....	425		
tilt axis			
center of rotation offset	246		

