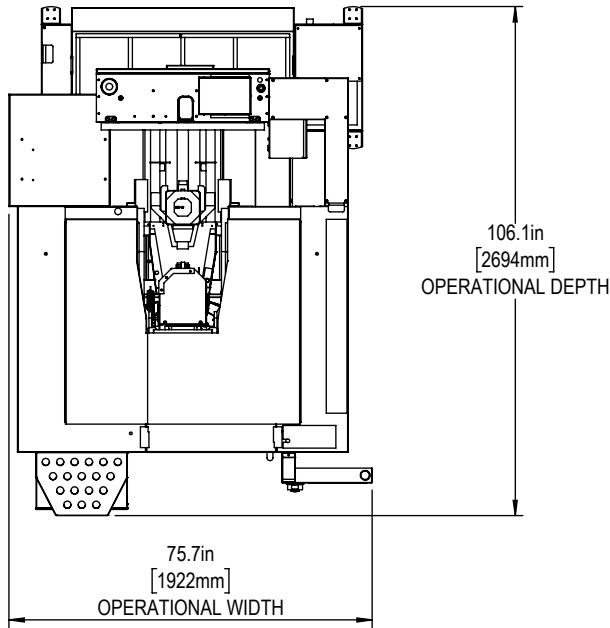
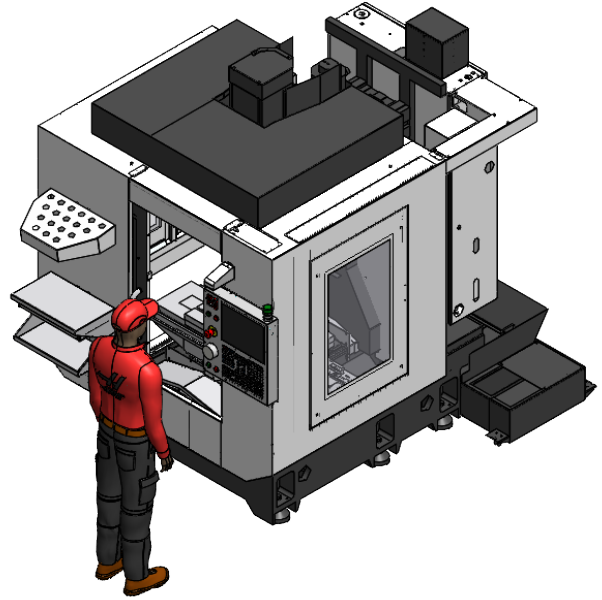
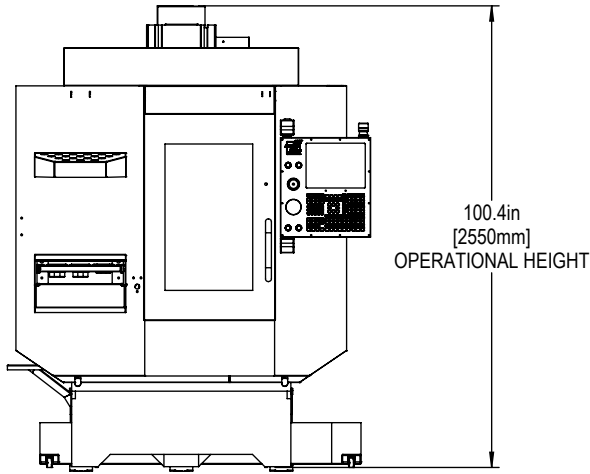
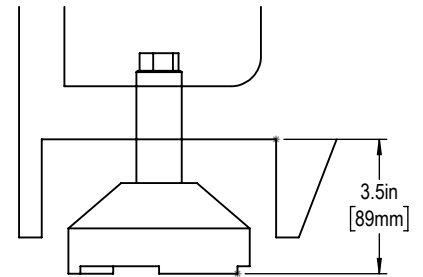




Installed Dimensions

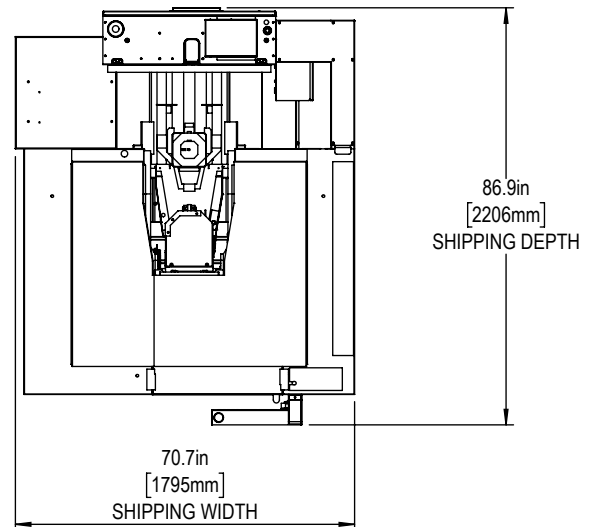
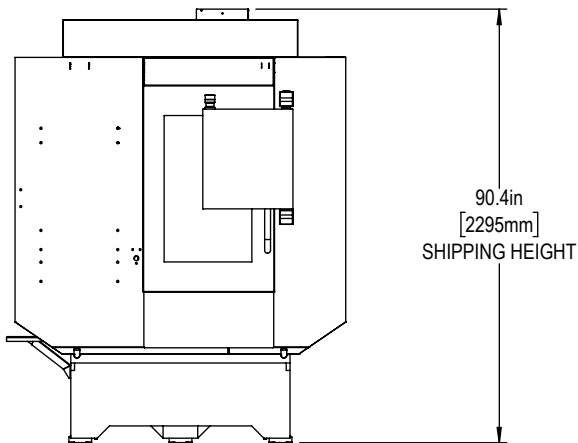


Leveling Pad Height

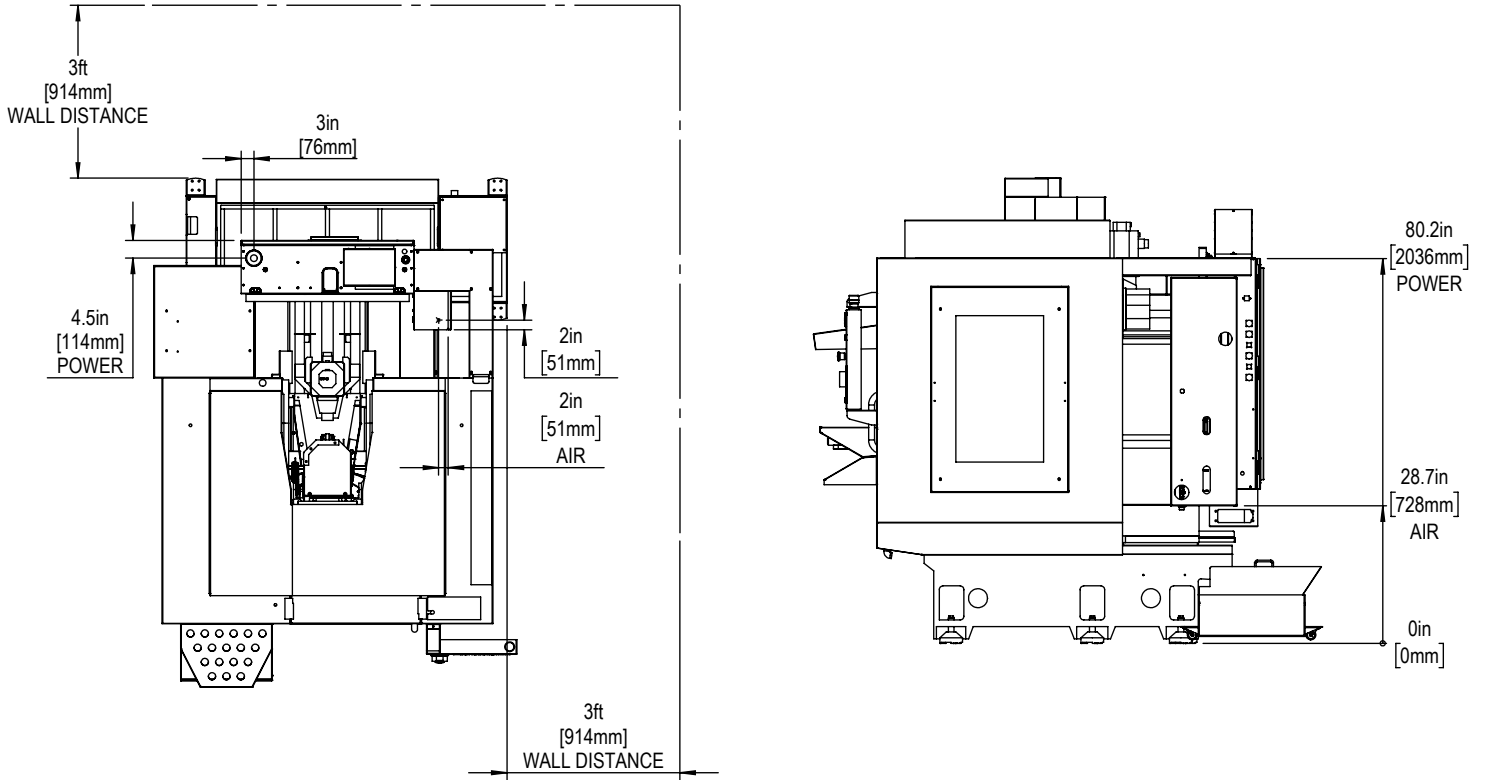


*All Height Dimensions Based on Suggested Leveling Pad Height

Shipping Dimensions



Air & Power

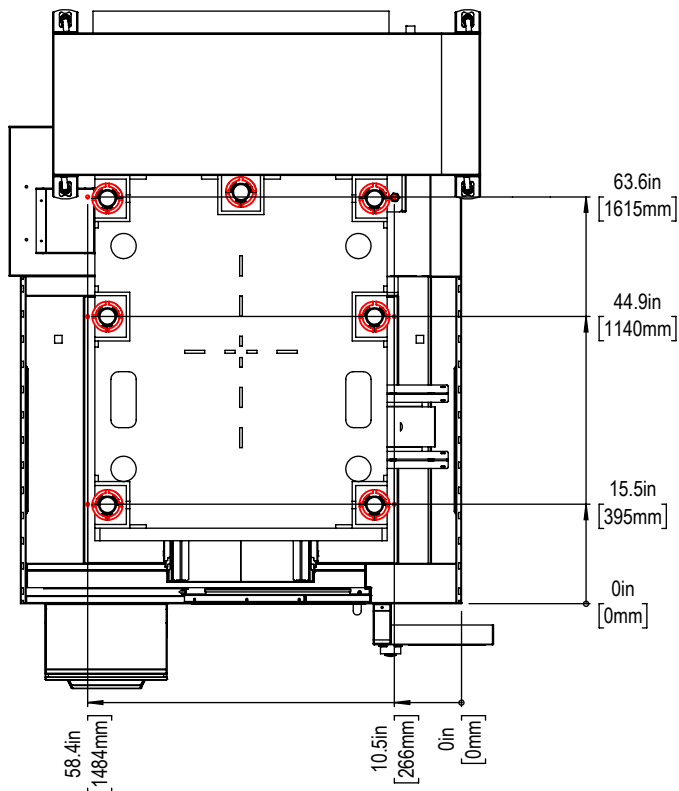


Maintain 3 feet [915mm] clearance to the nearest obstruction around all sides of machine perimeter for maintenance access

Note:
Machine must be placed on one continuous concrete slab. Slab should extend 12in [305mm] beyond anchor holes in all directions

Anchor Pattern

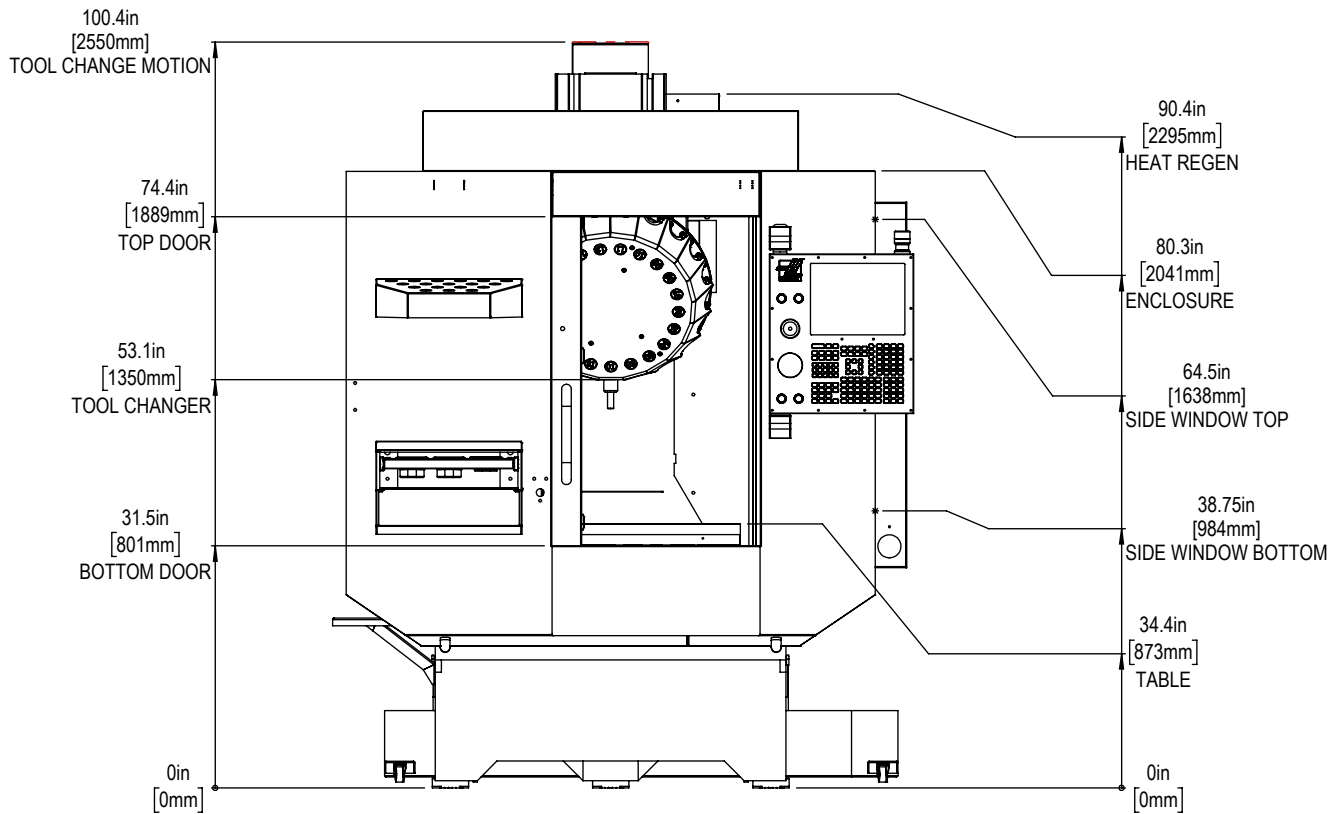
Anchor Hole Detail
 Ø 0.625in [25mm]
 ▽ 2.0in [50mm]-
 ▽ 2.25in [57mm]



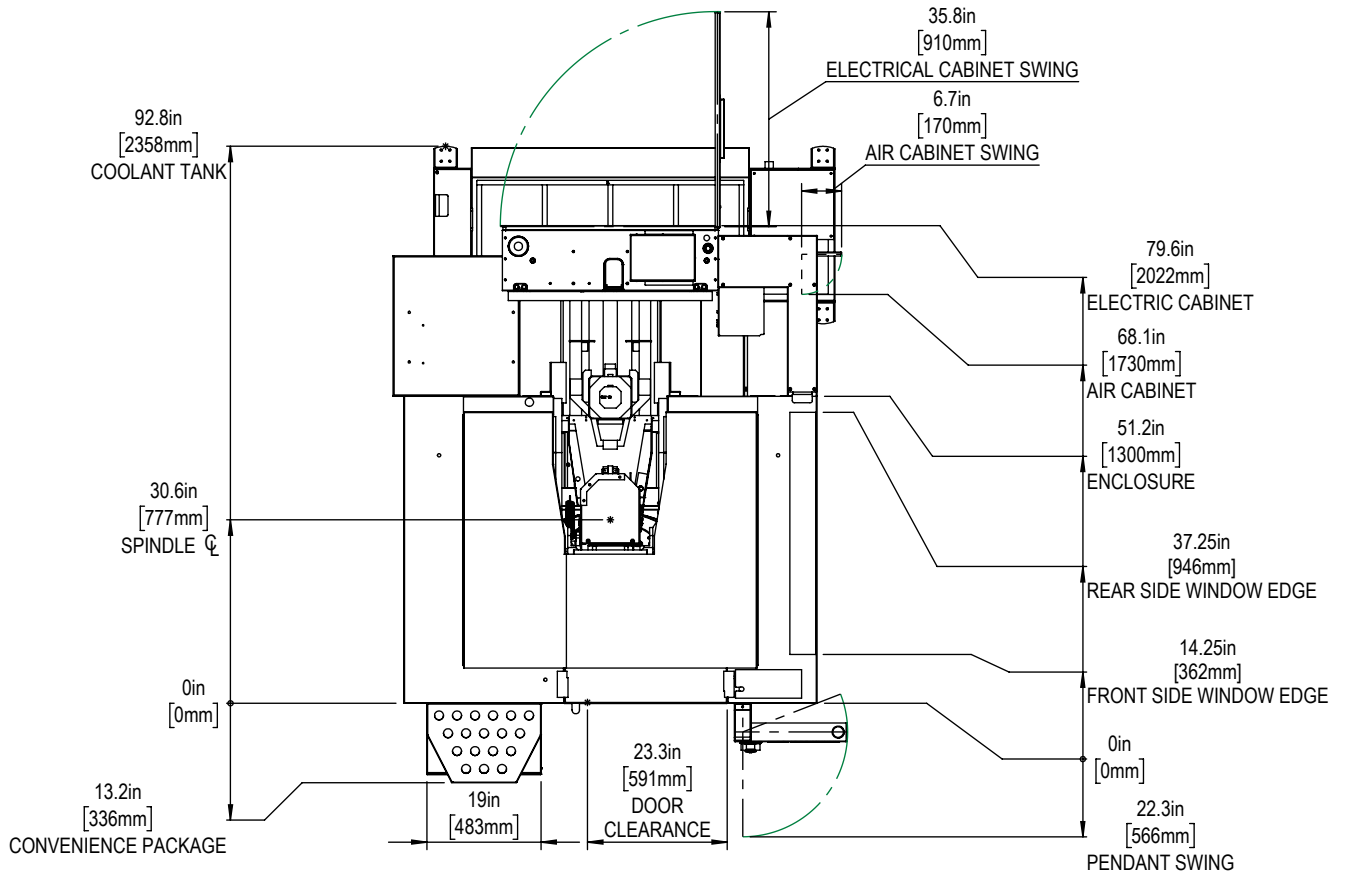
For precise locations and specifications please use template in Anchoring Kit found at Haascnc.com



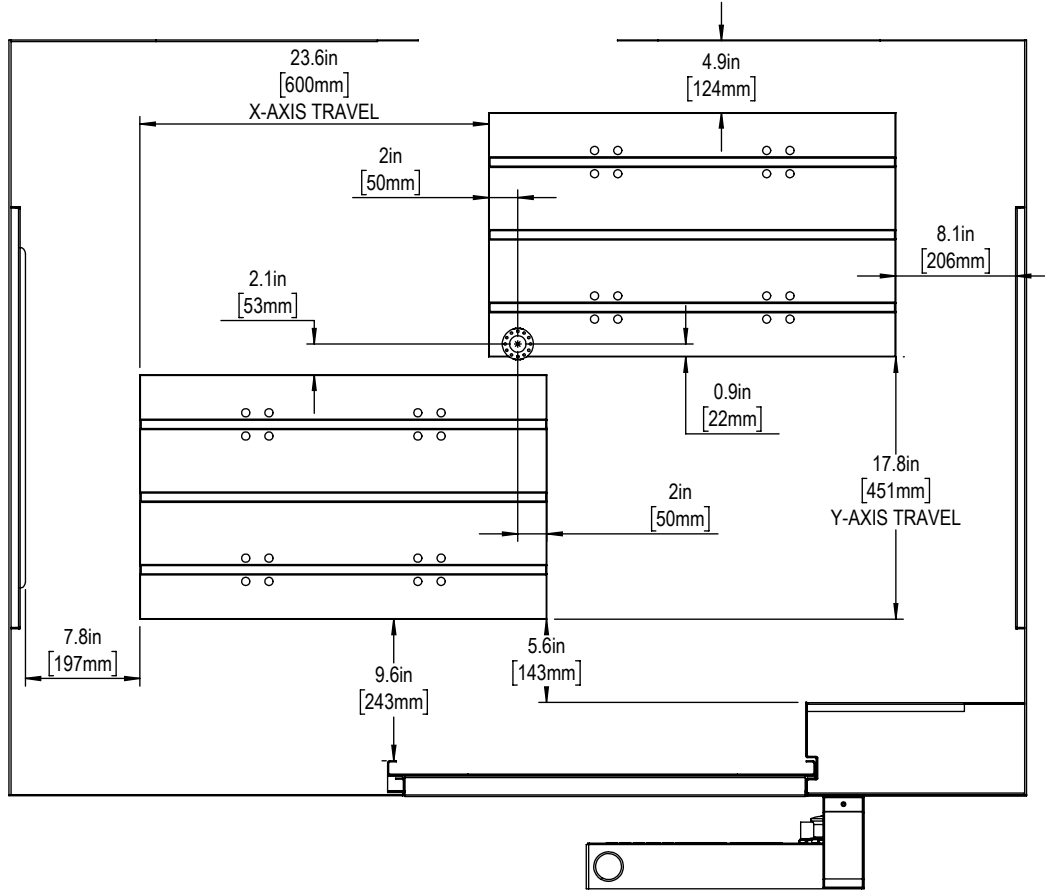
Height Breakdown



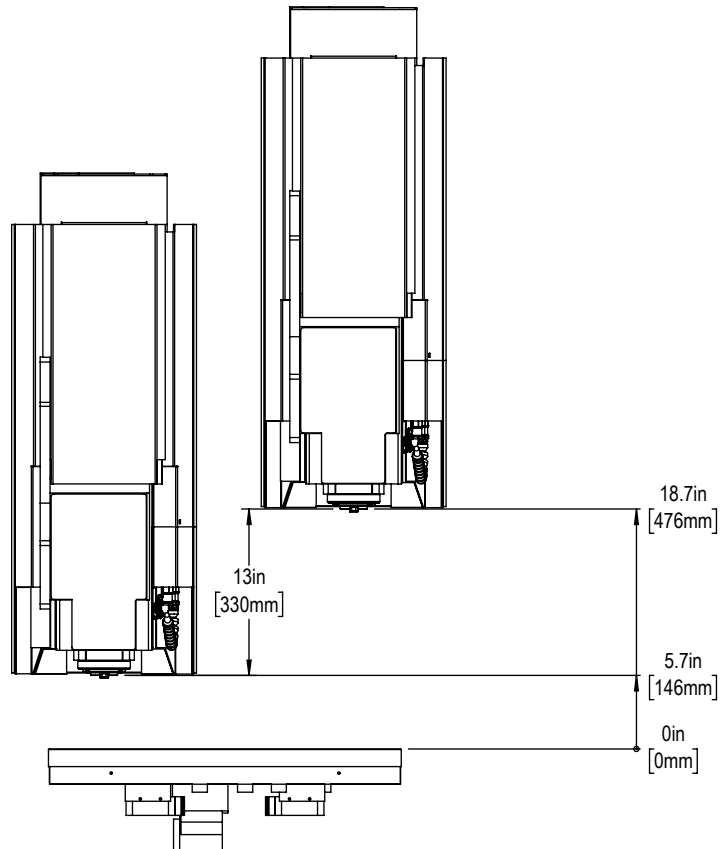
Width Breakdown



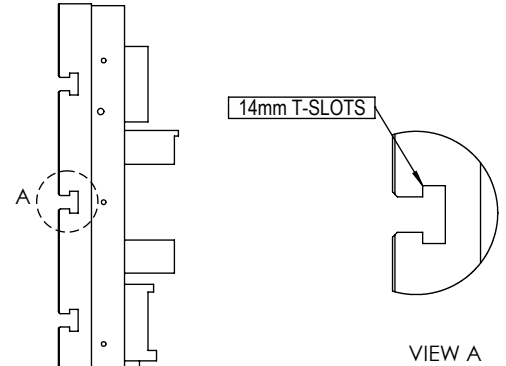
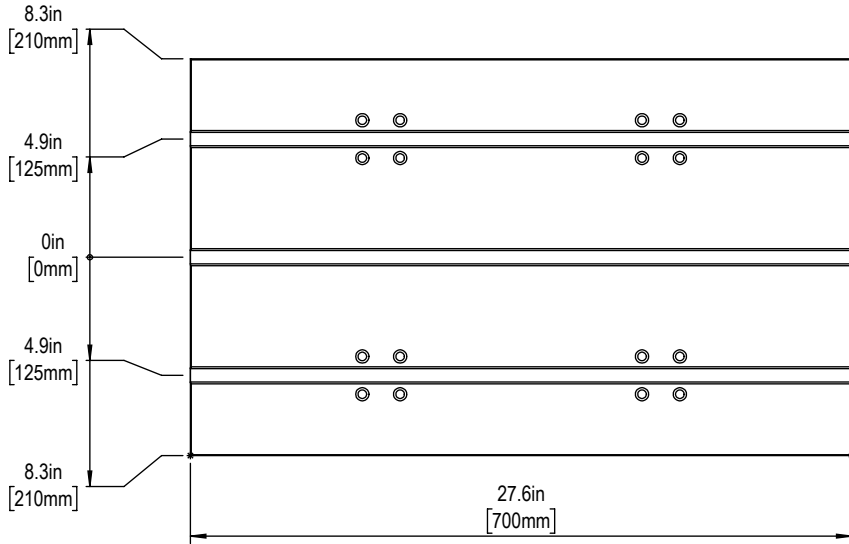
X&Y-Axis Travel and Clearance



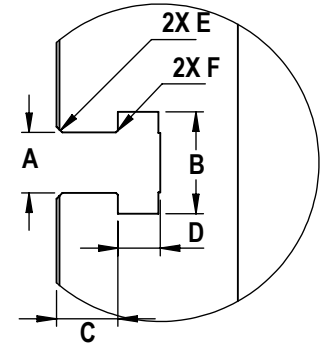
Z-AXIS TRAVEL & CLEARANCE



Table



Slot Size	A	B	C	D	E	F
14mm	0.551 $\frac{+.004}{-.000}$	0.906 ± 0.008	0.472 ± 0.006	0.354 ± 0.006	0.08x45°	0.012x45°



T-Slot Dimensions in inches

Tool Changer

TOOL CHANGE HEIGHT

