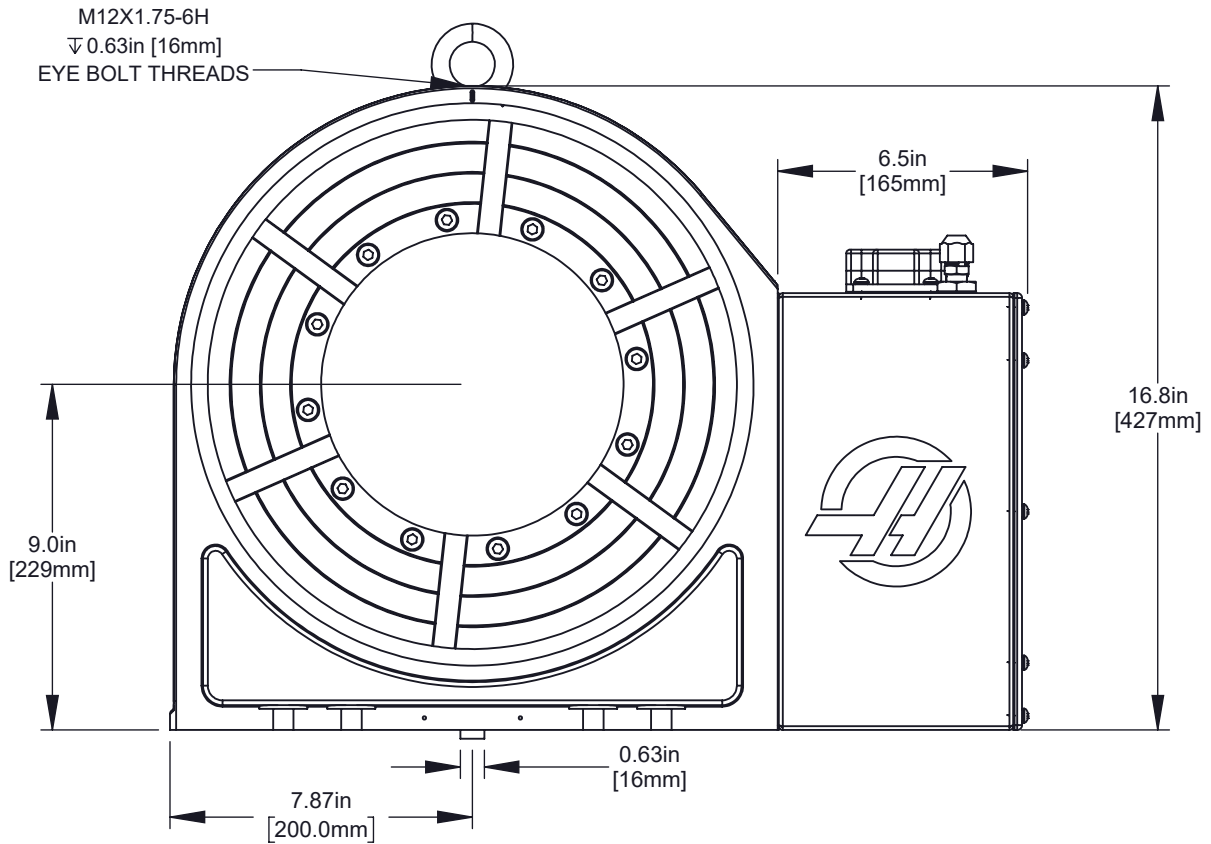
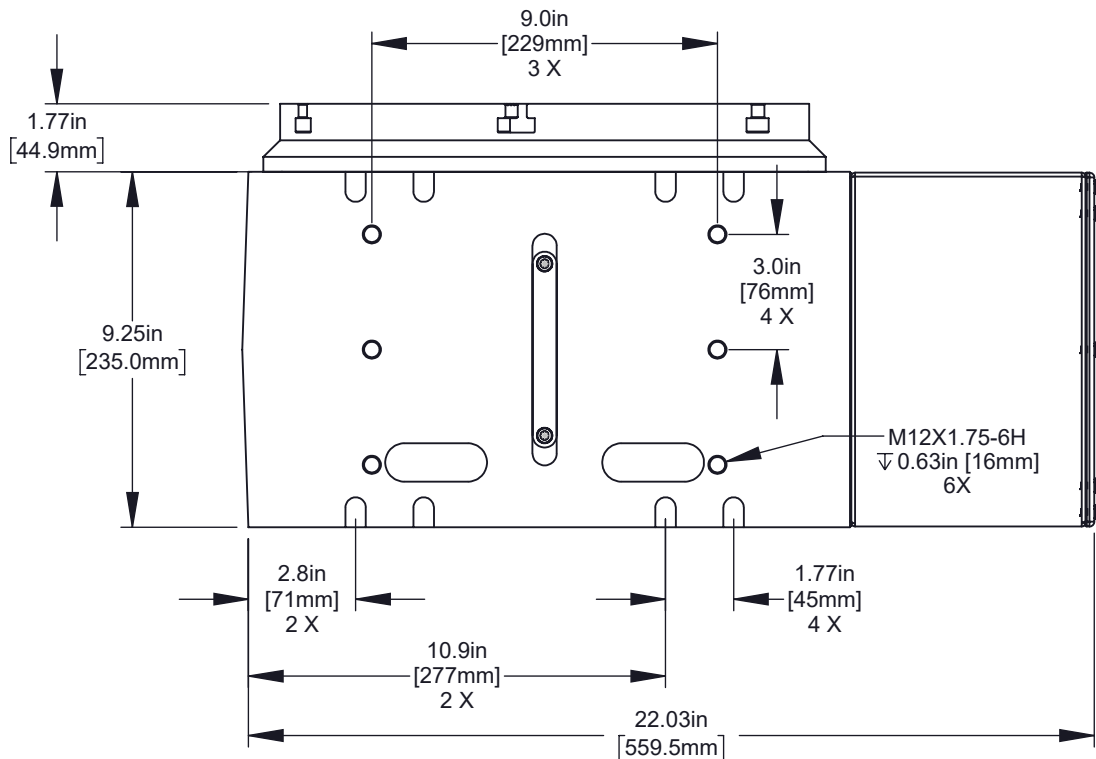


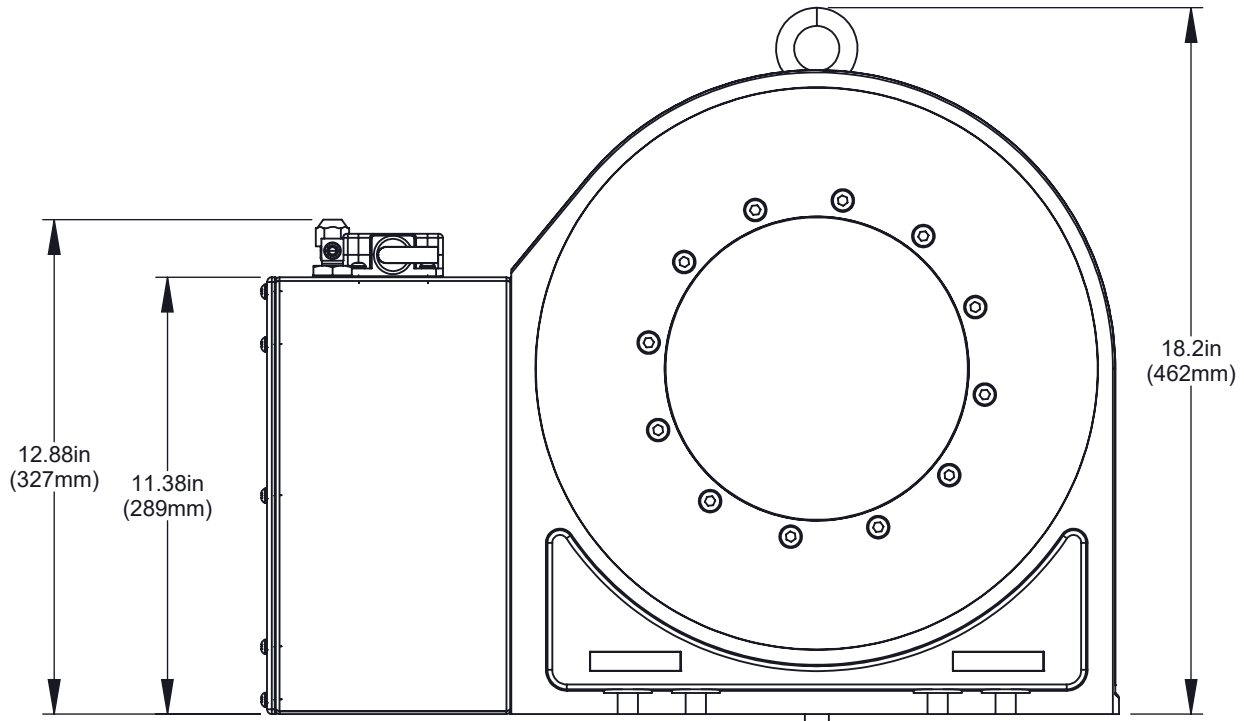
FRONT VIEW



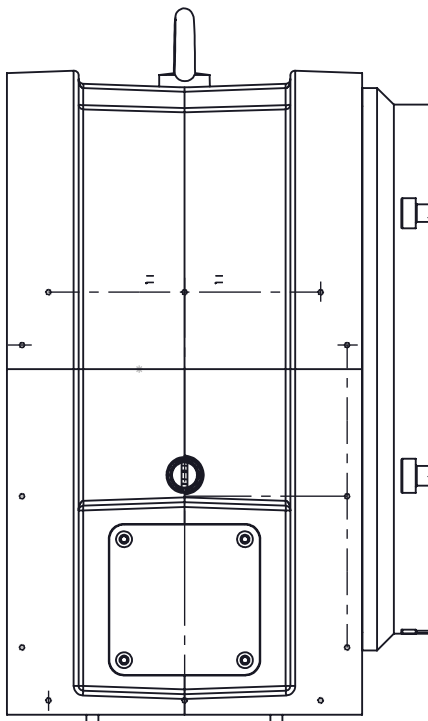
BOTTOM VIEW



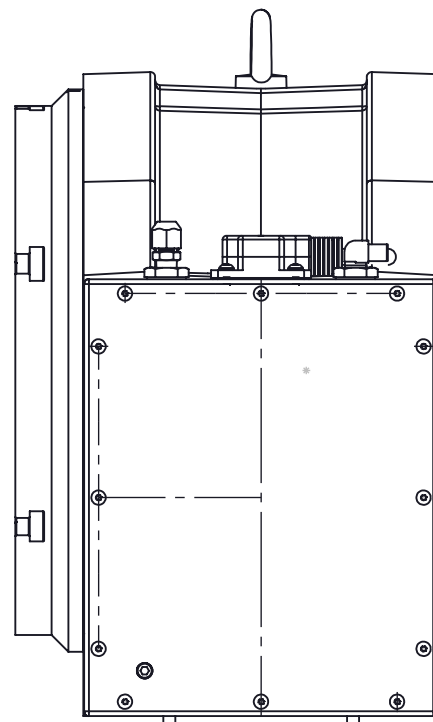
REAR VIEW



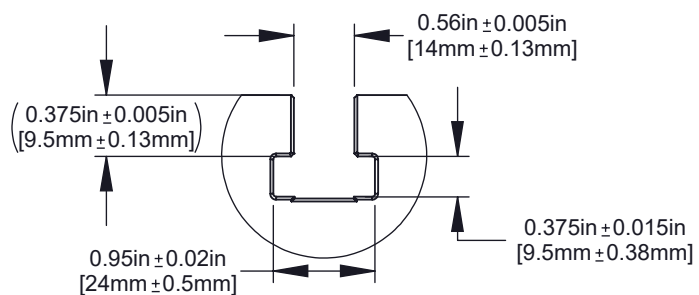
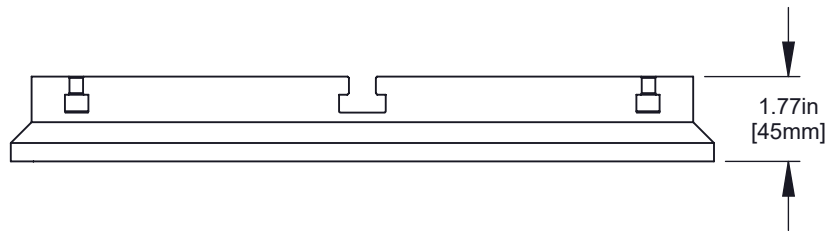
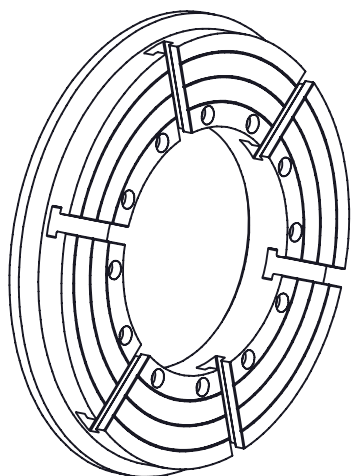
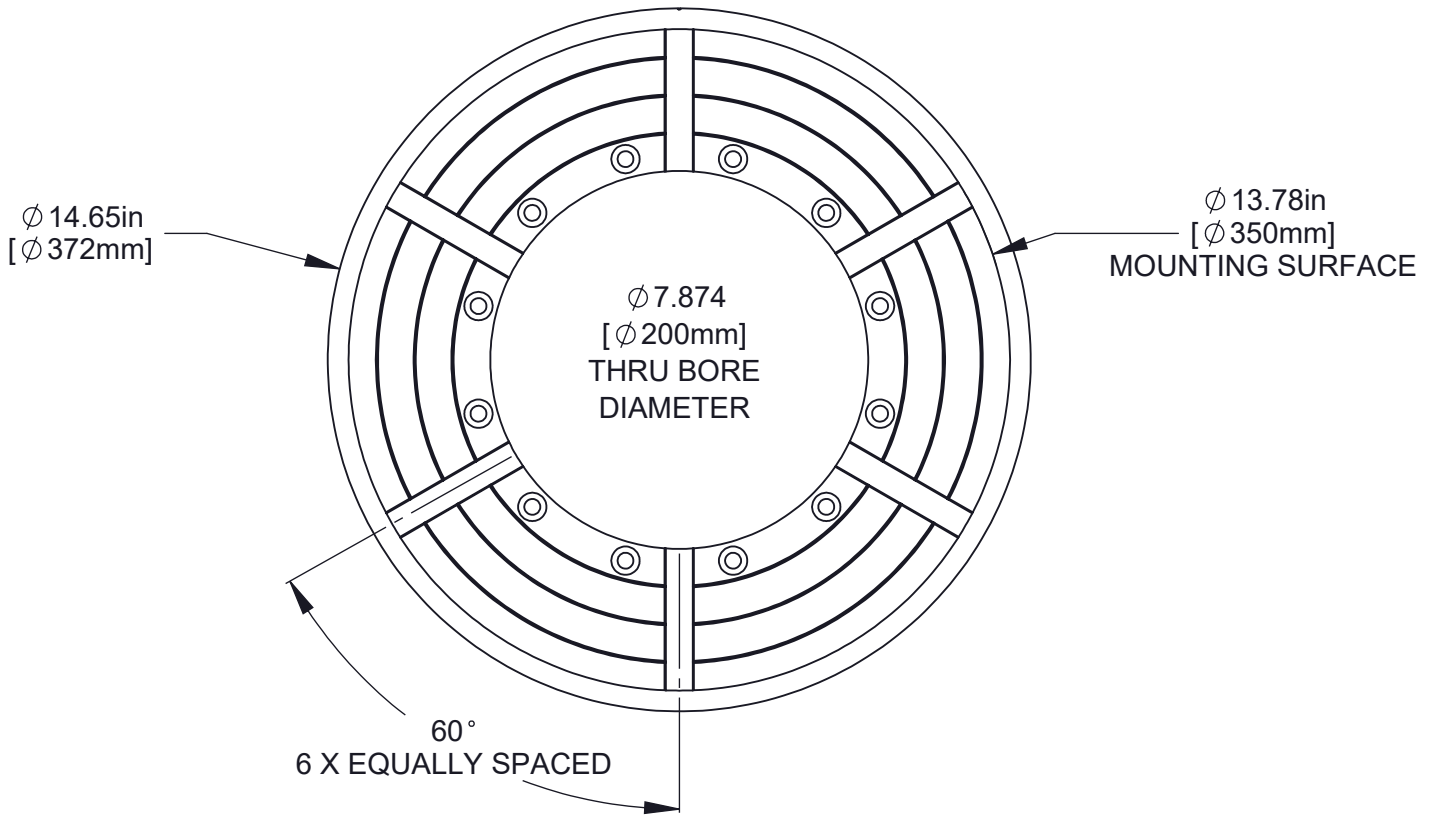
LEFT SIDE VIEW



RIGHT SIDE VIEW

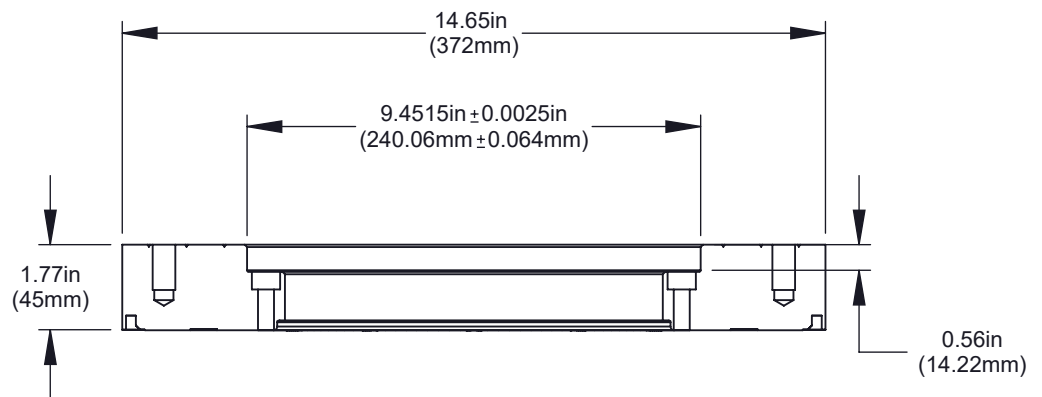
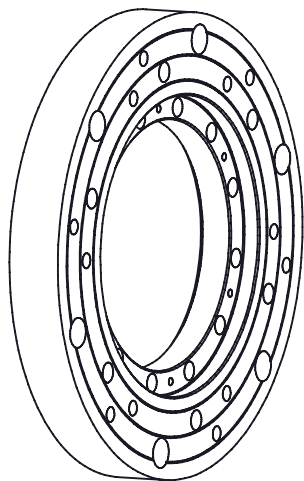
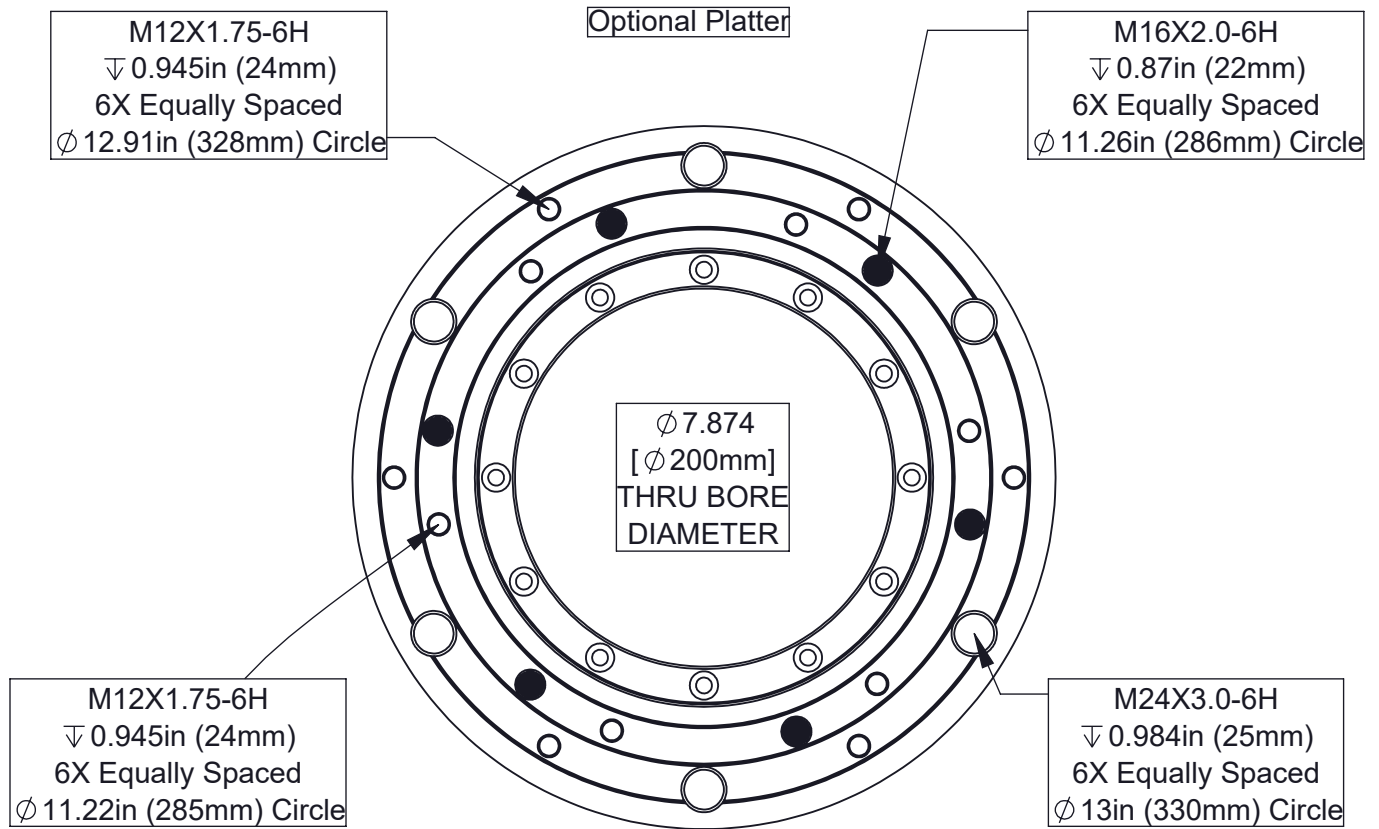


Standard Platter

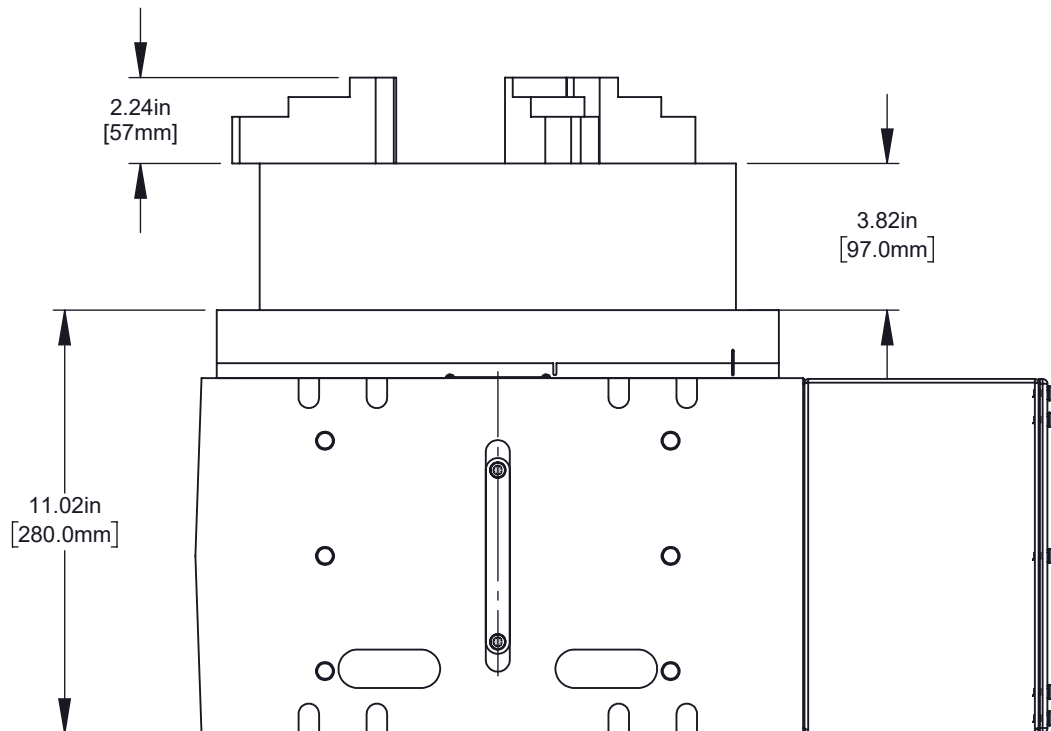
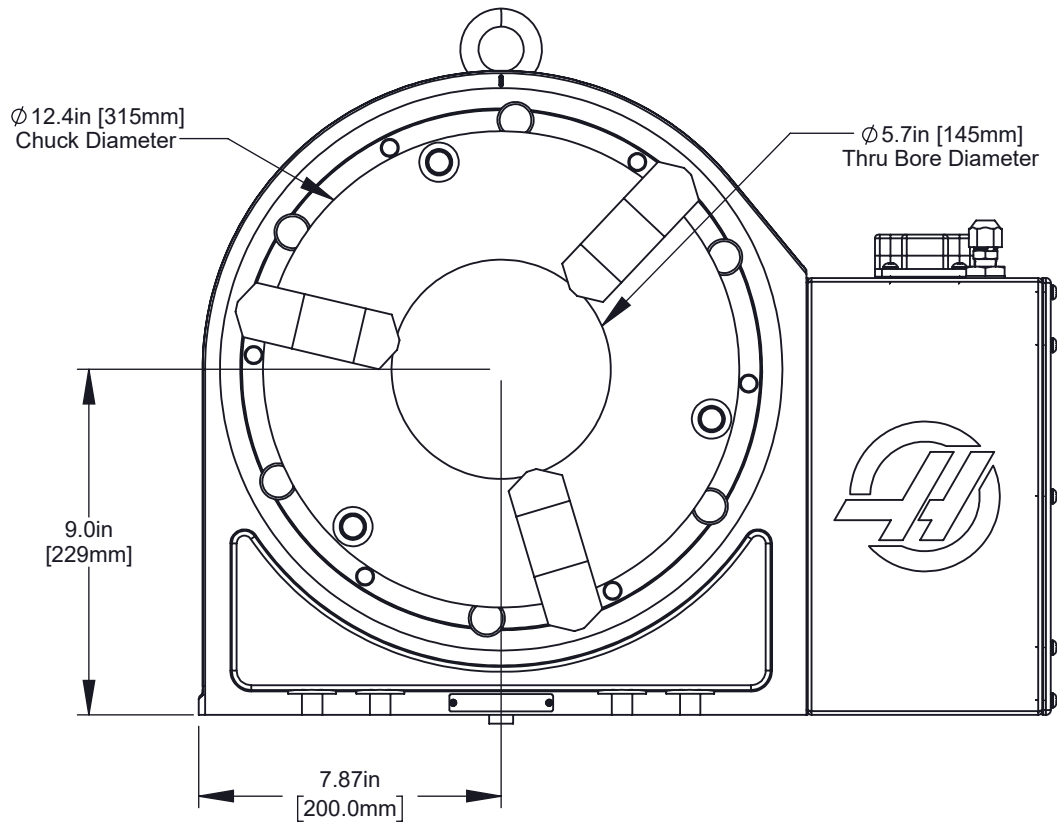


T-NUT SLOT DETAILS

All dimensions based on stackup of sheetmetal, subject to variation of 1/2" ( 13 mm)

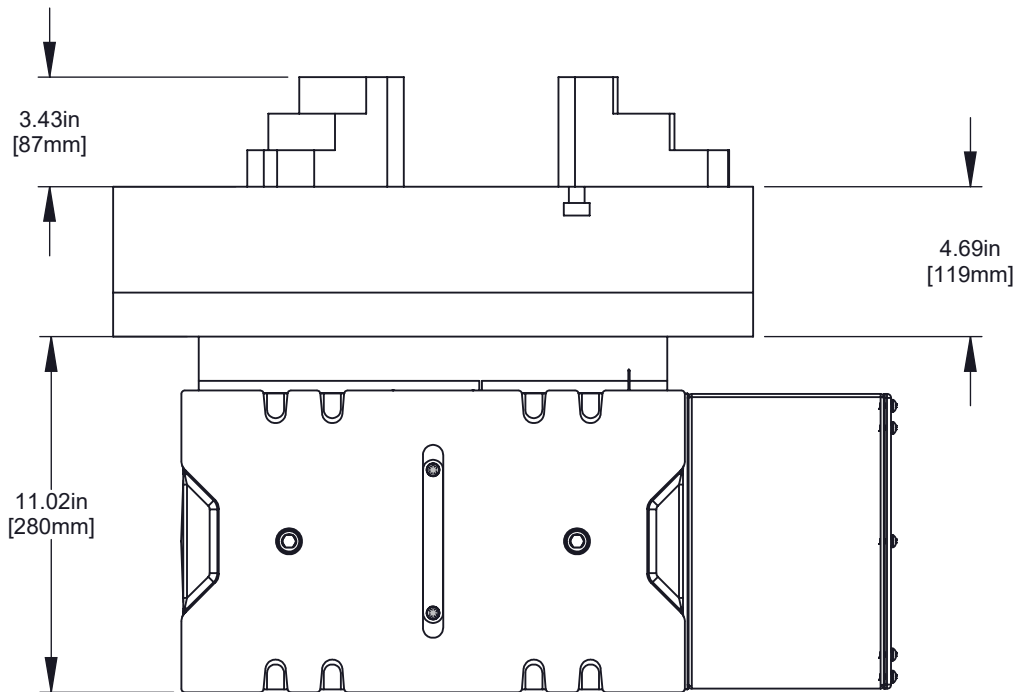
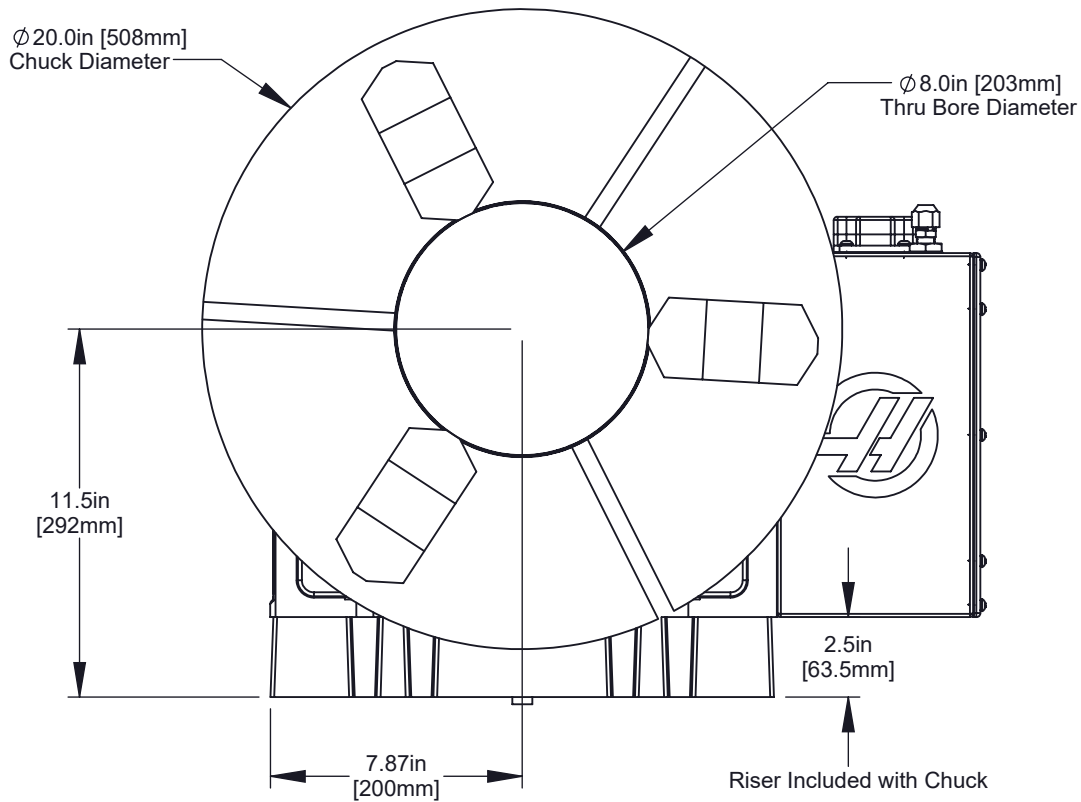


All dimensions based on stackup of sheetmetal, subject to variation of 1/2" ( 13 mm)



**Refer to Page 1 for bottom base dimensions**

All dimensions based on stackup of sheetmetal, subject to variation of 1/2" ( 13 mm)



**Refer to Page 1 for bottom base dimensions**

All dimensions based on stackup of sheetmetal, subject to variation of 1/2" ( 13 mm)