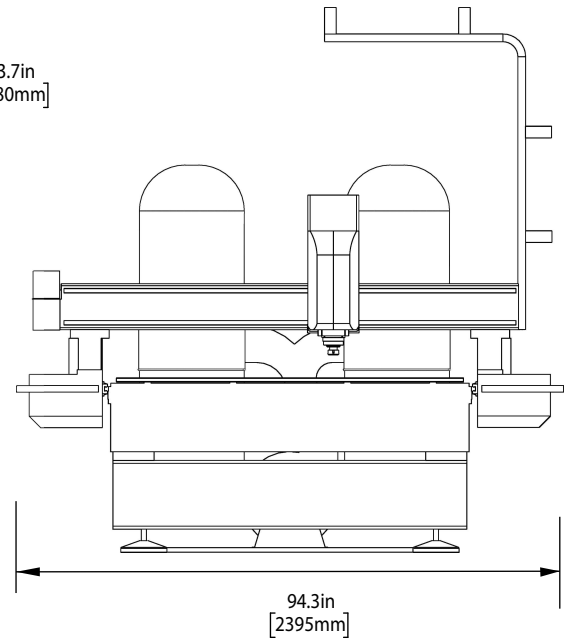
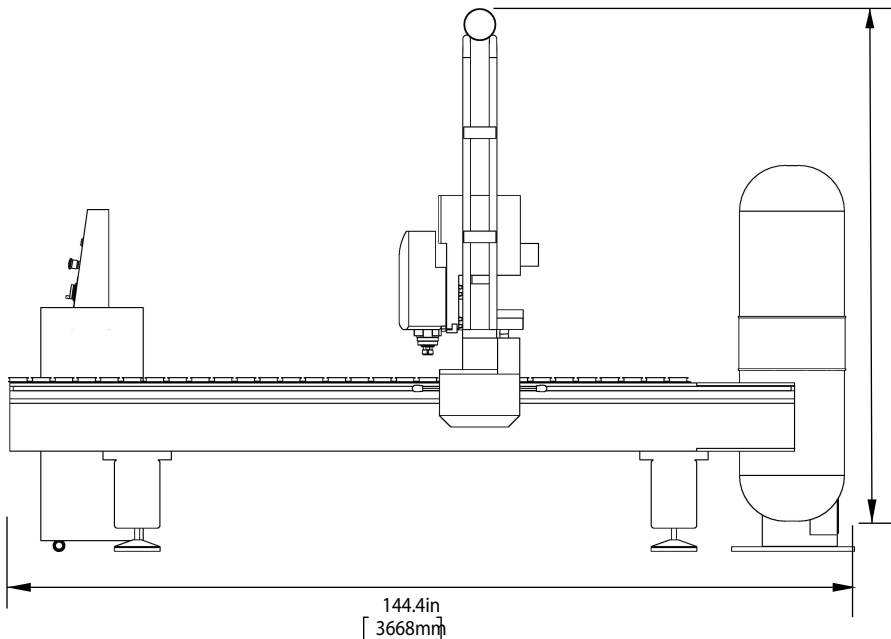
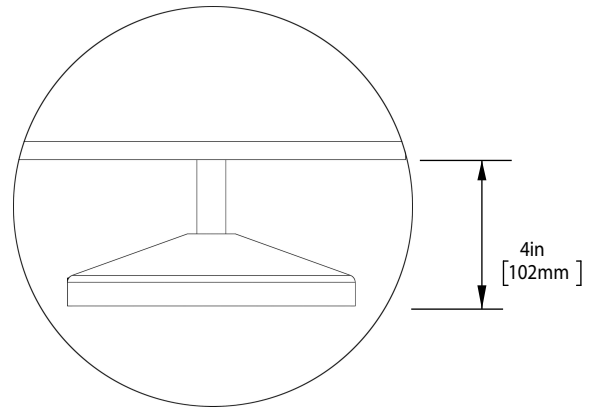
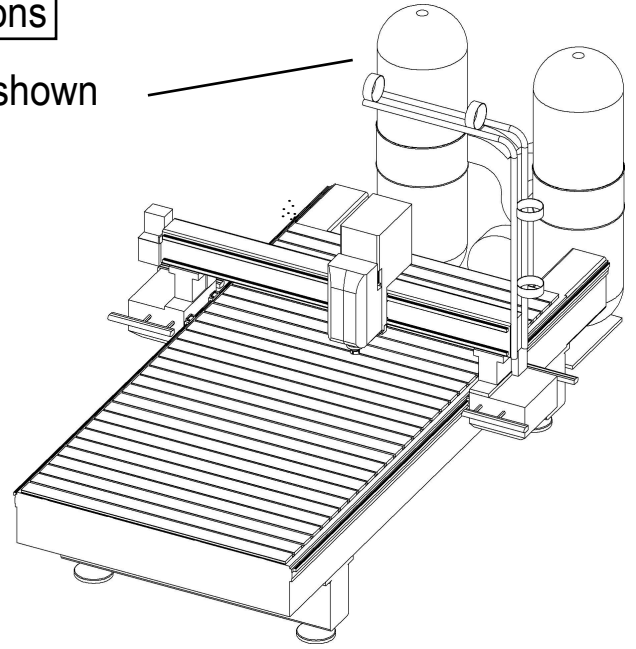
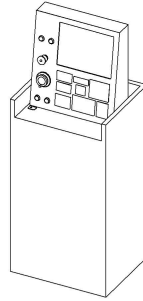
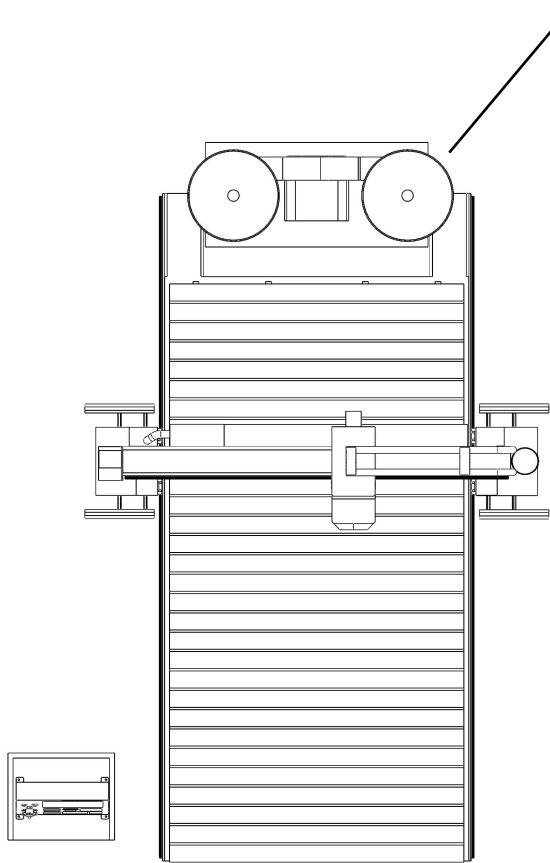


Installed Dimensions

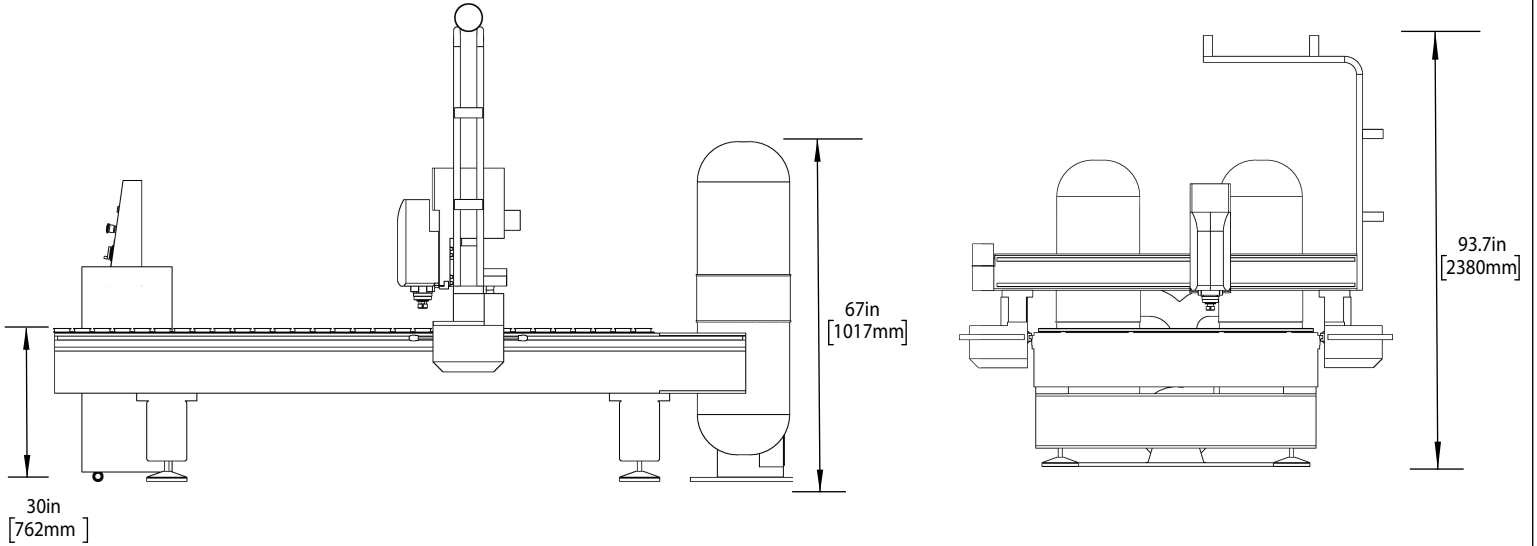
Note: Vacuum bags shown fully inflated.



All dimensions based on stackup of sheetmetal, subject to variation of 1/2" (13 mm)

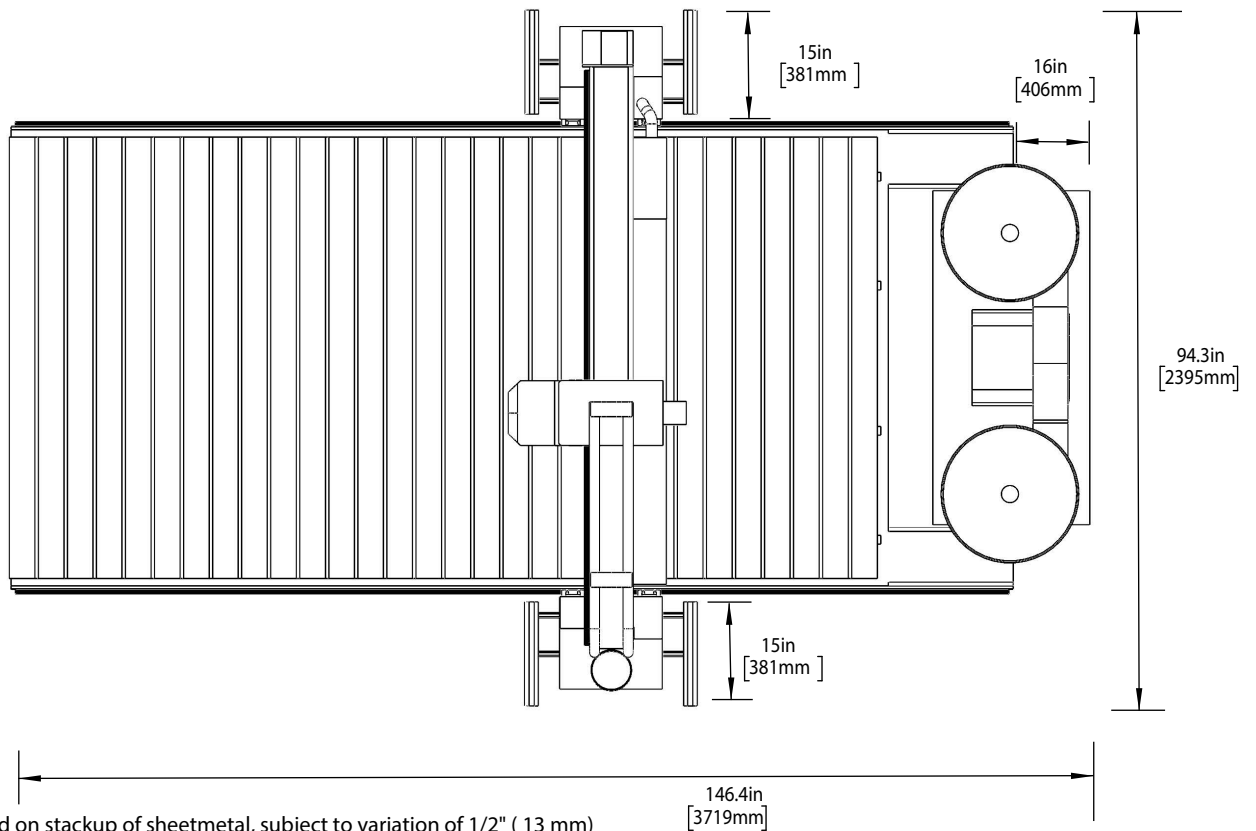
* Due to continual product improvements, machine dimensions are subject to change without notice.

Height Breakdown



All dimensions based on stackup of sheetmetal, subject to variation of 1/2" (13 mm)

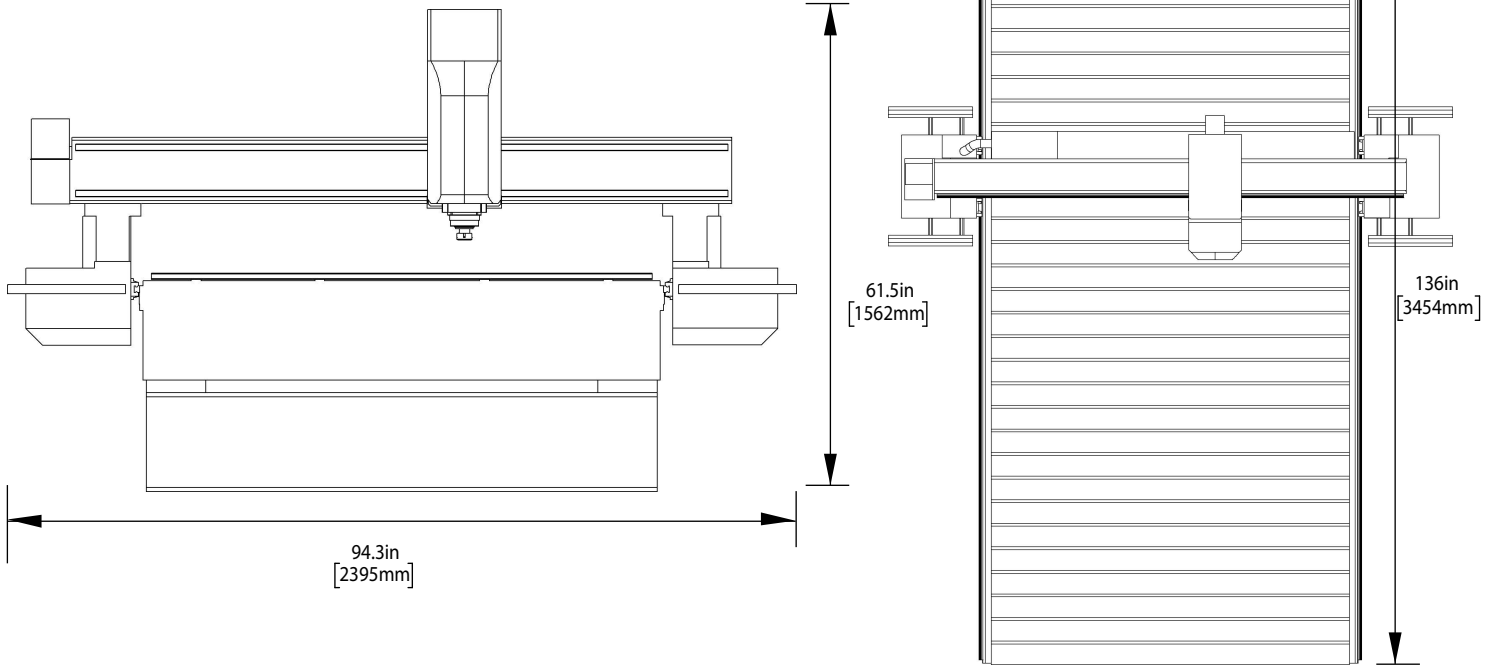
Depth and Width Breakdown



All dimensions based on stackup of sheetmetal, subject to variation of 1/2" (13 mm)

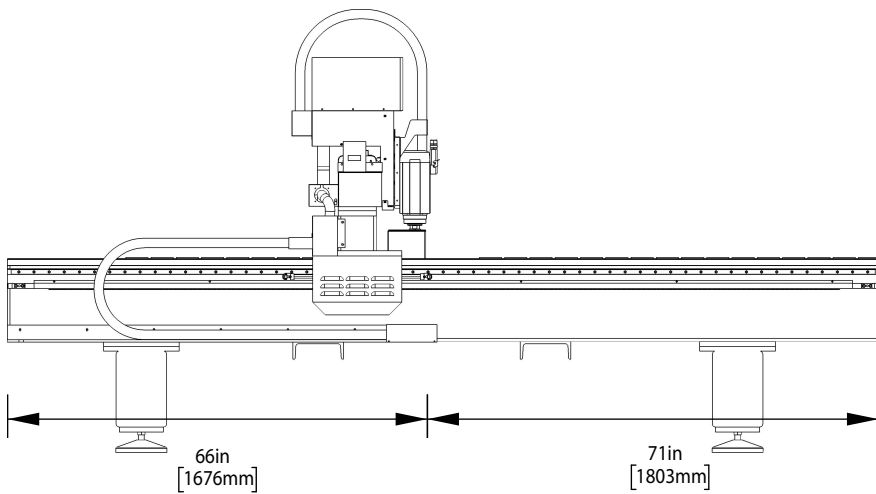
*Due to continual product improvements, machine dimensions are subject to change without notice.

Shipping Dimensions

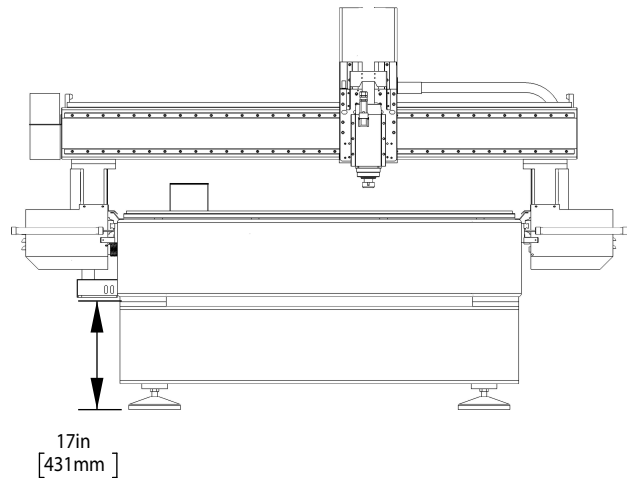


Power

Side View



Front View



Note

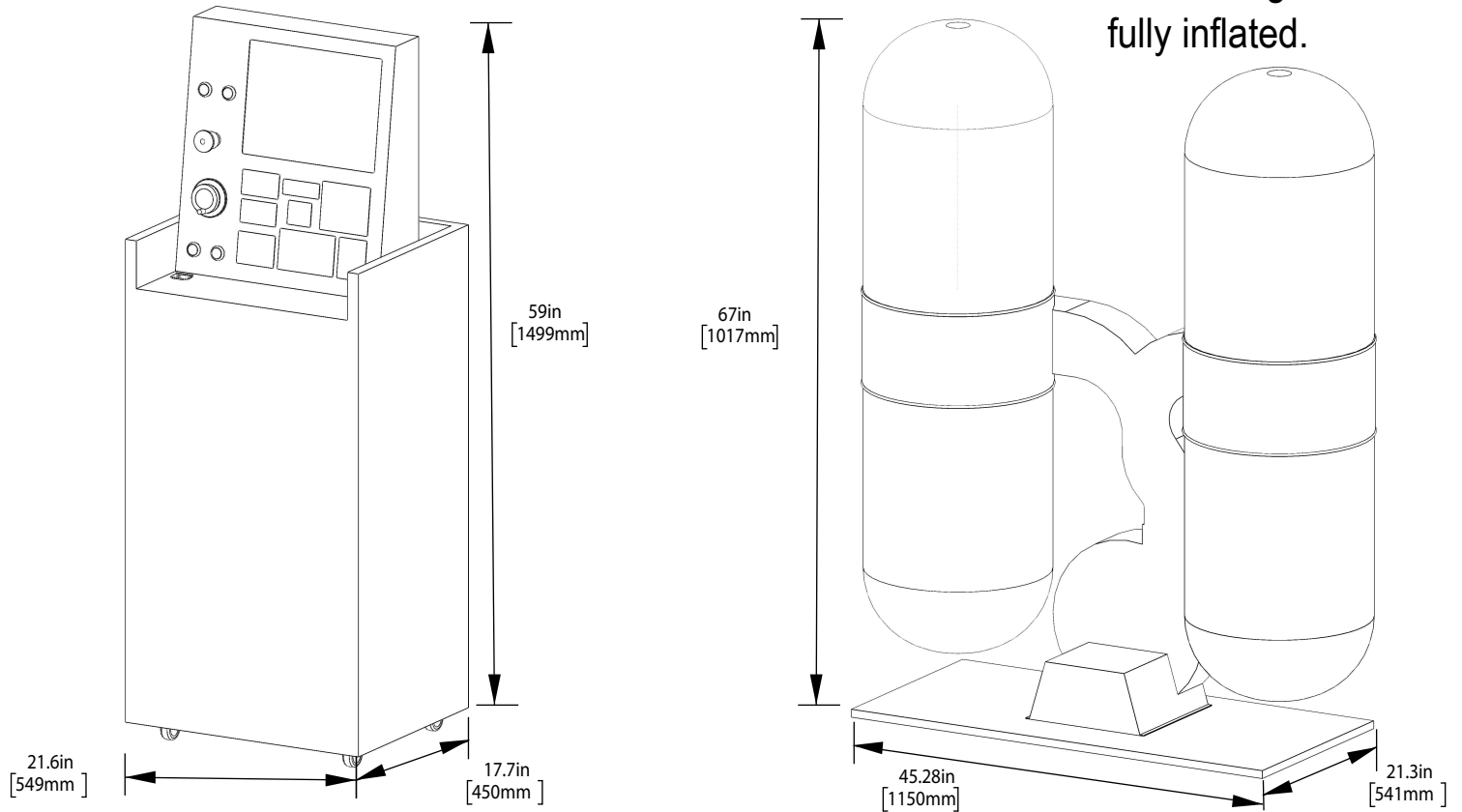
1. No air connection. Sheet Router does not require compressed air or coolant

Control Panel

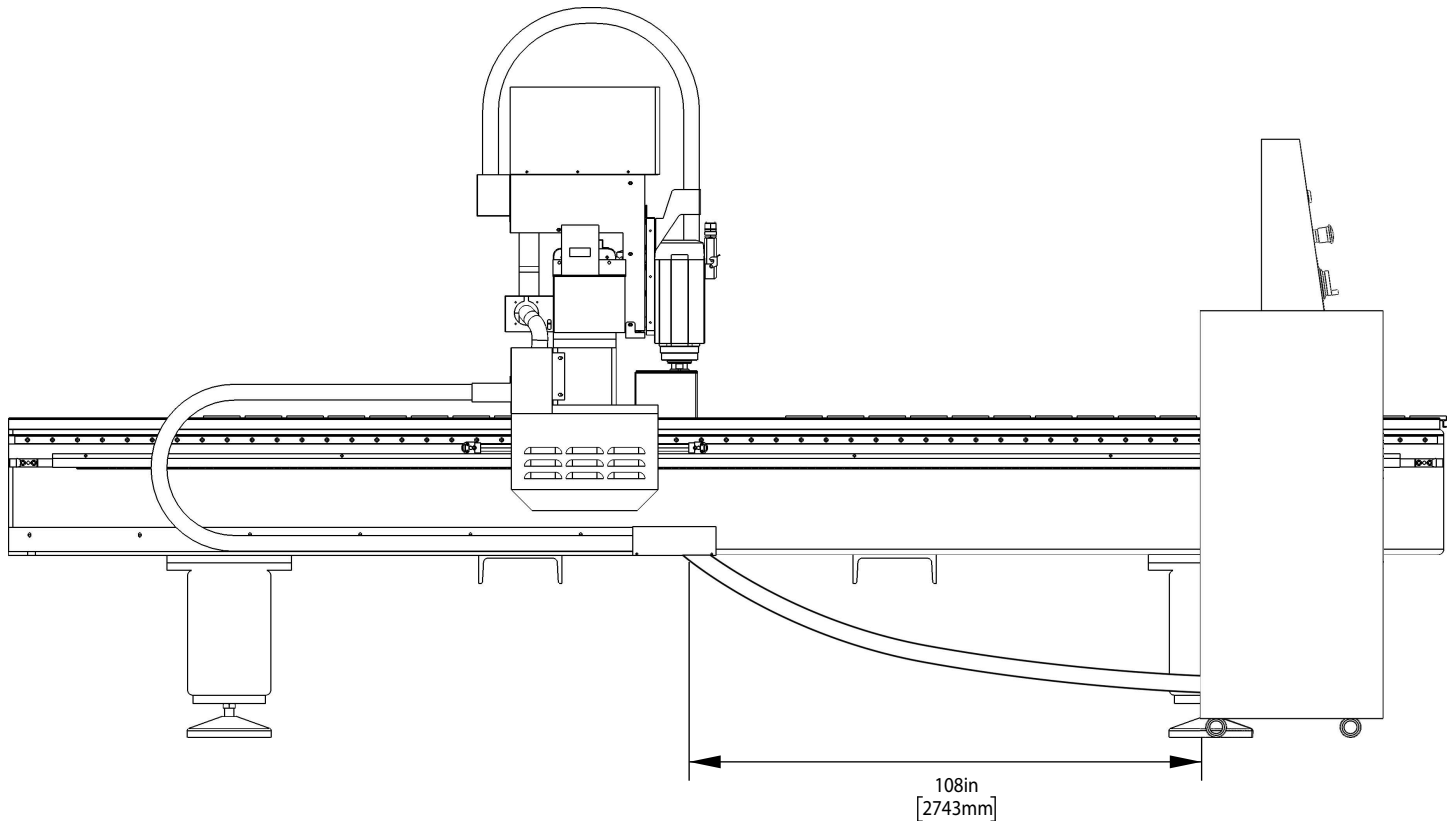
Box Dimensions

Vacuum Unit

Note: Vacuum bags shown fully inflated.

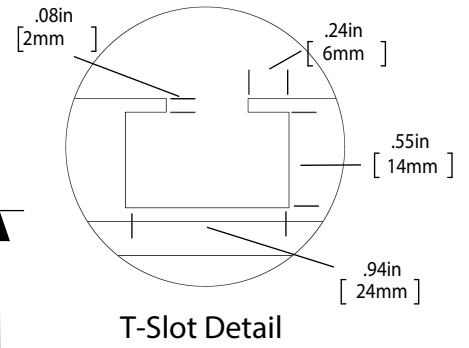
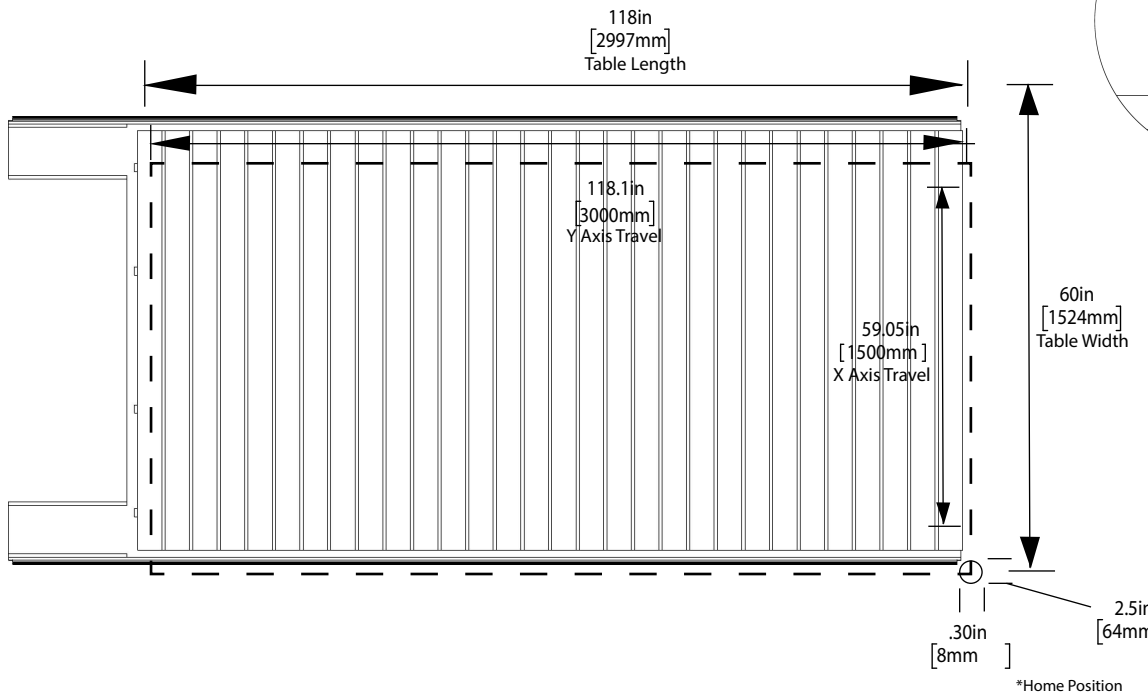


Cable And Hose Lengths

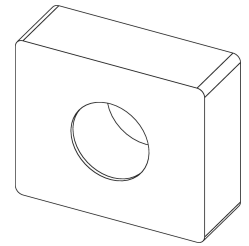


*Due to continual product improvements, machine dimensions are subject to change without notice.

X&Y-Axis Clearance

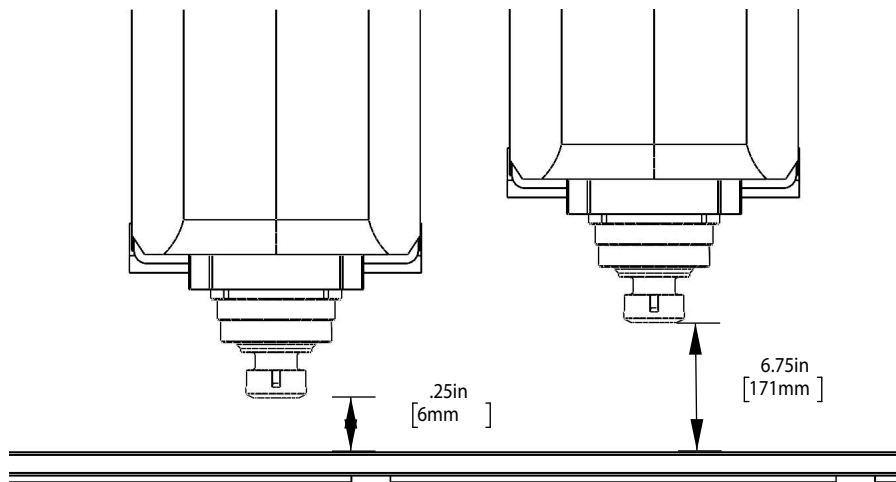


***Suggested Custom Nut for Workholding**
3/8 - 16 Threads



***Overtightening nuts may damage slot wings**

Z-Axis Clearance



***Drawing not to scale**