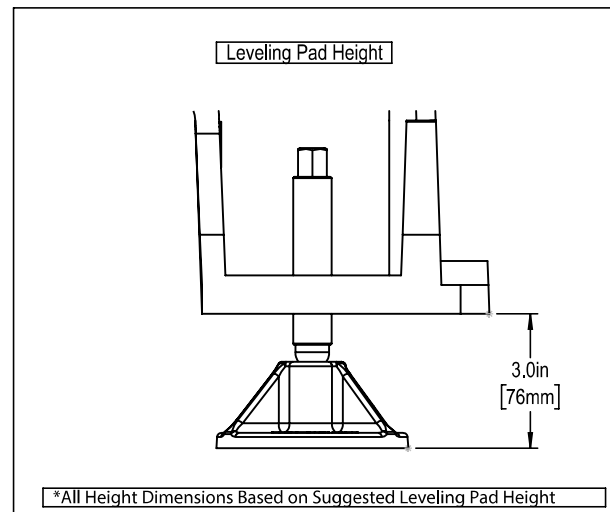
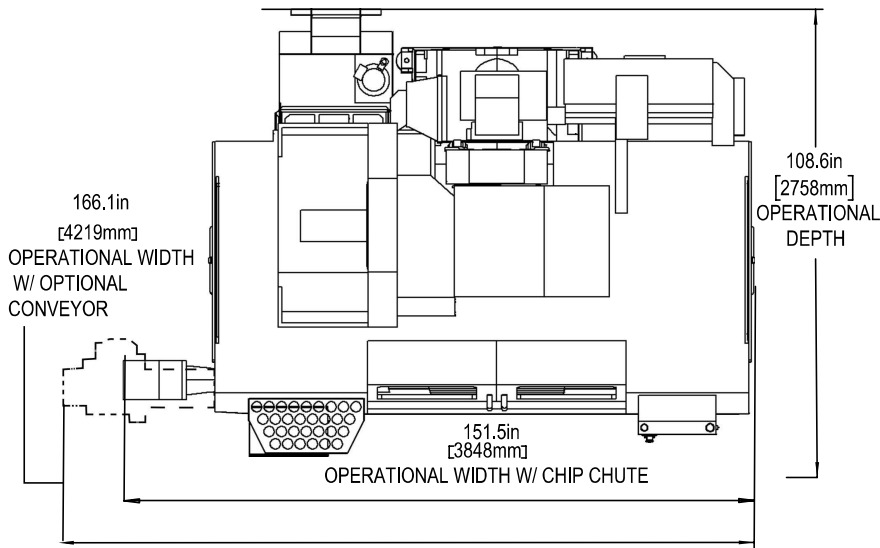
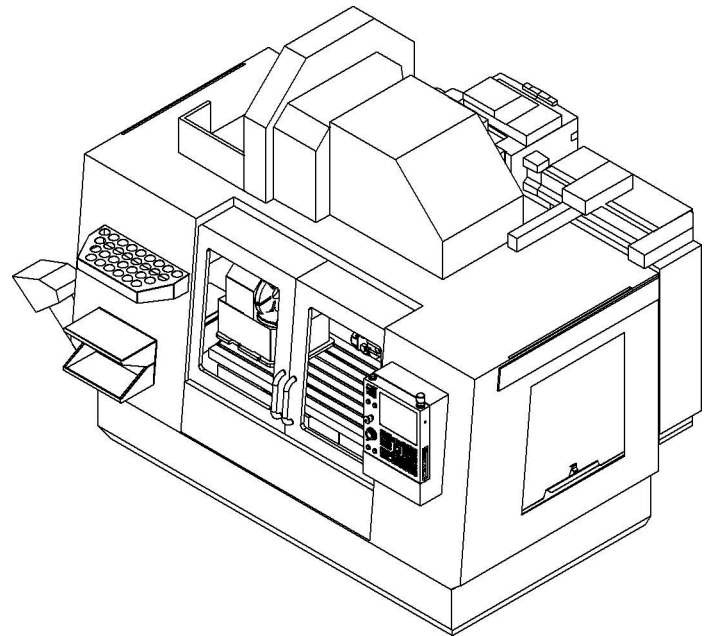
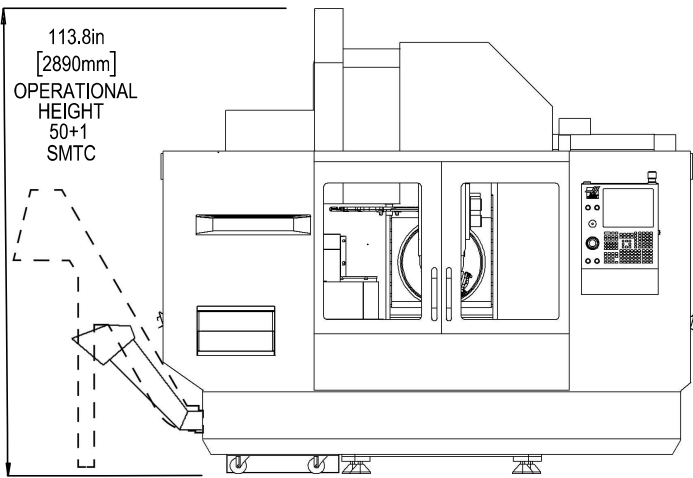
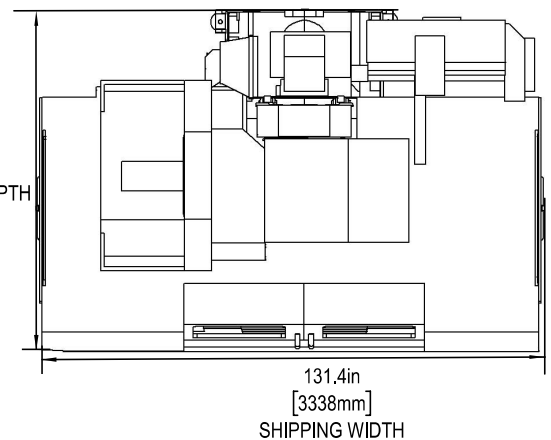
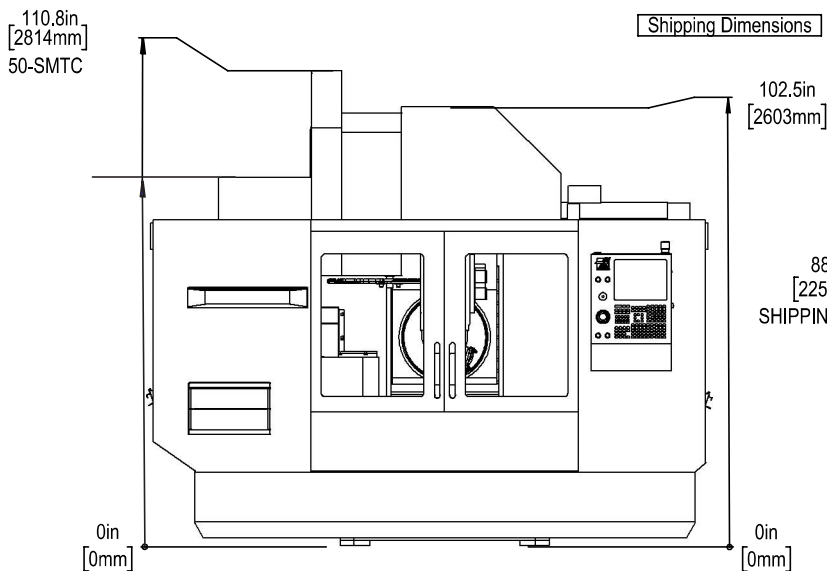


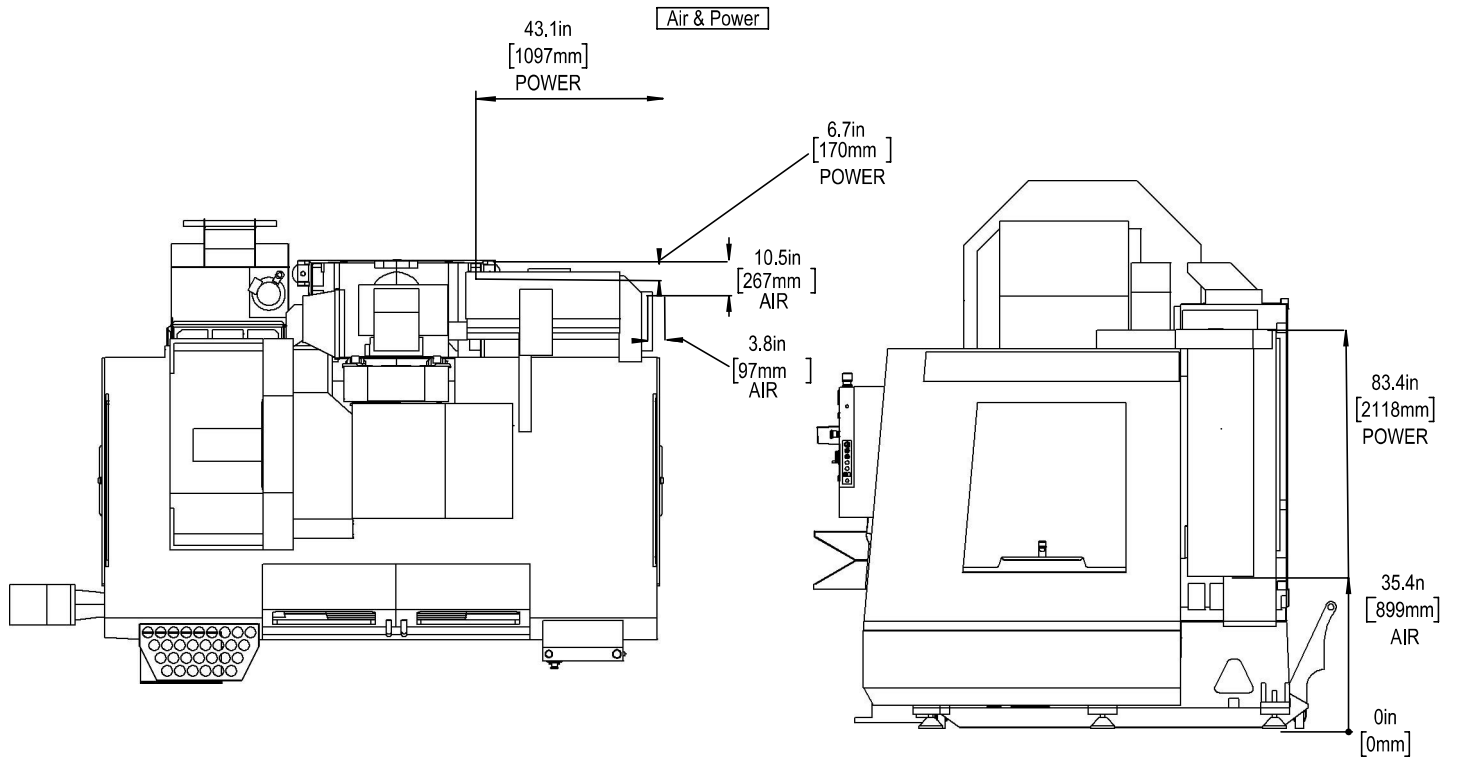


Installed Dimensions



Shipping Dimensions





Maintain 3 feet [915mm] clearance to the nearest obstruction around all sides of machine perimeter for maintenance access

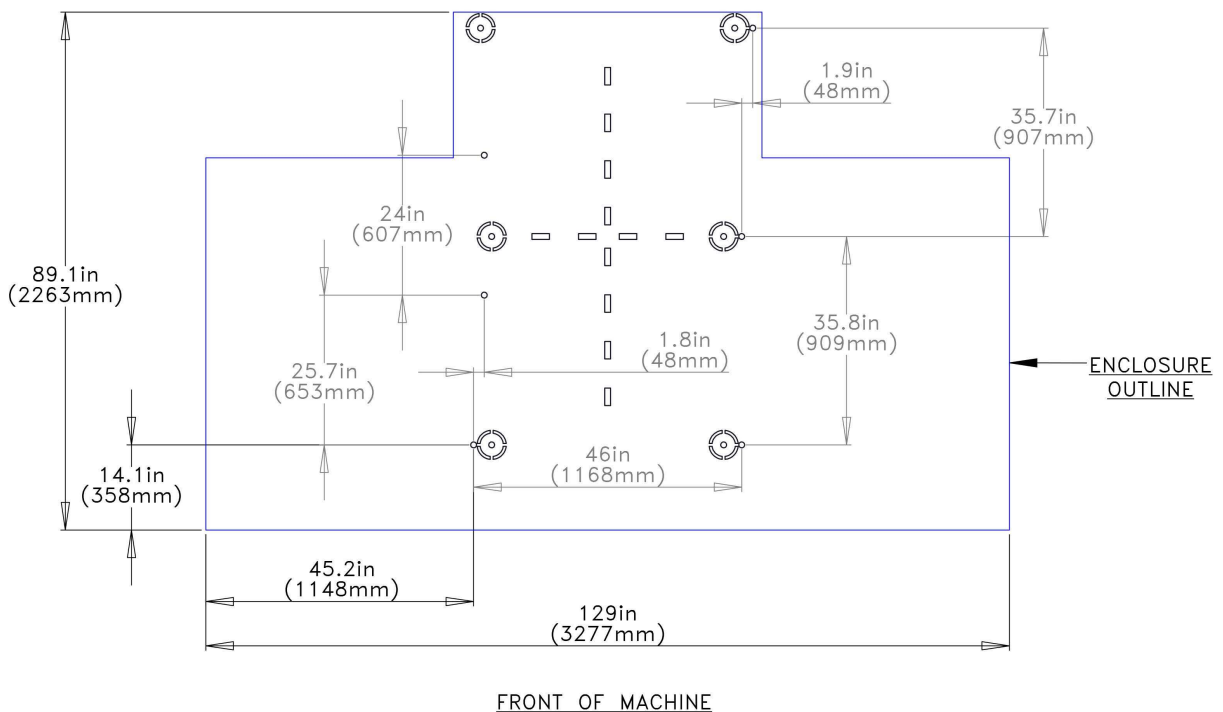
Note:

Machine must be placed on one continuous concrete slab. Slab should extend 12in [305mm] beyond anchor holes in all directions

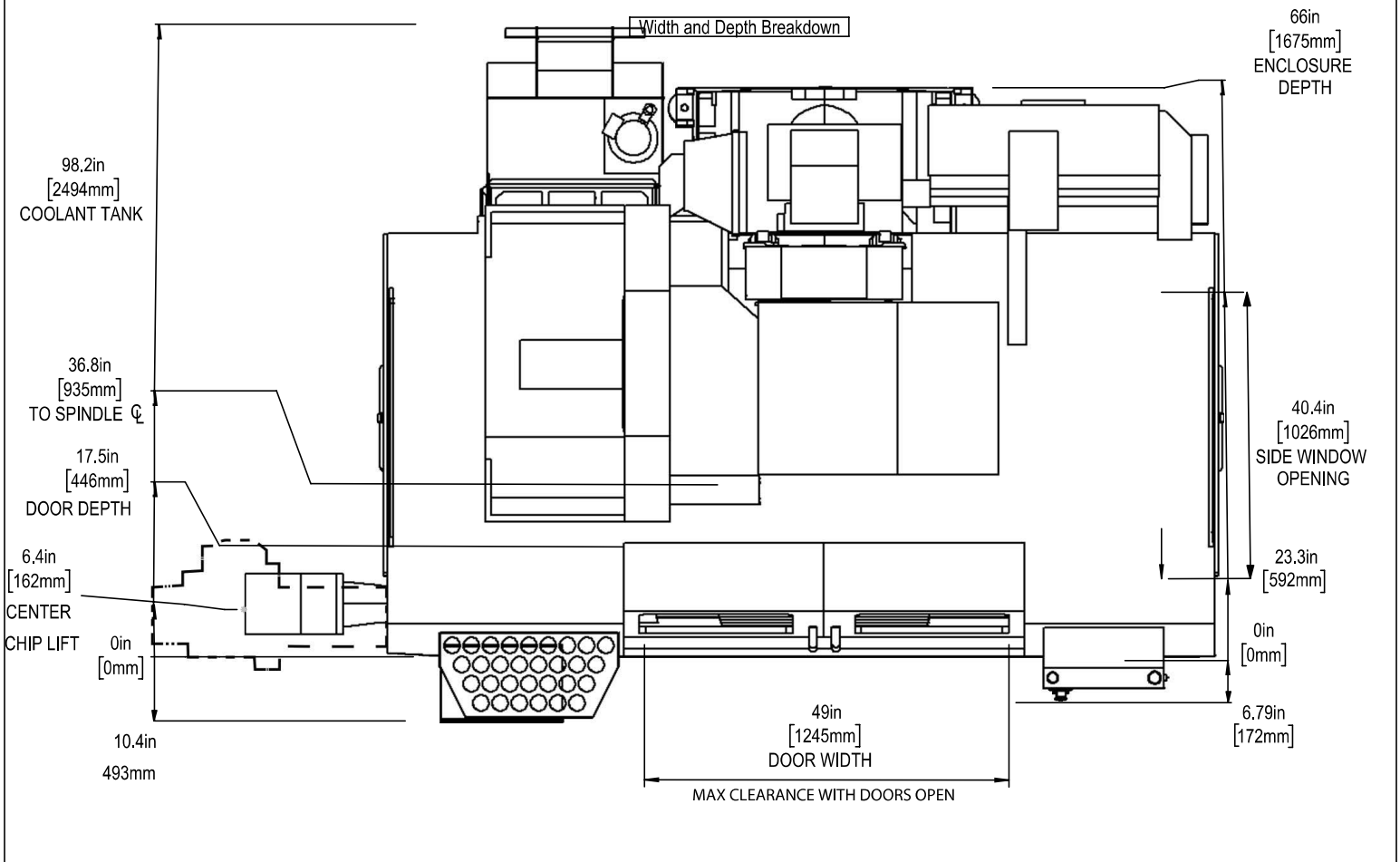
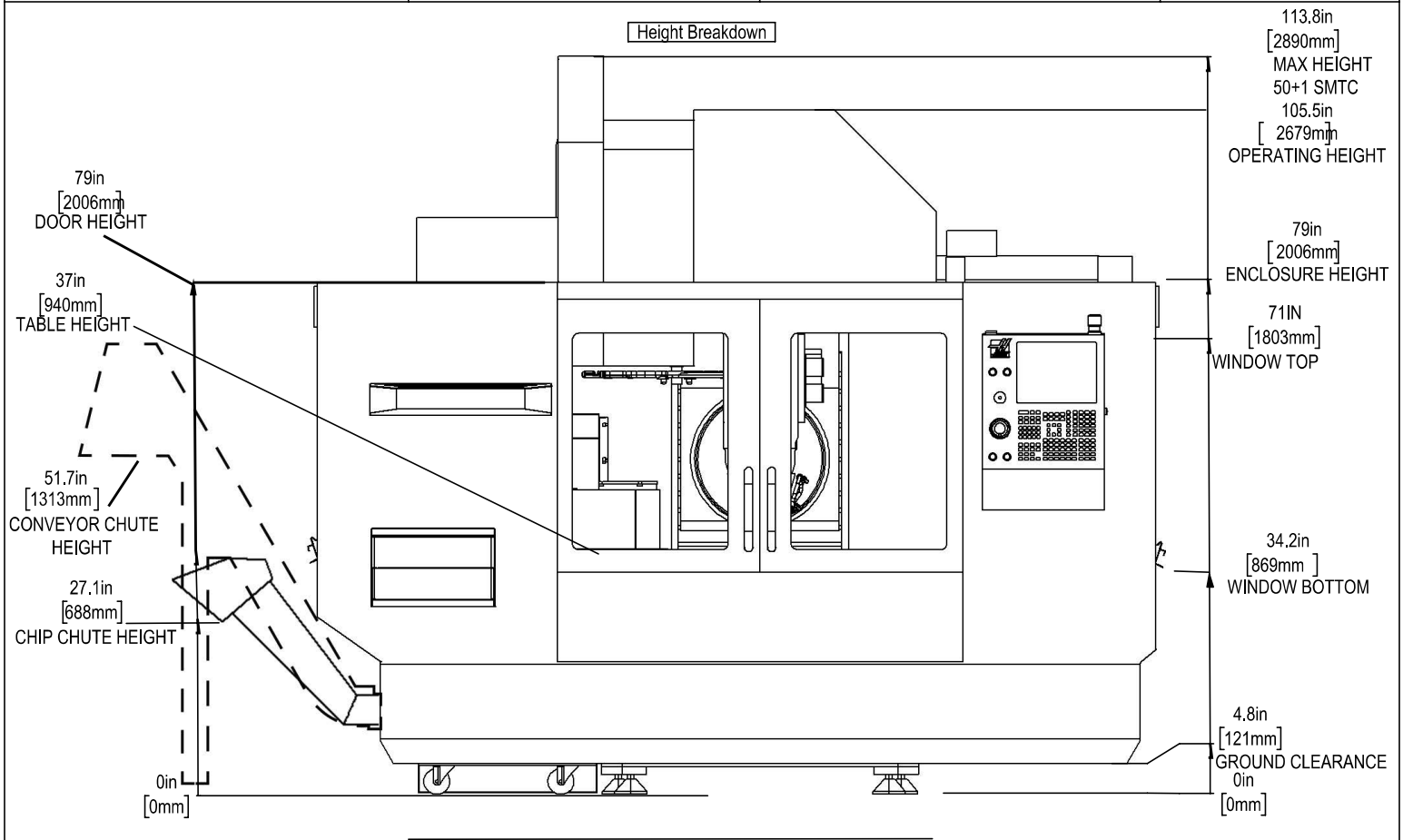
Anchor Pattern

Anchor Hole Detail

Ø .625in [16mm]
▽ 2.0in [51mm]-
▽ 2.5in [64mm]

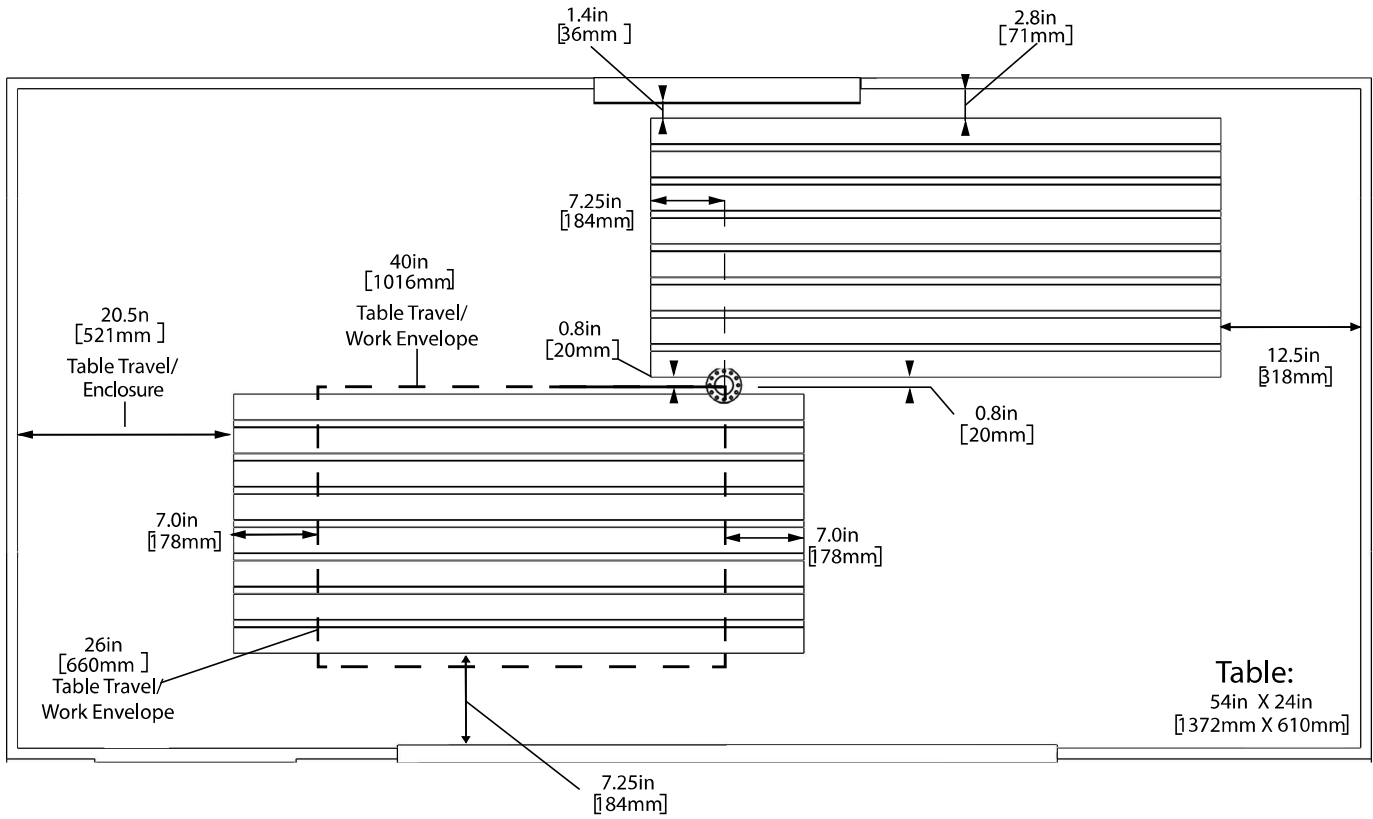


For precise locations and specifications please use template in Anchoring Kit found at Haascnc.com

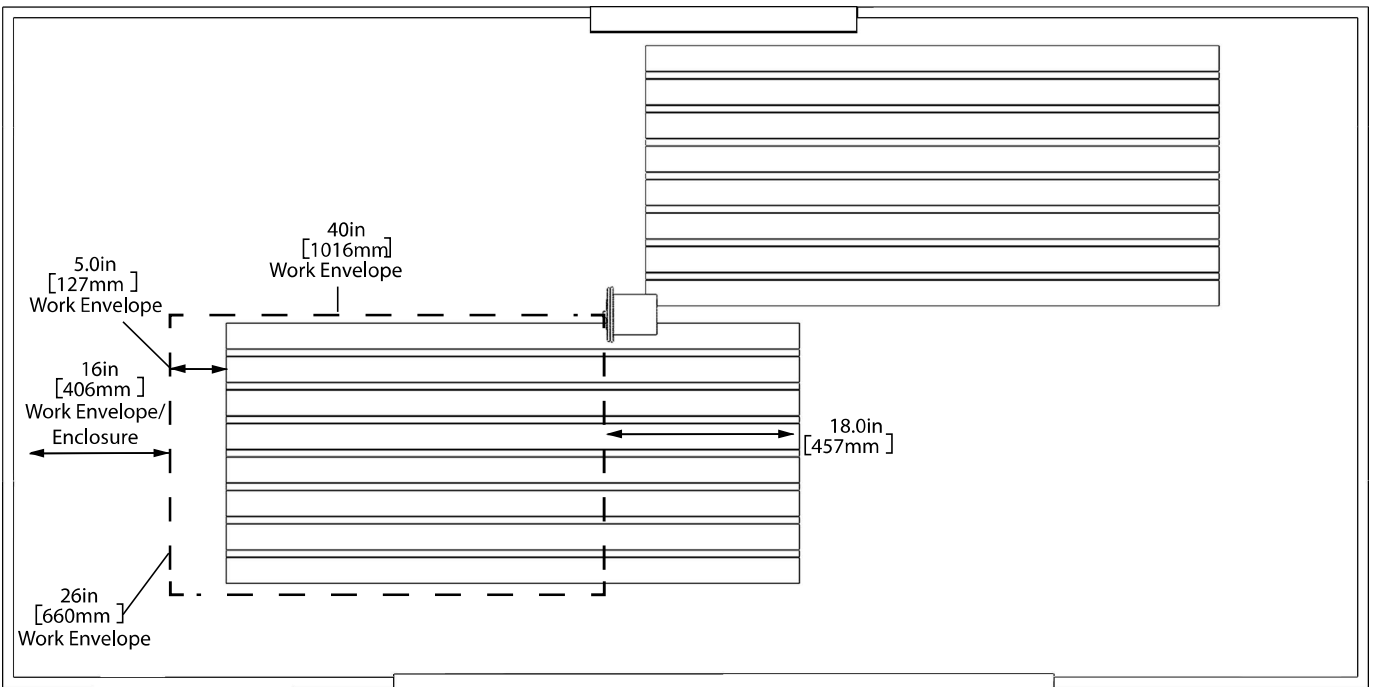


All dimensions based on stackup of sheetmetal, subject to variation of 1/2" (13 mm) Due to continual product improvements, dimensions are subject to change without notice

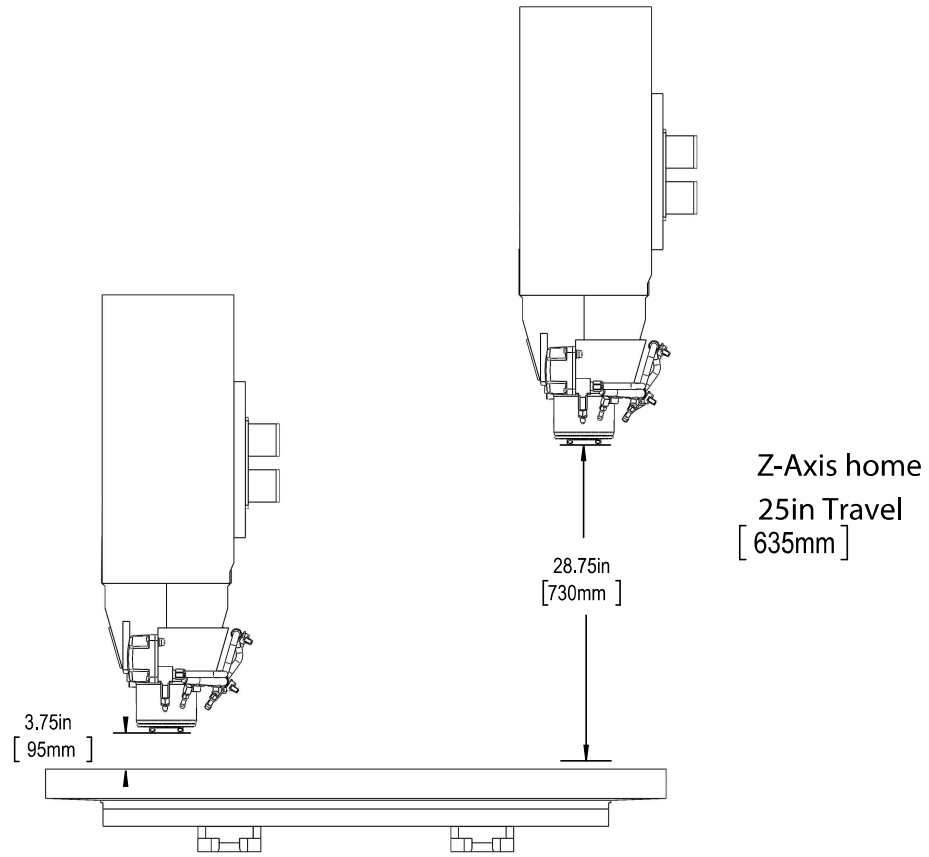
0 Degree Vertical Spindle Position X&Y-Axis Travel and Clearance



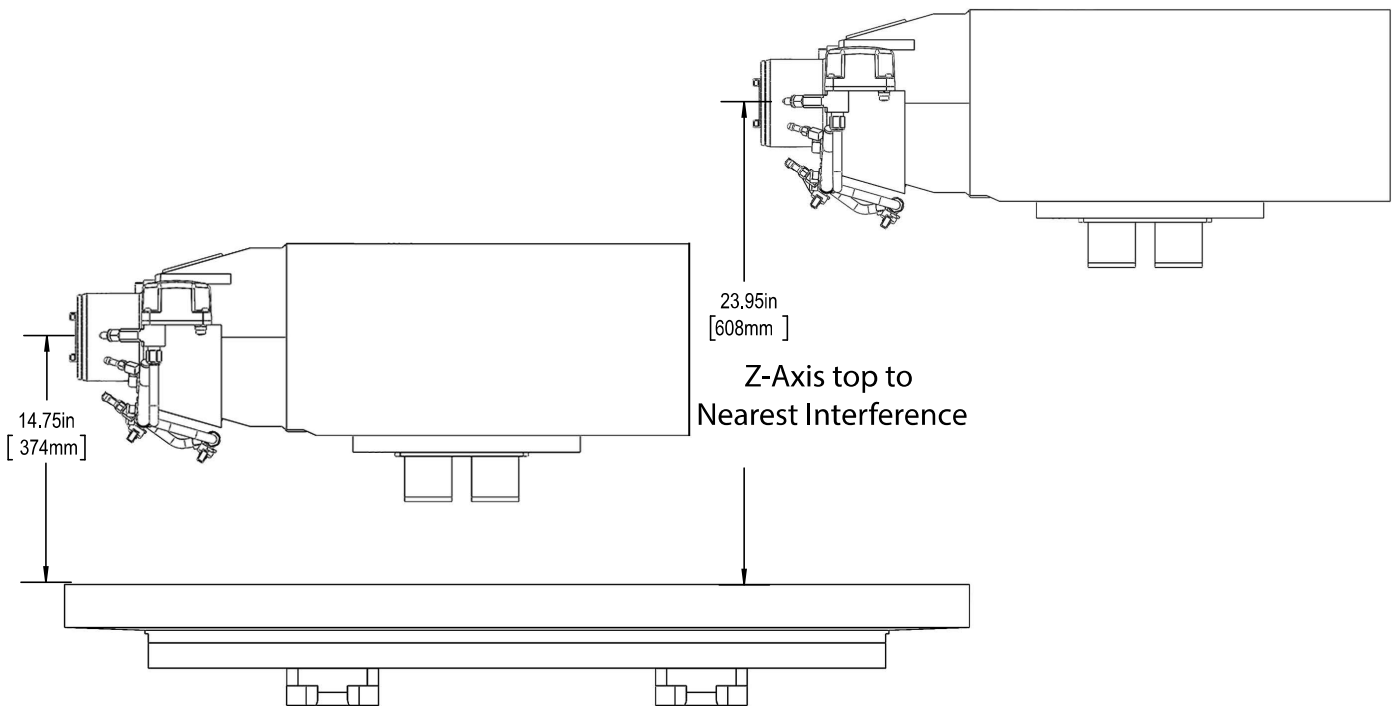
90 Degree Horizontal Spindle Position Work Envelope without Rotary



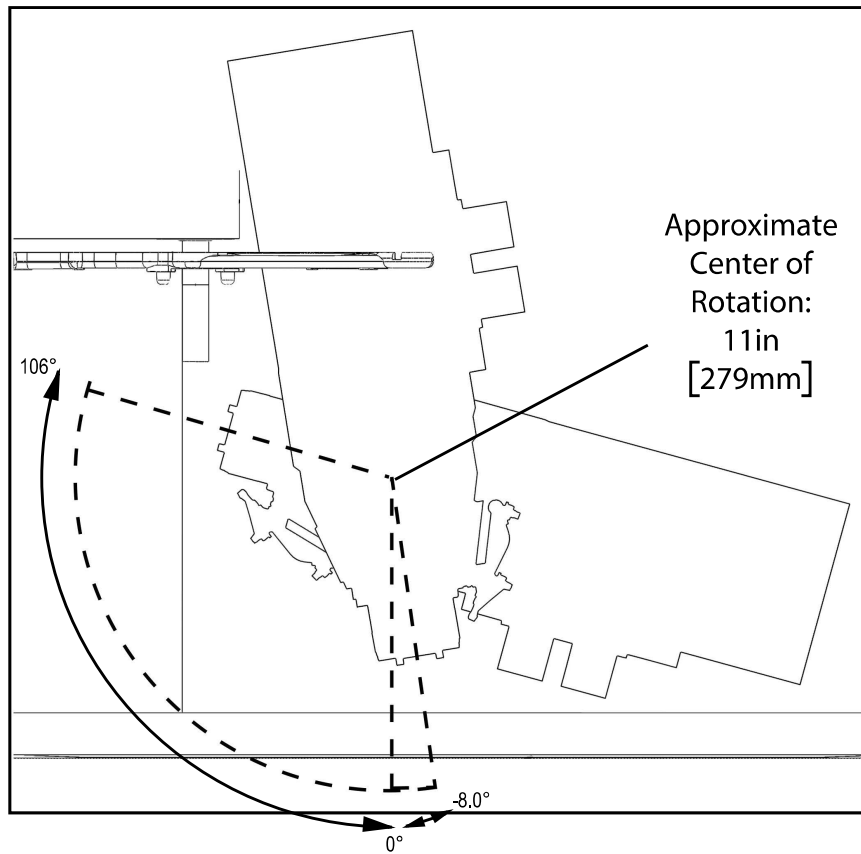
0 Degree Vertical Spindle Position Z-Axis Travel and Clearance



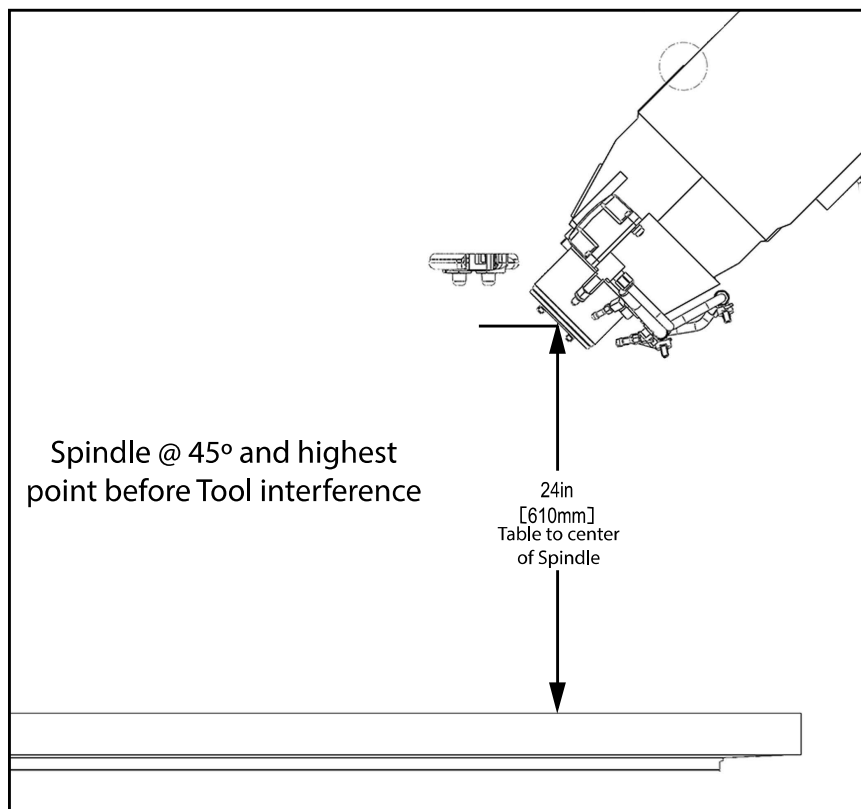
90 Degree Horizontal Spindle Position Z- Axis Work Envelope without Rotary



B-Axis Travels:
-8.0°
To
106°

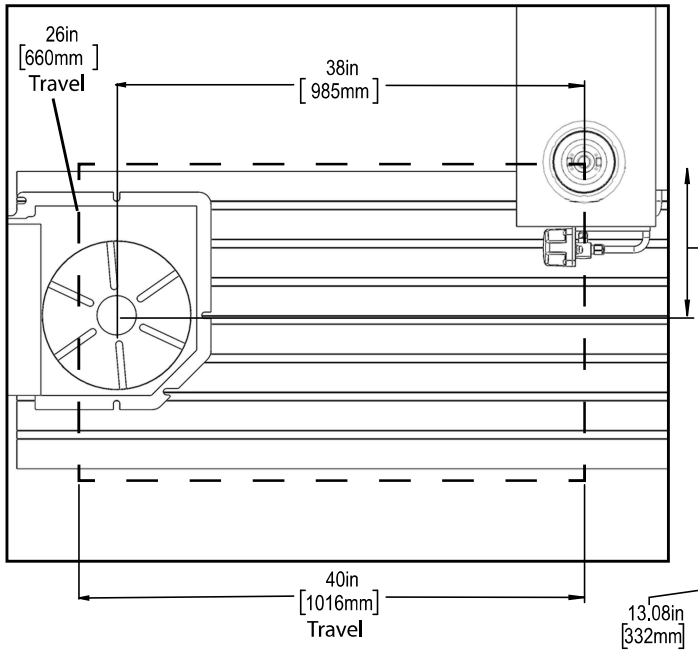


B-Axis @45°

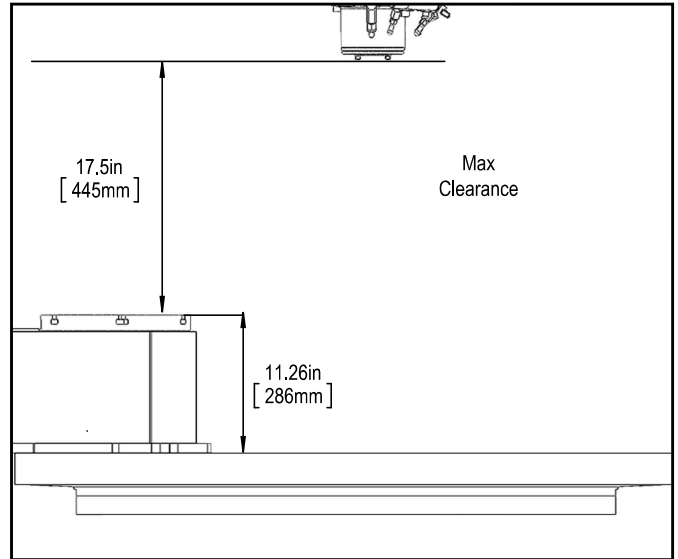


0° Vertical Spindle / Horizontal Rotary

Top View

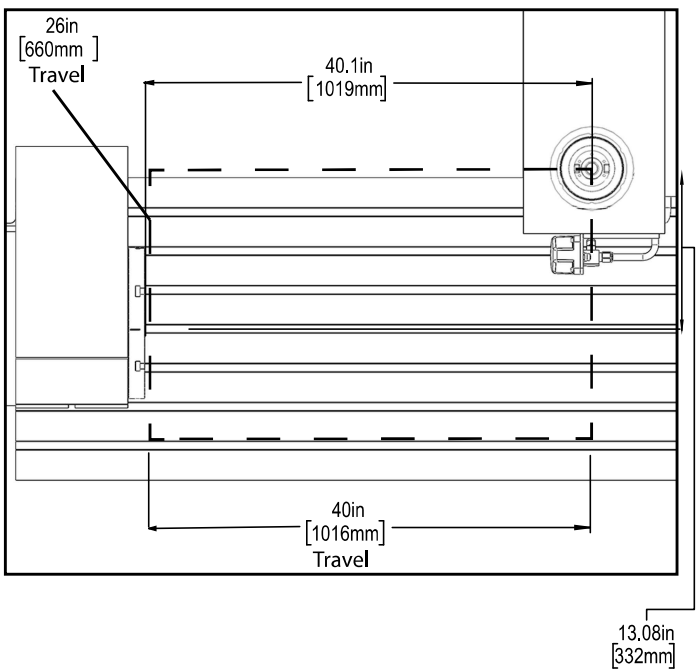


Side View

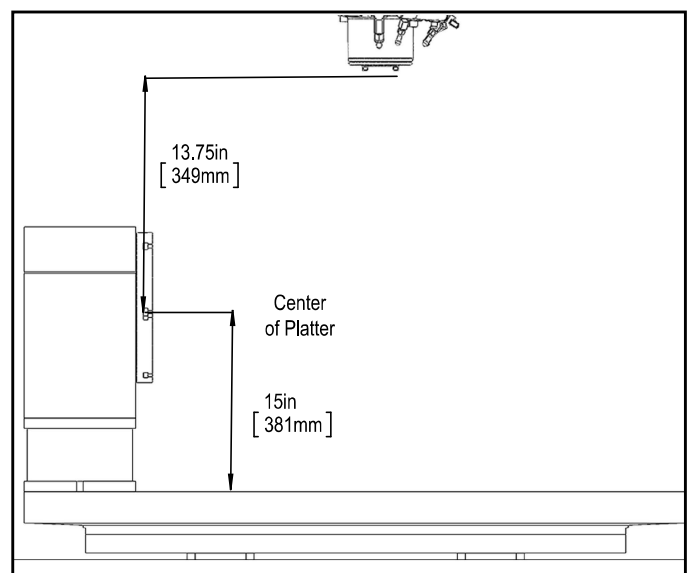


0° Vertical Spindle / Vertical Rotary

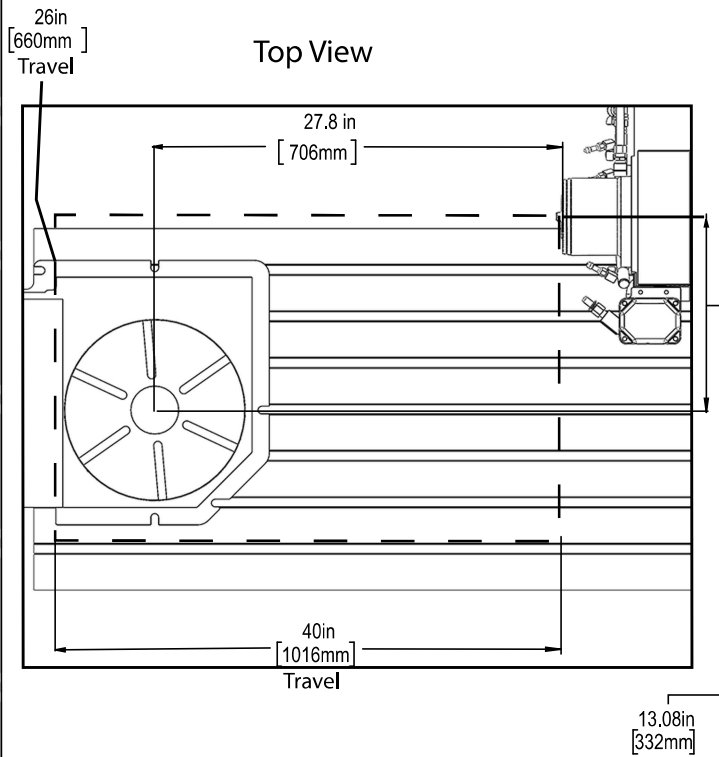
Top View



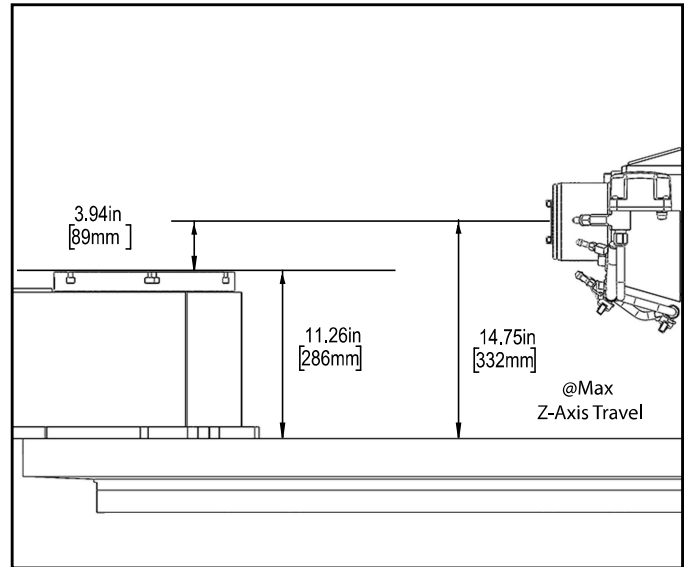
Side View



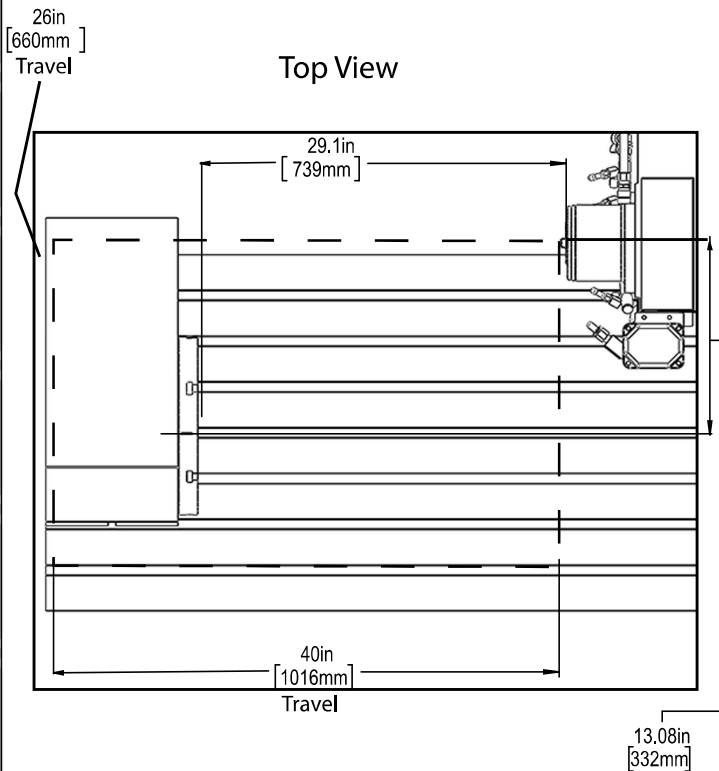
90°Horizontal Spindle / Horizontal Rotary



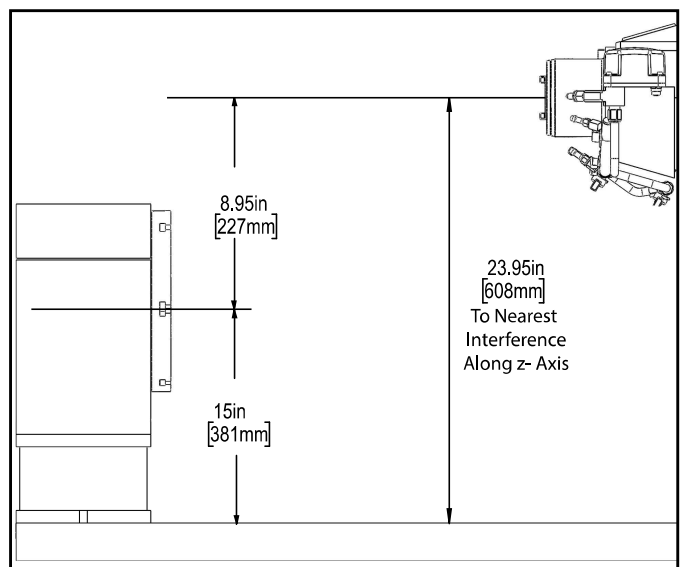
Side View



90°Horizontal Spindle / Vertical Rotary



Side View



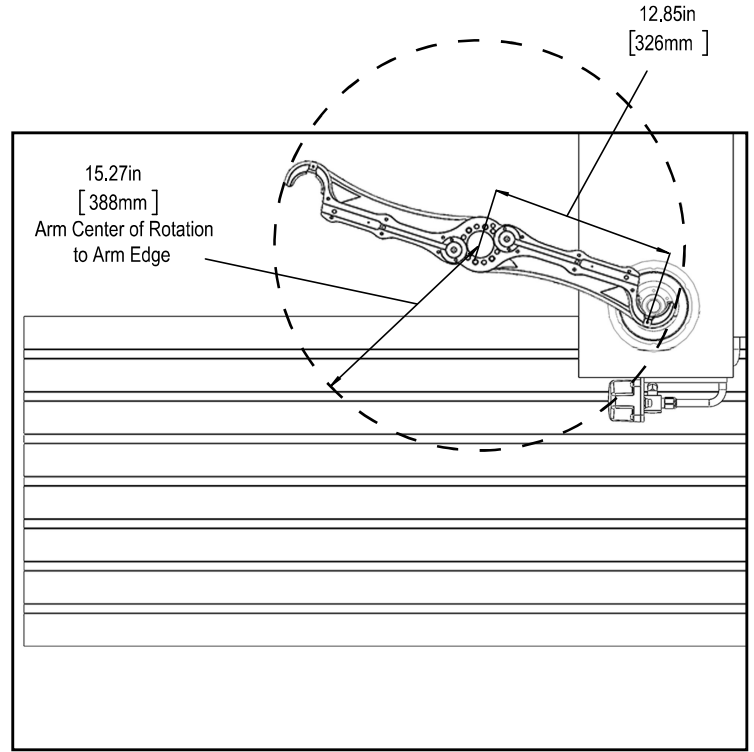
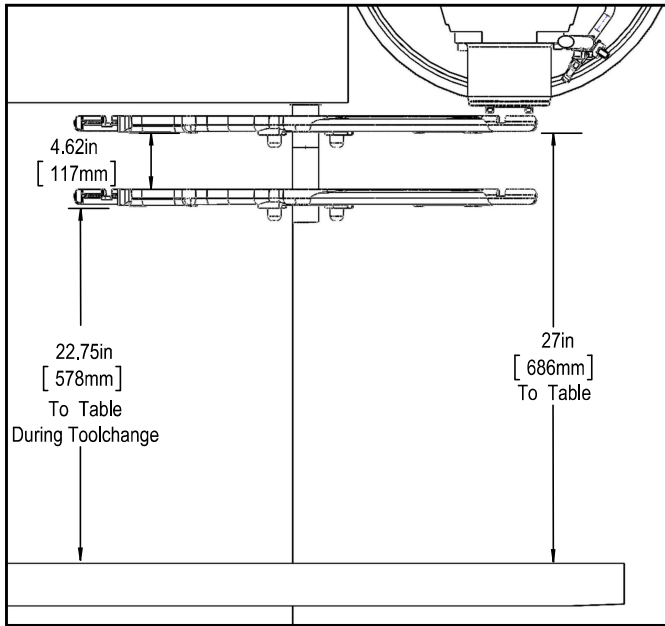
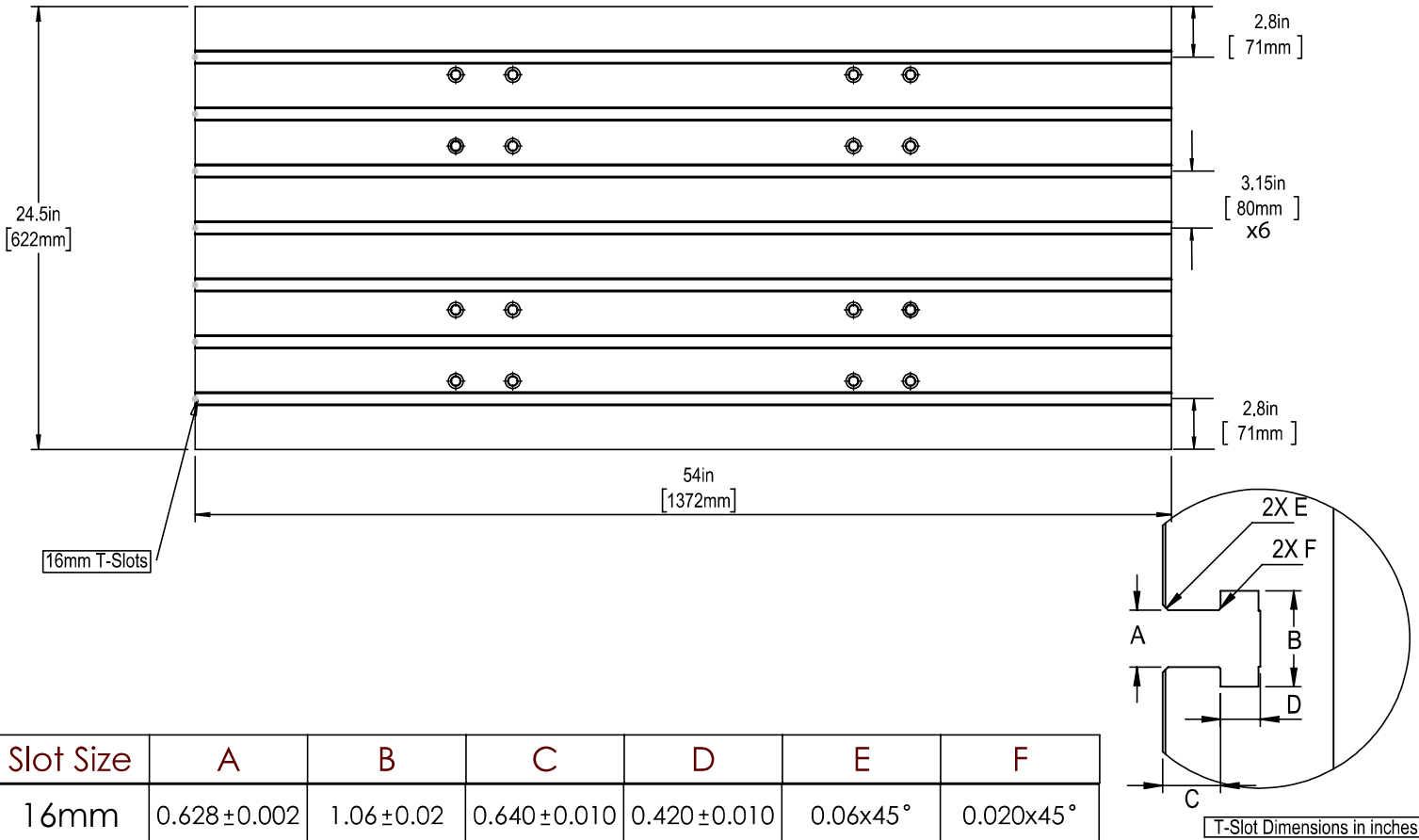


Table Dimensions



All dimensions based on stackup of sheetmetal, subject to variation of 1/2" (13 mm) Due to continual product improvements, dimensions are subject to change without notice